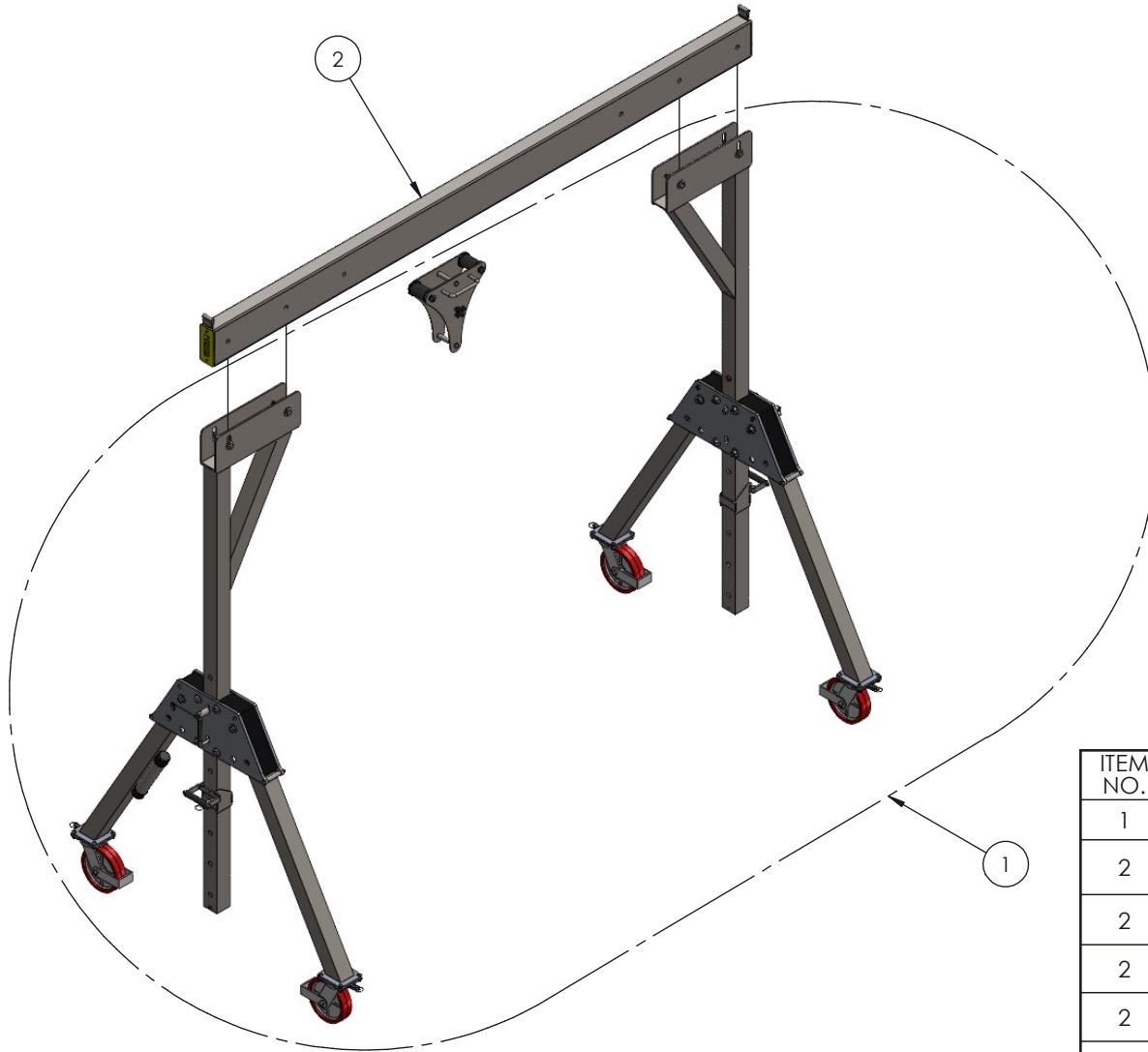
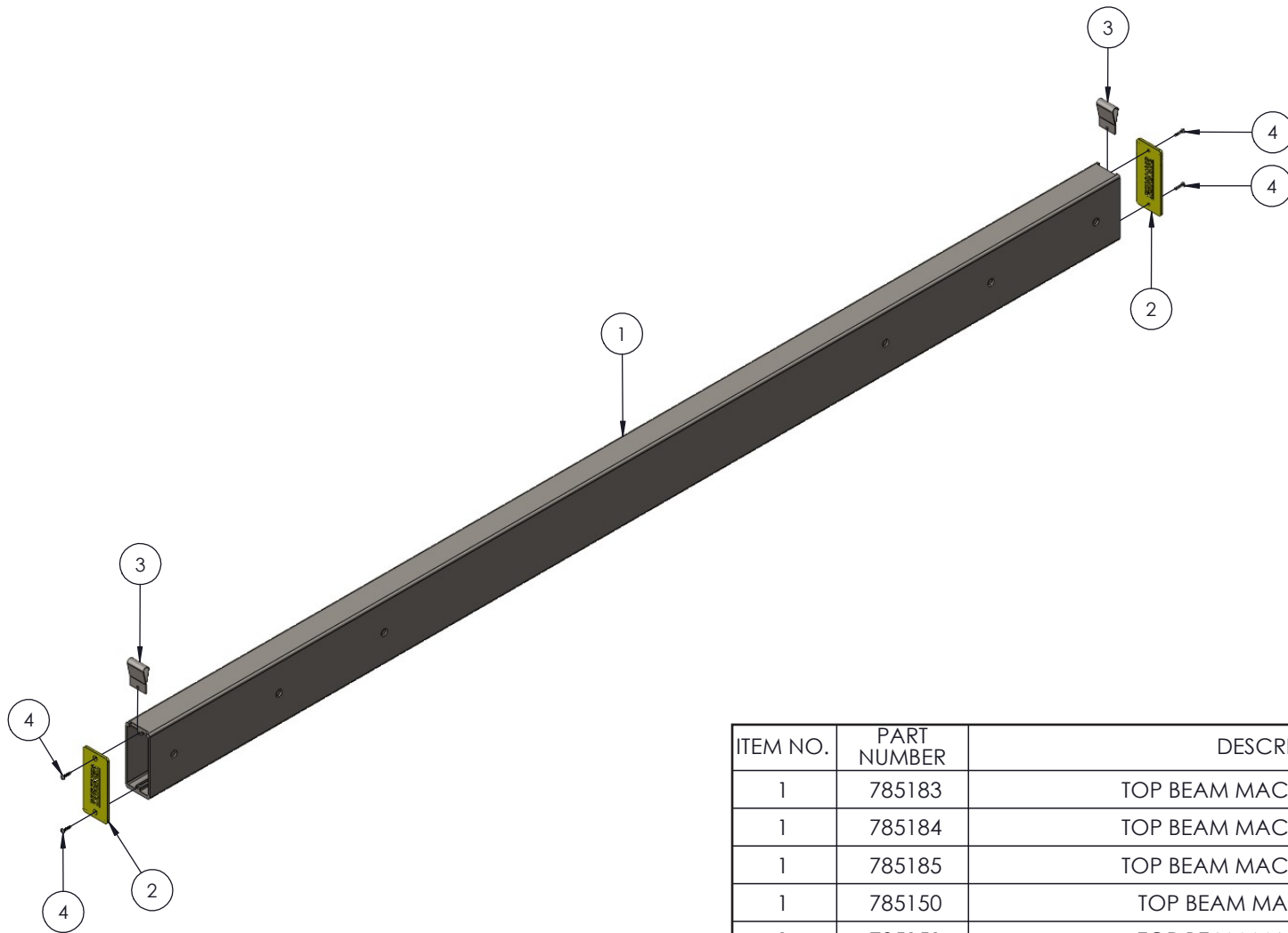


# 2 TON GANTRY ASSEMBLY



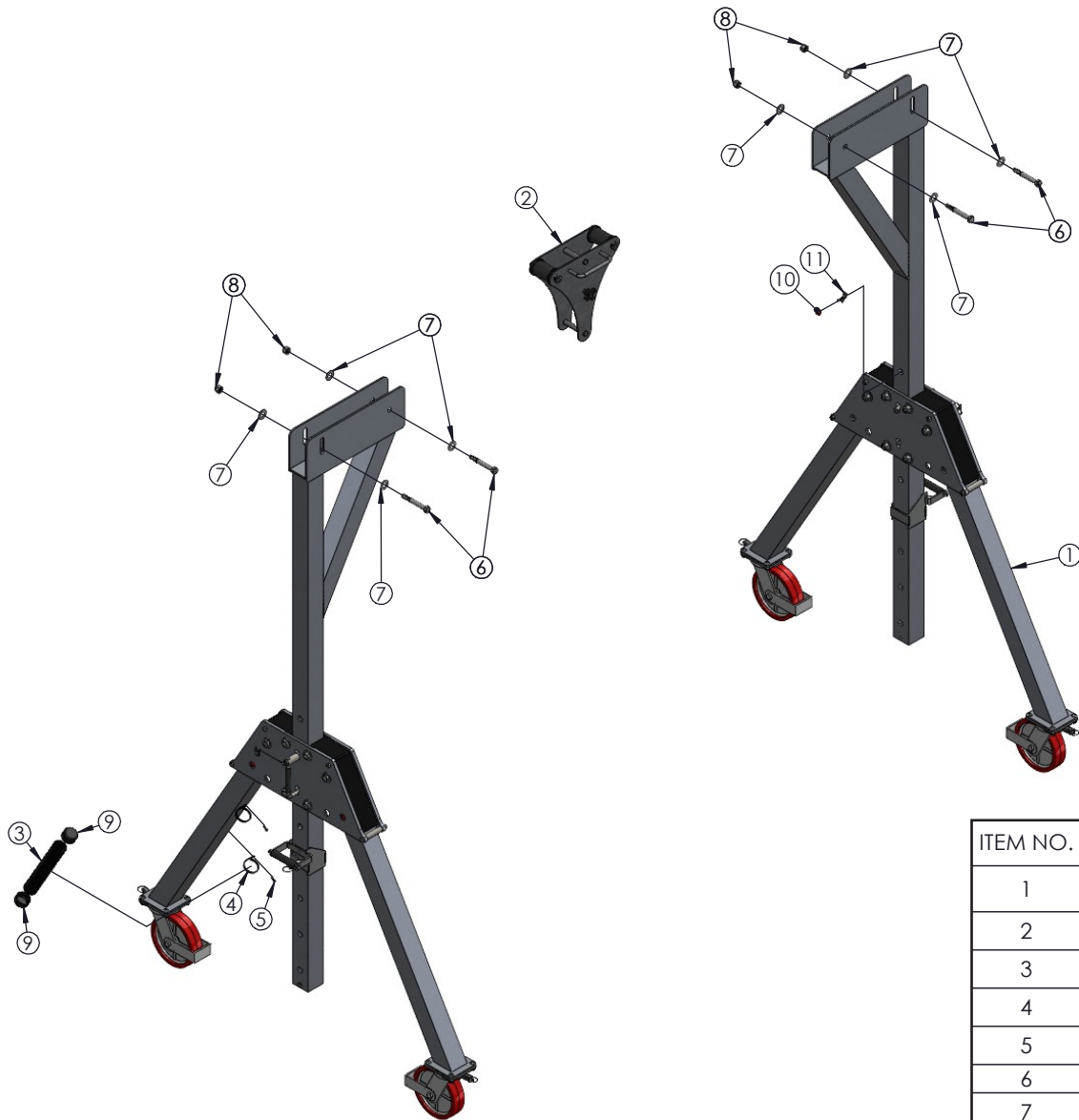
ITEM NO.	PART NUMBER	DESCRIPTION	QTY.
1	785065	GANTRY, A-FRAME/TROLLEY ASSY.	1
2	785070	TOP BEAM ASSY, GANTRY 3 METER	1
2	785071	TOP BEAM ASSY, GANTRY 4 METER	1
2	785072	TOP BEAM ASSY, GANTRY 5 METER	1
2	785073	TOP BEAM ASSY, GANTRY 15 FT	1
2	785074	TOP BEAM ASSY, GANTRY 12 FT	1
2	785075	TOP BEAM ASSY, GANTRY 10 FT	1
2	785076	TOP BEAM ASSY, GANTRY 8 FT	1

# 2 TON TOP BEAM ASSEMBLY



ITEM NO.	PART NUMBER	DESCRIPTION	QTY.
1	785183	TOP BEAM MACHINED, 3 METER	1
1	785184	TOP BEAM MACHINED, 4 METER	1
1	785185	TOP BEAM MACHINED, 5 METER	1
1	785150	TOP BEAM MACHINED, 15 FT	1
1	785151	TOP BEAM MACHINED, 12 FT	1
1	785152	TOP BEAM MACHINED, 10 FT	1
1	785153	TOP BEAM MACHINED, 8 FT	1
2	785170	BEAM END CAP	2
3	785175	BEAM CARRYING STRAP	2
4	776019	SCREW, THD CUTTING 1/4-20 X 1	4

# GANTRY A-FRAME/TROLLEY ASSEMBLY



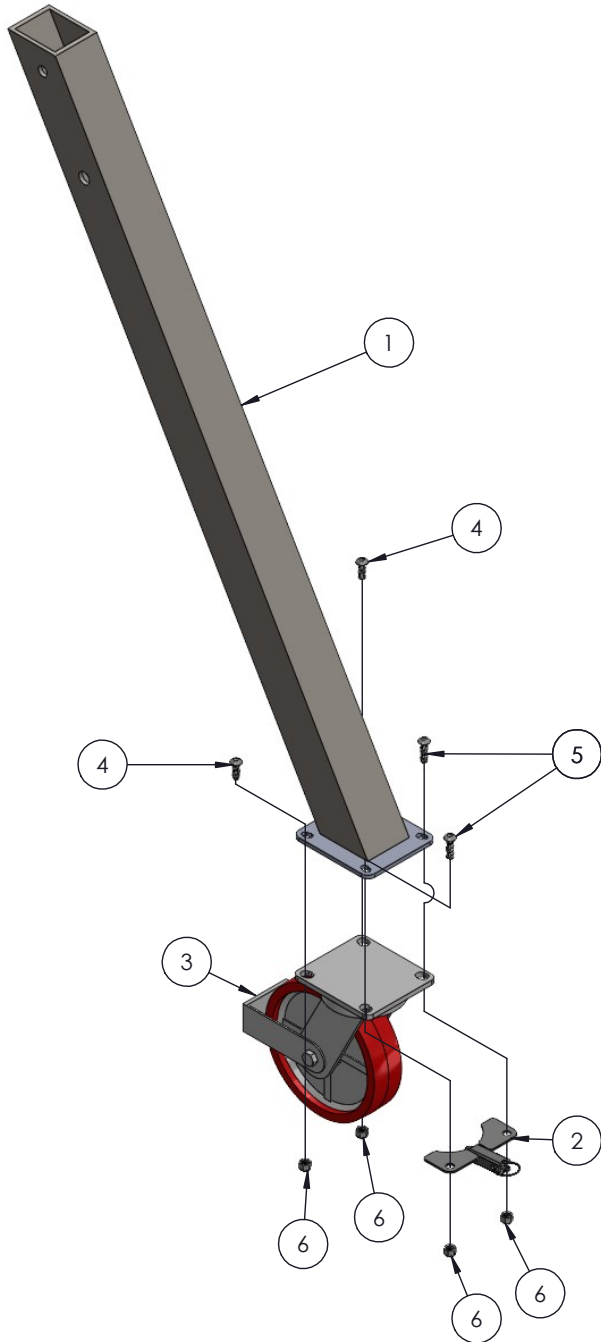
ITEM NO.	PART NUMBER	DESCRIPTION	QTY.
1	785106	A-FRAME ASSEMBLY, GANTRY PINNED	2
2	785160	GH2T TROLLEY ASSEMBLY	1
3	785090	MANUAL TUBE PAINTED , GANTRY	1
4	779215	CLAMP, MANUAL TUBE	2
5	771046	SCREW, BHSC 1/4-20 X 0.75"	2
6	771143	SCREW, HHC 5/8-11 X 4-1/2 PLTD	4
7	773052	WASHER, FLAT 5/8 SAE	8
8	772503	NUT, INSERT JAM 5/8-11	4
9	779905	CAP, 2" OD TUBE, BLACK	2
10	785191	FALL ARRESTOR 2T & 3/4T	2
11	774175	TOGGLE ANCHOR 3/16 X 2"	2

# A-FRAME ASSEMBLY



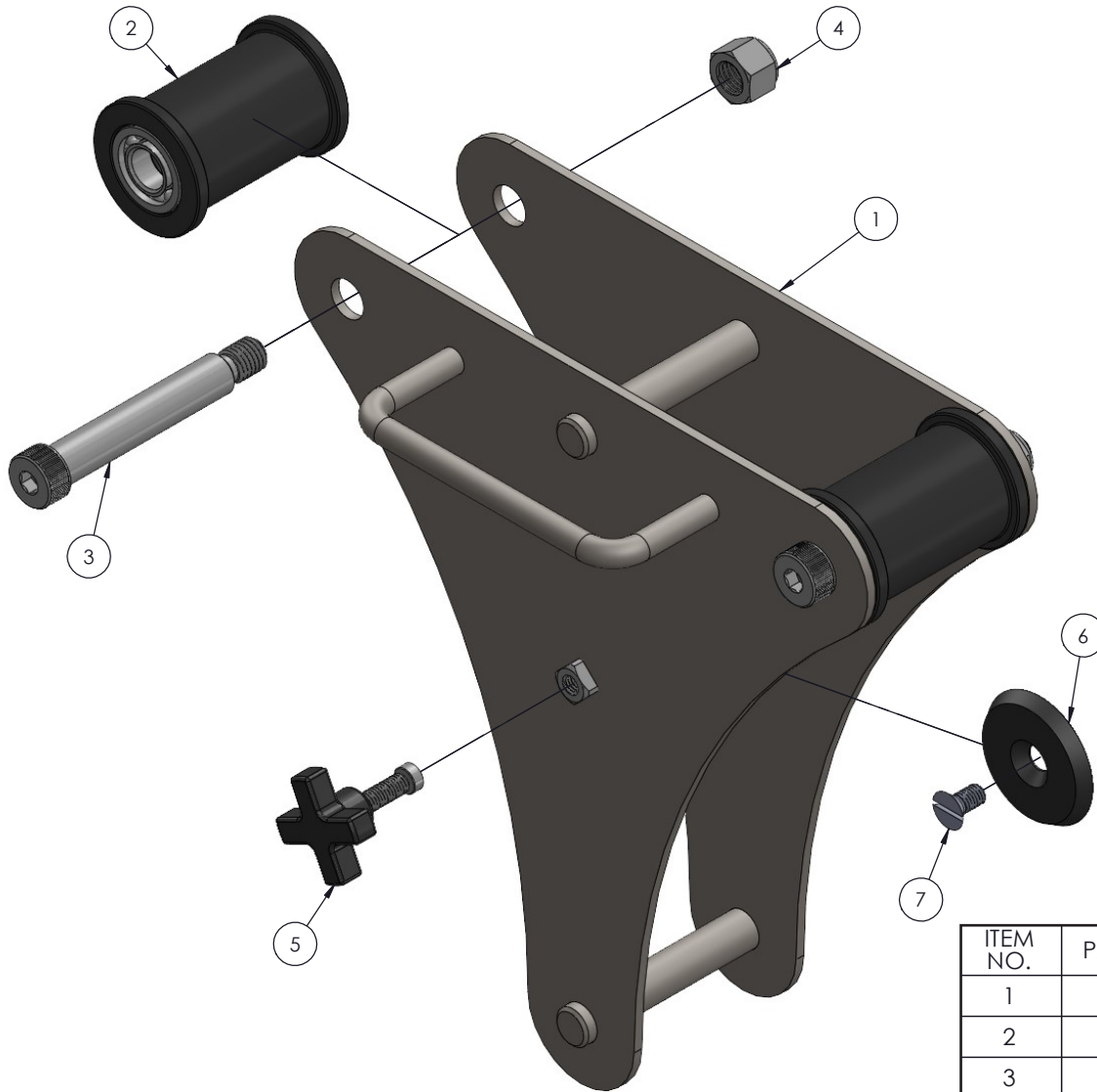
ITEM NO.	PART NUMBER	DESCRIPTION	QTY.
1	785040	TRAP PLATE ASSEMBLY	1
2	785120	BEAM HEIGHT ADJUST, WELDMENT	1
3	785080	LEG ASSEMBLY, GANRTY PINNED	2
4	785130	LIFT HANDLE ASSEMBLY, GANRTY	1
5	785991	PULL HANDLE ASSEMBLY, GANTRY 2 TON	1
6	785085	PUSH BUTTON ASSEMBLY, GANTRY	2
7	771107	SCREW, HHC 3/8-16 X 1	1
8	771144	SCREW, HHC 5/8-11 X 5	2
9	772355	NUT, INSERT LOCK 3/8-16	1
10	772503	NUT, INSERT JAM 5/8-11	2
11	773052	WASHER, FLAT 5/8 SAE	4

# LEG ASSEMBLY



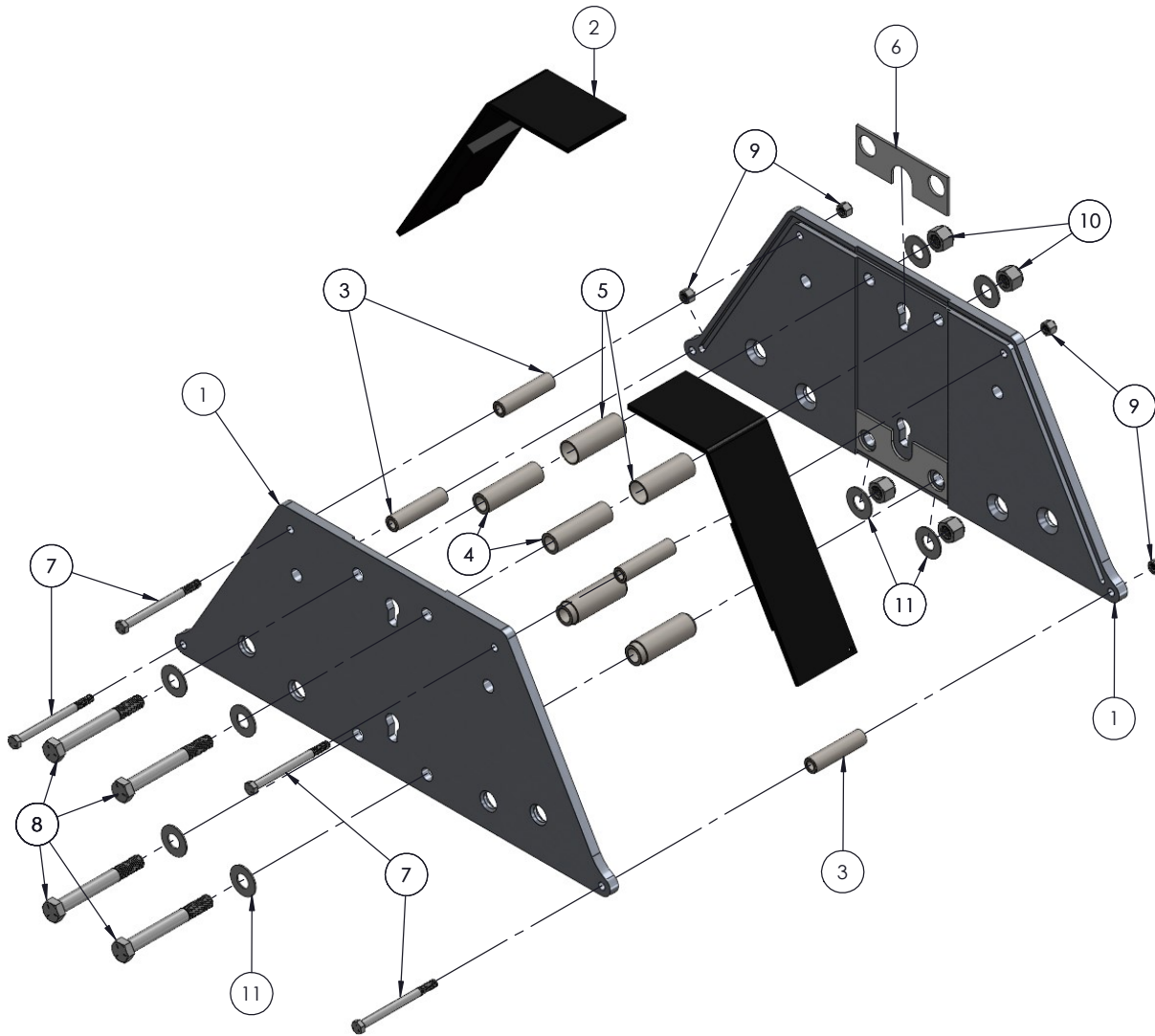
ITEM NO.	PART NUMBER	DESCRIPTION	QTY.
1	785081	LEG WELDMENT, GANTRY PINNED	1
2	785350	SWIVEL LOCK ASSY, GANTRY CASTER	1
3	779041	CASTER, SWIVEL W/BRAKE 8 X 2	1
4	771266	SCREW, BHC 3/8-16 X 1	2
5	771267	SCREW, BHC 3/8-16 X 1-1/4	2
6	772355	NUT, INSERT LOCK 3/8-16	4

# GH2T TROLLEY ASSEMBLY



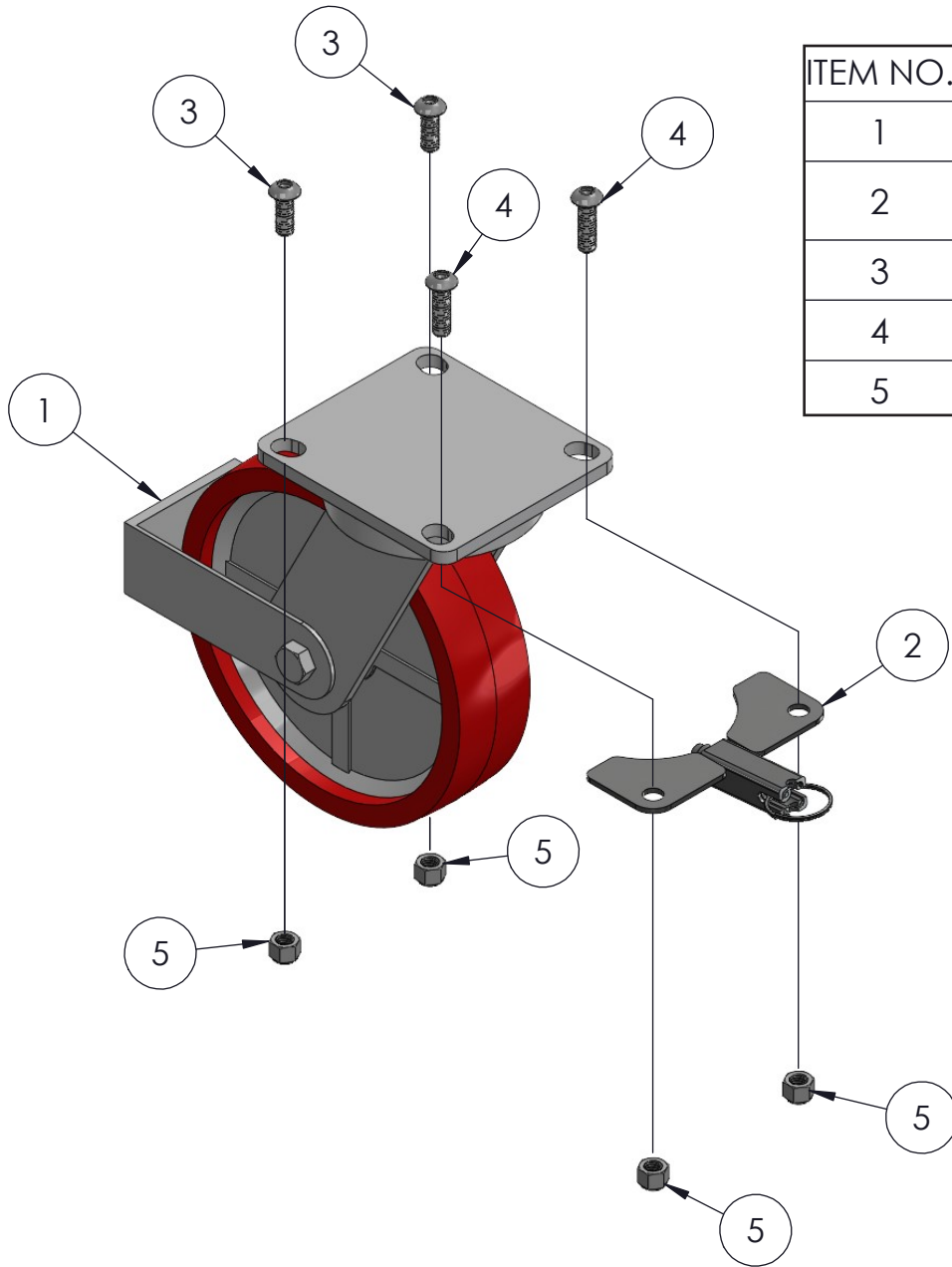
ITEM NO.	PART NUMBER	DESCRIPTION	QTY.
1	785161	TROLLEY WELDMENT	1
2	785167	TROLLEY ROLLER ASSEMBLY	2
3	771355	SCREW, SHOULDER 3/4 X 4	2
4	772376	NUT, INSERT LOCK 5/8-11	2
5	774168	KNOB, FOUR PRONG SWIVEL PAD 3/8-16	1
6	785646	TROLLEY - SLIP PAD	1
7	771164	SCREW, FHSC 3/8-16 X 3/4	1

# TRAP PLATE ASSEMBLY



ITEM NO.	PART NUMBER	DESCRIPTION	QTY.
1	785041	TRAP PLATE MACH W/PLUNGER HOLES	2
2	785050	TRAP PLATE SPACER WELDMENT	2
3	785055	SPACER, BOLT 3/8 X 3.060	4
4	785056	SPACER, BOLT 5/8 X 3.312	4
5	785057	ROLLER, SPACER 1 X 2-7/8	4
6	785058	SLIDE, UHMW 5.5 X 2.0 X 0.125"	4
7	771245	SCREW, HHC 3/8-16 X 4-1/2	4
8	771144	SCREW, HHC 5/8-11 X 5	4
9	772350	NUT, INSERT JAM 3/8 - 16	4
10	772503	NUT, INSERT JAM 5/8-11	4
11	773052	WASHER, FLAT 5/8 SAE	8

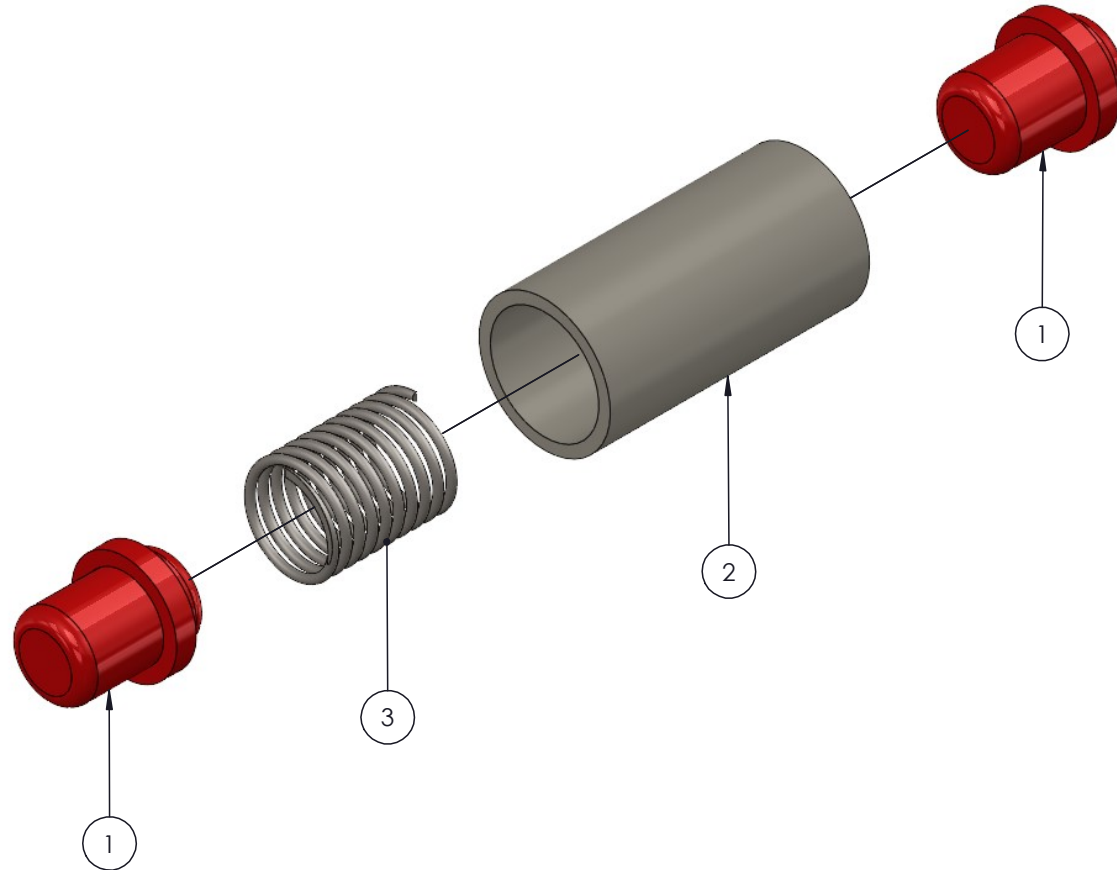
# CASTER KIT ASSEMBLY



ITEM NO.	PART NUMBER	DESCRIPTION	QTY.
1	779041	CASTER, SWIVEL W/BRAKE 8 X 2	1
2	785350	SWIVEL LOCK ASSY, GANTRY CASTER	1
3	771266	SCREW, BHC 3/8-16 X 1	2
4	771267	SCREW, BHC 3/8-16 X 1-1/4	2
5	772355	NUT, INSERT LOCK 3/8-16	4

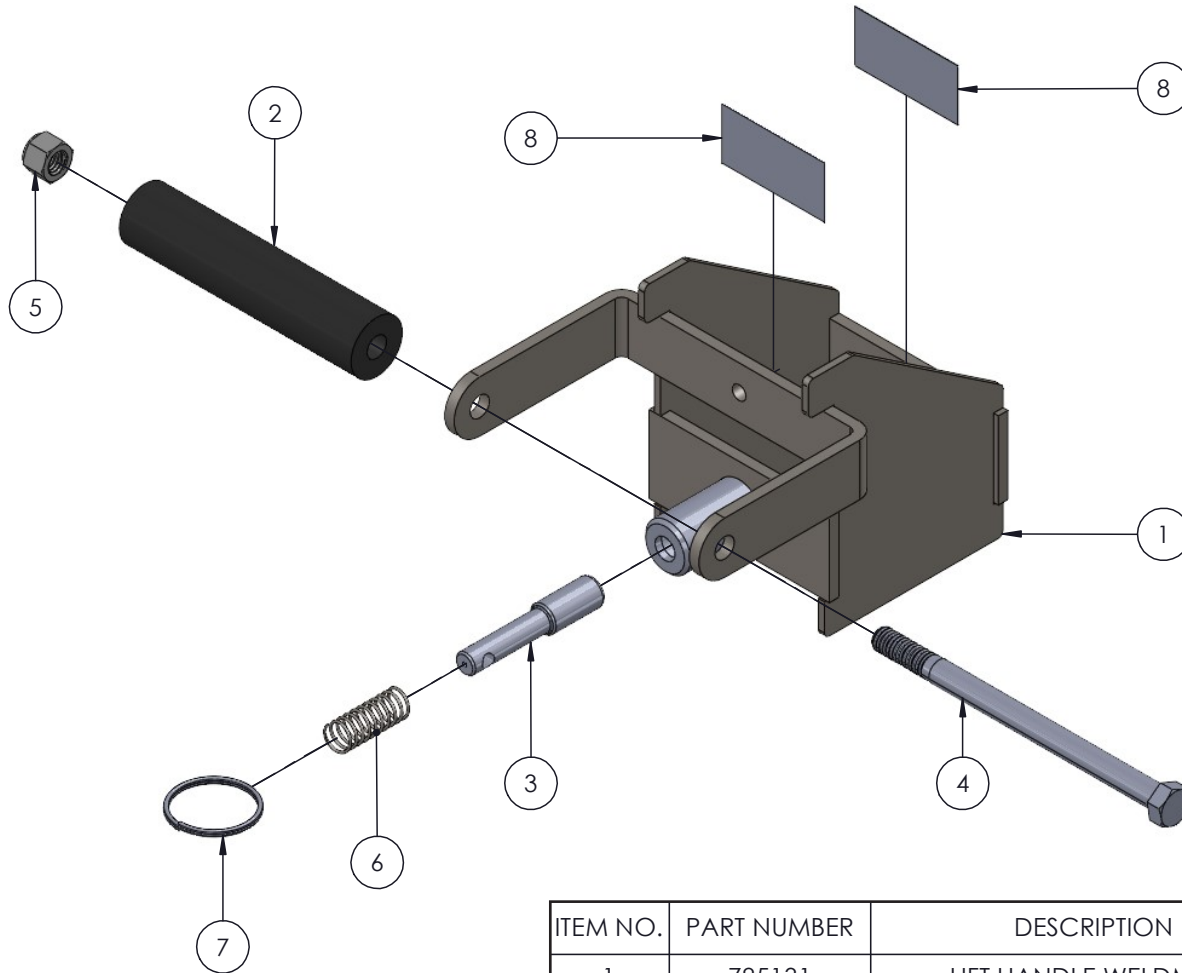


# PUSH BUTTON ASSEMBLY



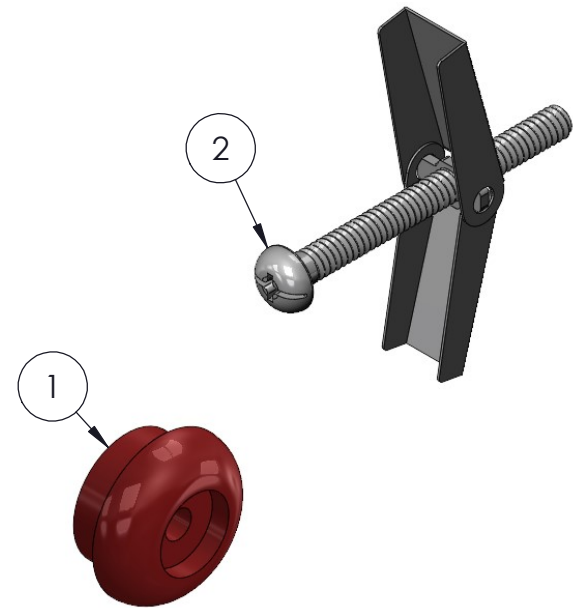
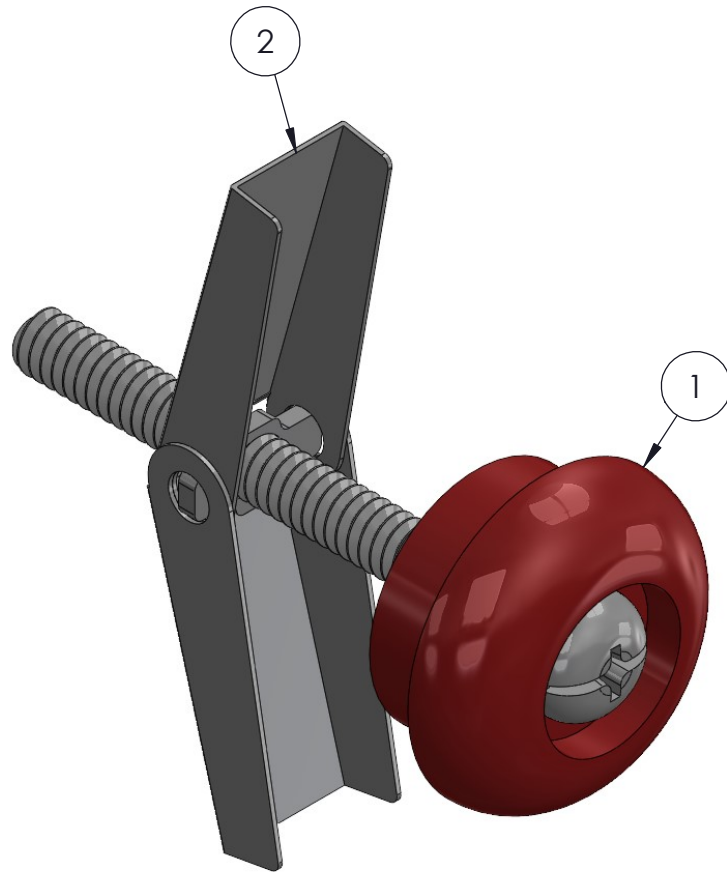
ITEM NO.	PART NUMBER	DESCRIPTION	QTY.
1	785086	PUSH BUTTON, GANTRY	2
2	785087	PUSH BUTTON TUBE, GANTRY	1
3	776221	CENTURY SPRING #2952	1

# LIFT HANDLE ASSEMBLY



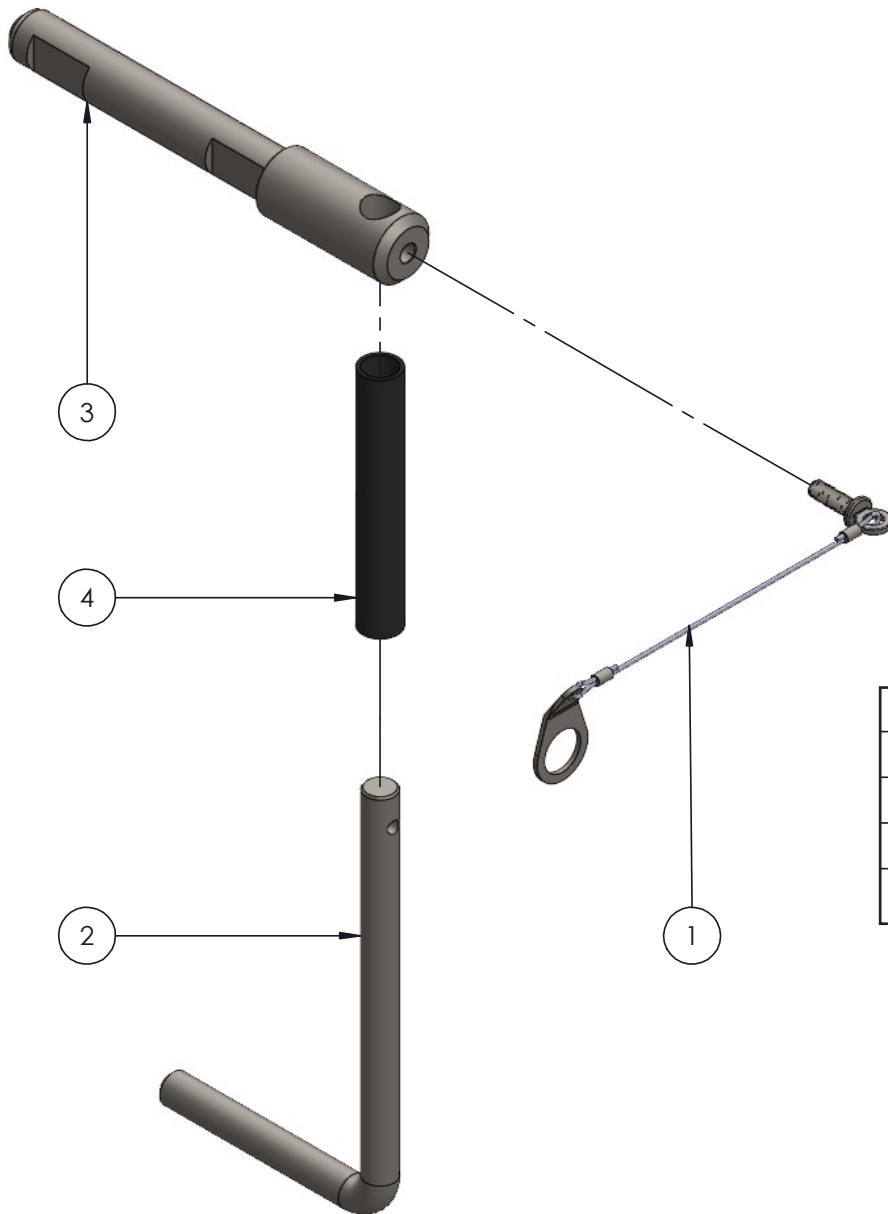
ITEM NO.	PART NUMBER	DESCRIPTION	QTY.
1	785131	LIFT HANDLE WELDMENT	1
2	785136	GRIP, LIFT HANDLE	1
3	782510	PLUNGER	1
4	771111	SCREW, HHC 3/8-16 X 5-1/2"	1
5	772355	NUT, INSERT LOCK 3/8-16	1
6	776212	SPRING, #C0480-042-1250-M	1
7	775110	SPLIT RING 1-1/4" NICKLE PLATED	1
8	776058	.0115 TAPE, UHMW	2

# FALL ARRESTOR ASSEMBLY



ITEM NO.	PART NUMBER	DESCRIPTION	QTY.
1	785191	FALL ARRESTOR 2T & 3/4T	1
2	774175	TOGGLE ANCHOR 3/16 X 2"	1

# PULL HANDLE ASSEMBLY



ITEM NO.	PART NUMBER	DESCRIPTION	QTY.
1	785993	CABLE ASSEMBLY, GANTRY	1
2	785994	GRAB HANDLE, GANTRY	1
3	785996	HANDLE PIN, GANTRY 2 TON	1
4	785998	HANDLE GRIP, BLACK RUBBER 0.50 ID	1