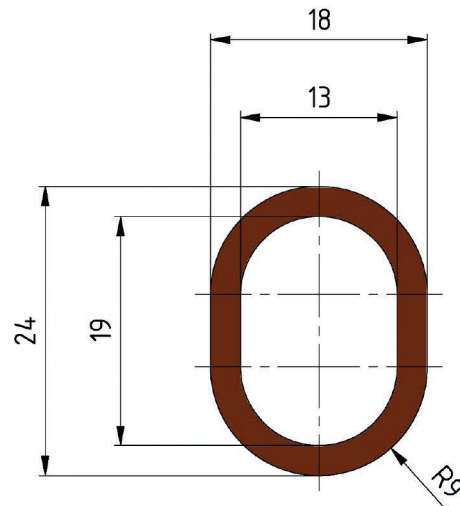
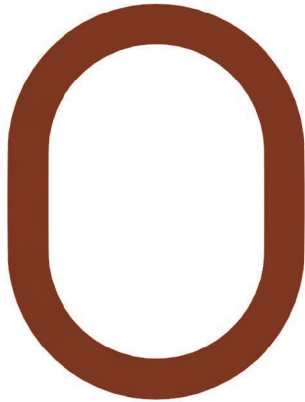


Copper tube oval

Item number E0143-01



Dimensions

B: 24 mm
C: 13 mm
D: 19 mm
A: 18 mm
R: 9 mm

Material and weight

Material: E-Cu
Weight: 1.350 kg/m

Comments

- Cross section: 150 mm²
- Fix length 3.2 m each, weight 4.32 kg



Southwire[™]



A COLAS RAIL COMPANY

Contact Us: Transit@southwire.com