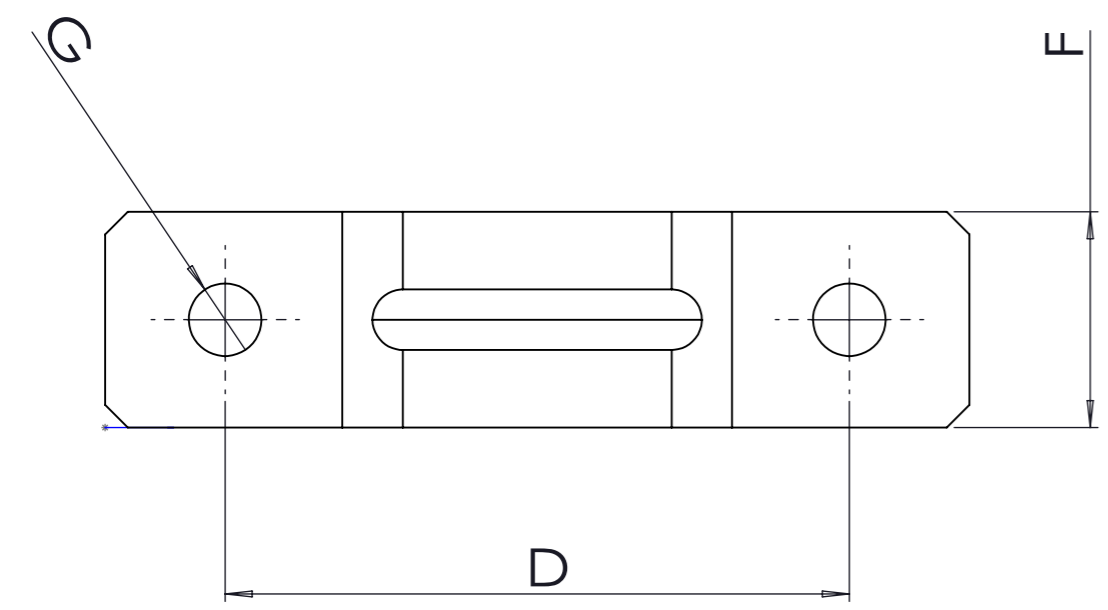
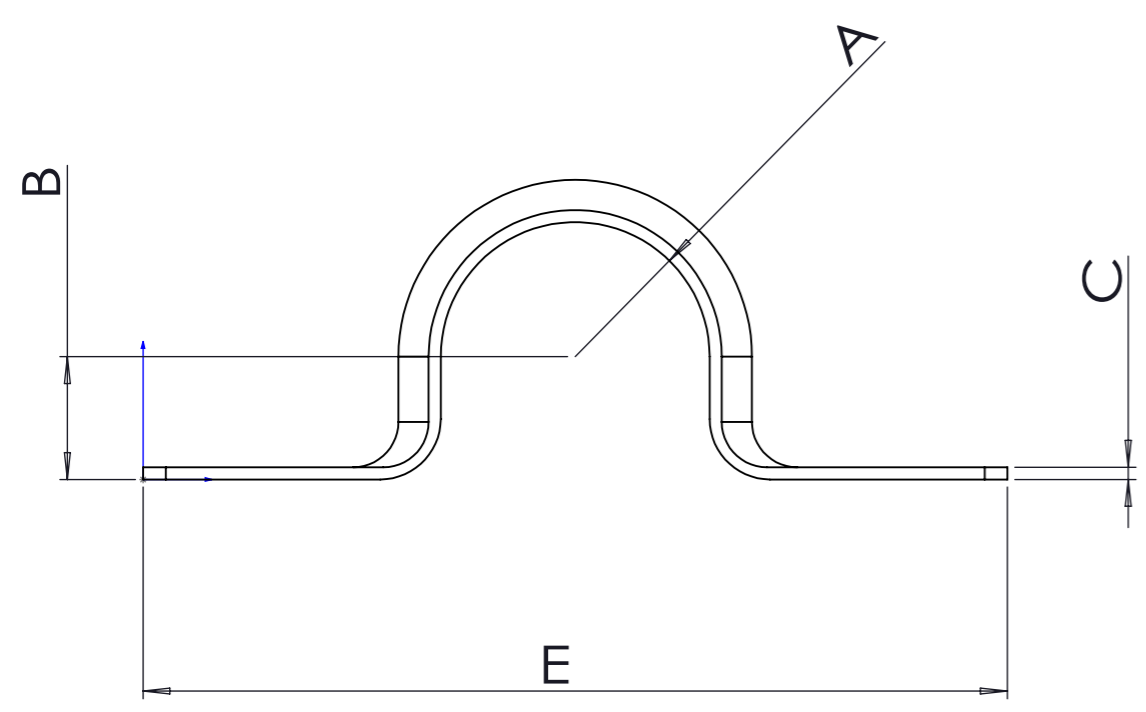


<b>SIDES</b>	<b>BOTTOM</b>
<b>Material:Steel-(C1008-C1018)Galvanized</b>	

PART NO	SIZE	A	B	C	D	E	F	G	STD. PKG.
THSR50	1/2"	0.420	0.390	0.031	1.875	2.500	0.615	0.188	50
THSR75	3/4"	0.525	0.500	0.031	2.250	2.875	0.680	0.188	50
THSR100	1"	0.655	0.620	0.043	2.625	3.375	0.750	0.250	50
THSR125	1 1/4"	0.830	0.800	0.043	3.437	4.188	0.865	0.250	50
THSR150	1 1/2"	0.950	0.920	0.055	3.812	4.625	0.865	0.250	50
THSR200	2"	1.185	1.150	0.055	4.250	5.125	1.000	0.325	50
THSR250	2 1/2"	1.437	1.400	0.075	4.875	5.875	1.000	0.375	25
THSR300	3"	1.750	1.700	0.075	5.500	6.500	1.000	0.375	25
THSR350	3 1/2"	2.000	1.950	0.087	6.375	7.375	1.000	0.375	25
THSR400	4"	2.250	2.200	0.087	7.000	8.000	1.000	0.375	10



**This data sheet is for reference only .GARVIN INDUSTRIES reserves the right to make changes to the design without prior notice.**

<b>DESCRIPTION</b>	<b>STANDARD PACKING</b>	<b>GARVIN INDUSTRIES</b>		
		TITLE <b>STEEL TWO-HOLE STRAPS FOR RIGID</b>		
<b>TRADE REFERENCE TERMS</b>		SEE ABOVE	SIZE A4	DWG NO. THSR50 ~ THSR400