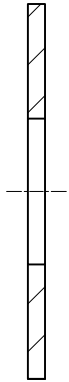
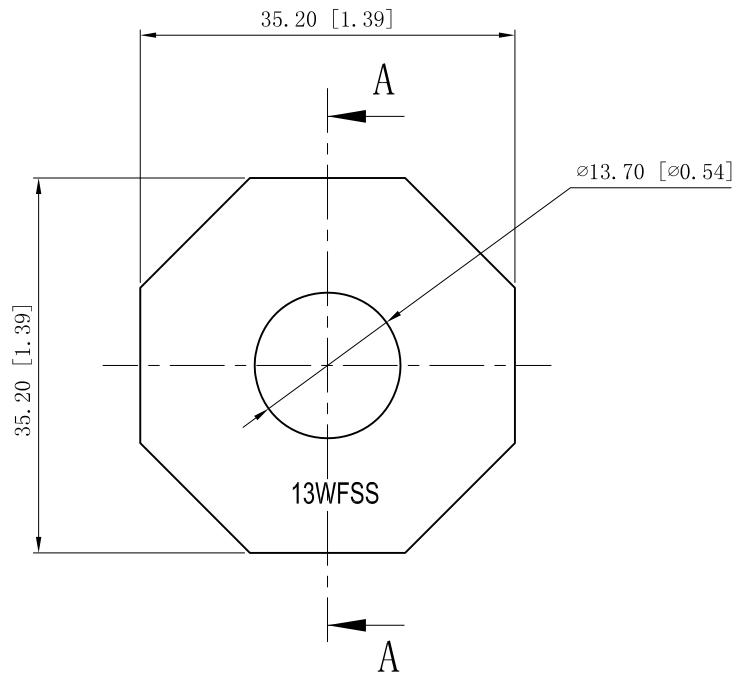


SIDES	BOTTOM
Material: (0.051"-0.059")-tainless steel 316	



VIEW A-A



This data sheet is for reference only .GARVIN INDUSTRIES reserves the right to make changes to the design without prior notice.

DESCRIPTION
TRADE REFERENCE TERMS

STANDARD PACKING	<h1 style="text-align: center;">GARVIN INDUSTRIES</h1>		
100 PCS			
TITLE	ELECTRICAL TRADE WASHERS		
SIZE	DWG NO.		REV
A4	13WFSS		A
DATA SHEET			
www.garvinindustries.com			