



Southwire™

STRAIGHT LIQUIDTIGHT CONNECTORS WITH INSULATED THROAT - ZINC

FEATURES

- Liquidtight, raintight, oiltight
- Straight connectors
- Assembled with a die cast locknut

APPLICATION

- For use with metallic and non-metallic "Type B" liquidtight conduit

STANDARD MATERIAL

- Zinc die cast

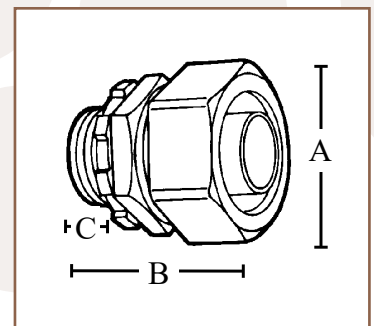
CERTIFICATIONS

- cULus



470

PART #	SIZE	INNER QTY.	MASTER QTY.	WEIGHT/ CASE (LBS.)	A	B	C
470	3/8" 1/2" KO	20	200	36	1.446"	1.26"	.40"
471	1/2"	20	200	40	1.50"	1.385"	.42"
472	3/4"	10	100	23	1.603"	1.72"	.42"
473	1"	5	50	20	1.792"	1.90"	.55"
474	1-1/4"	5	50	30	1.90"	2.29"	.546"
475	1-1/2"	2	20	15	1.737"	2.633"	.52"
476	2"	2	20	24	2.08"	3.156"	.585"
477	2-1/2"	---	1	1	3.025"	4.205"	.775"
478	3"	---	1	2	3.53"	4.91"	.92"
479	3-1/2"	---	1	3	3.66"	5.47"	.92"
480	4"	---	1	4	3.875"	5.925"	.987"



Rev. 0, 01/23

**BUILT FOR DURABILITY.
BUILT FOR RELIABILITY.
BUILT FOR WORK.™**

1-855-798-6657 | SOUTHWIRE.COM

©2023 Southwire Company, LLC. All rights reserved.
*Registered Trademark & ™Trademark of Southwire Company, LLC.