



Southwire™

TOP-BITE COMBINATION COUPLINGS

EMT COMPRESSION TYPE TO FLEX

FEATURES

- Compression type
- One piece tubular construction affording extra strength
- Dual gripping saddle clamps
- Saddle clamps ride up and down on screw for ease of installation
- Tri combo head screw

APPLICATION

- To connect Flex, AC, and MC cables to EMT conduit

STANDARD MATERIAL

- Steel

STANDARD FINISH

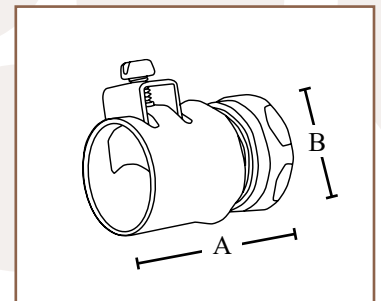
- Zinc plated



430TBS



PART #	SIZE	INNER QTY.	MASTER QTY.	WEIGHT/ CASE (LBS.)	CABLE OPENING		A	B
					MIN.	MAX.		
430TBS	3/8"	25	125	17	.28"	.64"	1.375"	1.25"
431TBS	1/2"	25	125	22	.635"	.93"	1.563"	1.25"
432TBS	3/4"	20	100	20	.81"	1.125"	1.563"	1.438"



Rev. 0, 01/23

**BUILT FOR DURABILITY.
BUILT FOR RELIABILITY.
BUILT FOR WORK.™**

1-855-798-6657 | SOUTHWIRE.COM

©2023 Southwire Company, LLC. All rights reserved.
*Registered Trademark & ™Trademark of Southwire Company, LLC.