



southwiretools.com



1-855-SW-TOOLS
Toll Free Technical Help
Assistance technique gratuite
Línea de Ayuda Técnica Gratuita

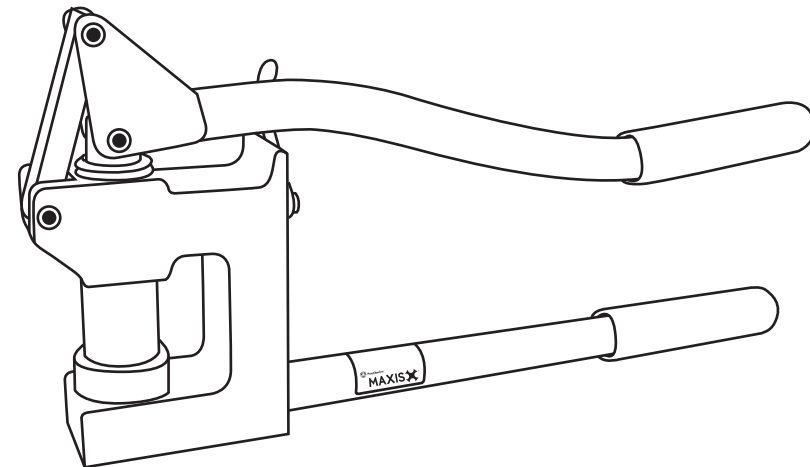
Product distributed by/Produit distribué par
Southwire Company, LLC.
One Southwire Drive, Carrollton, GA 30119
©2016 Southwire Company, LLC.
All rights reserved. Tous droits réservés.

03/17
MSP-01 Manual



OPERATING and MAINTENANCE INSTRUCTIONS

Manual Stud Punch (MSP-01)



**READ AND UNDERSTAND ALL OF THE
INSTRUCTIONS AND SAFETY INFORMATION IN
THIS MANUAL BEFORE OPERATING OR
SERVICING THIS TOOL**



TABLE OF CONTENTS

Important Safety Information.....	2 - 4
Description of Operation.....	5
Identification.....	6
Setup and Operation.....	7
Maintenance.....	8
Warranty.....	9 - 10

SAFETY FIRST

Safety is essential in the use and maintenance of Southwire Contractor Equipment. This instruction manual and any markings on the tool provide information for avoiding hazards and unsafe practices related to the use of this tool. Observe all of the safety information provided.

SAFETY ALERT SYMBOLS

These symbols are used to call attention to hazards or unsafe practices related that could result in injury or property damage. The three safety words defined below indicate the severity of the hazard. The message after the signal word provides information for preventing or avoiding the hazard.



DANGER – Immediate hazards, that if not avoided WILL result in severe injury or death.



WARNING - Hazards, that if not avoided MAY result in severe injury or death.



CAUTION – Hazards, or unsafe practices that, if not avoided MAY result in severe injury or death.

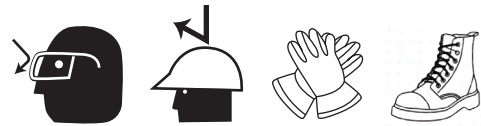
IMPORTANT SAFETY INFORMATION



WARNING

- Read and understand all instructions and safety information in this manual before operating or servicing this tool.

FAILURE TO OBSERVE THESE WARNINGS COULD RESULT IN SEVERE INJURY OR DEATH.



WARNING - Personal Safety Hazards

- Only qualified persons should use the Manual Stud Punch.
- Wear eye protection, hard hat, cut resistant gloves and safety toe shoes when using this tool.
- Do not use tool while tired or under the influence of drugs, alcohol, or medication.
- Keep body parts and loose clothing away from moving parts.
- Always follow safety procedures as shown in this manual.

FAILURE TO OBSERVE THESE WARNINGS COULD RESULT IN SEVERE INJURY OR DEATH.

⚠ DANGER: Electrical Shock Hazards.

- This is not an insulated tool, contact with live circuits could result in severe injury or death.

⚠ WARNING: Entanglement Hazard

IMPORTANT SAFETY INFORMATION

- Do not operate this tool while wearing loose fitting clothing. Retain long hair.
- Keep hands away from cup and dies while operating punch. Could pinch or crush hands.
- Do not add extensions (cheaters) to the handles. Using excessive force may result in injury or damage to the tool. If excessive force is required, check and verify proper set up instructions.

FAILURE TO OBSERVE THESE WARNINGS CAN RESULT IN SEVERE INJURY OR DEATH.

⚠ WARNING: Tool Use Hazards

- Use this tool for the manufacturers intended purpose only. Use other than that described in this manual can result in injury or property damage.
- Inspect all aspects of the electrical box to ensure safety.
- Only qualified personnel should use knockout equipment.
- Keep all decals clean and legible, and replace when necessary.

⚠ CAUTION:

- Read and understand all of the instructions and safety information in this manual before operating or servicing this tool.

FAILURE TO OBSERVE THESE CAUTIONS CAN RESULT IN INJURY OR PROPERTY DAMAGE

⚠ CAUTION: Make sure bystanders are clear of the work area when drilling and performing knockouts. Nearby personnel can be injured if there is flying debris.

- Do not use the if dies are damaged as this can cause binding leading to tool malfunction.
- If tool is in disrepair, **DO NOT USE.** Have tool serviced at an Authorized Southwire Repair Center

FAILURE TO OBSERVE THESE CAUTIONS CAN RESULT IN INJURY OR PROPERTY DAMAGE

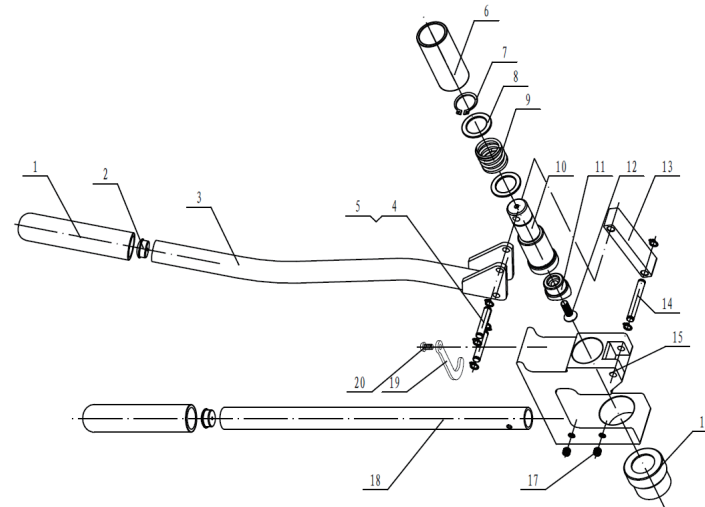
PURPOSE OF THIS MANUAL

This manual is intended to familiarize all personnel with the safe operation and maintenance procedures for the following Southwire Tools and Equipment: MANUAL STUD PUNCH.
 Keep this manual available to all personnel. Replacement manuals are available upon request at no charge at www.southwiretools.com.

DESCRIPTION OF OPERATION

Manual Stud Punch is a tool that will punch holes in 20 structural steel studs. Punch comes with two punch dies in sizes 7/8" (22.5mm) and 1-11/32" (34.1mm).

IDENTIFICATION



Stud Punch Item Number	Quantity	Unit	STOCK NO.	Manufacturer Stock #	DESCRIPTION
1	2	Ea.	64-19-53-01	MSP-01	Fixed Handle Grip
2	2	Ea.	64-19-54-01	MSP-02	End Cap
3	1	Ea.	64-19-55-01	MSP-03	Flexible Handle
4	2	Ea.	64-19-56-01	MSP-04	Pin
5	4	Ea.	64-19-57-01	MSP-05	Axial Spring Collar
6	1	Ea.	64-19-58-01	MSP-06	Guide Sleeve
7	6	Ea.	64-19-59-01	MSP-07	Axial Spring Collar
8	2	Ea.	64-19-60-01	MSP-08	Washer
9	1	Ea.	64-19-61-01	MSP-09	Spring
10	1	Ea.	64-19-62-01	MSP-10	Strut
11	1	Ea.	64-19-63-01	MSP-11	Upper Mold 7/8" Cutter
12	1	Ea.	64-19-64-01	MSP-12	Screw
13	1	Ea.	64-19-65-01	MSP-13	Connecting Rod
14	1	Ea.	64-19-66-01	MSP-14	Connecting Rod Pin
15	1	Ea.	64-19-67-01	MSP-15	Main Body Housing
16	1	Ea.	64-19-68-01	MSP-16	Lower Mold 7/8" Cup
17	2	Ea.	64-19-70-01	MSP-17	Screw
18	1	Ea.	64-19-71-01	MSP-18	Fixed Handle Grip
19	1	Ea.	64-19-72-01	MSP-19	Screw
20	1	Ea.	64-19-73-01	MSP-20	Hanger
21	1	Ea.	64-19-74-01	MSP-21	Upper Mold 1-11/32" Cutter
22	1	Ea.	64-19-75-01	MSP-22	Lower Mold 1-11/32" Cup

SET UP AND OPERATION

1. Position the Manual Stud Punch on the metal stud. Squeeze the handles together. The slug will fall free when the hole is complete.

NOTE: IF EXCESSIVE FORCE IS REQUIRED, STOP AND INSPECT THE TOOL AND THE MATERIAL.

EXCHANGE PUNCH SIZE

Manual Stud Punch includes two sizes, 7/8" and 1-11/32".

1. Remove cutter by unscrewing hex bolt using a #5 hex wrench. (Fig. 1)
2. Remove cup by loosening hex bolt closest to cup located on C-frame. (Fig. 2)
3. Drop in desired cutter and tighten with hex screw.
4. Slide in cup and tighten hex bolt.

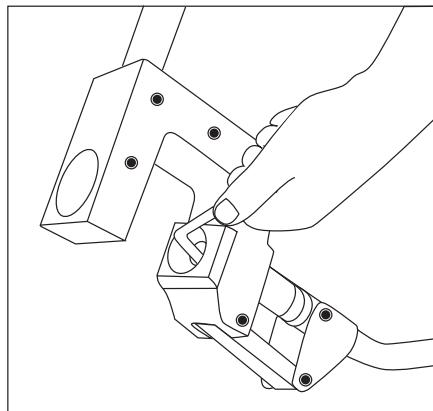


Fig 1

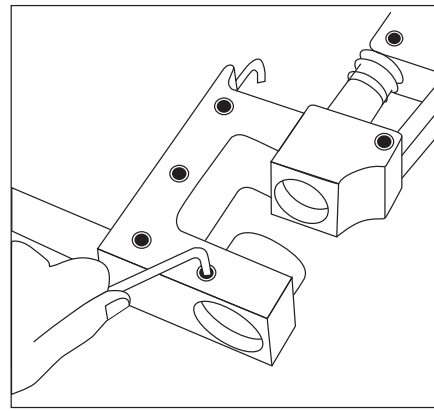


Fig 2

NOTE: CUP AND CUTTER SIZES MUST MATCH; THEY WILL NOT WORK PROPERLY IF INTERCHANGED.

MAINTENANCE

1. Lubricate all moving parts with lightweight oil.

SPECIFICATIONS

- Model# MSP-01
- Stock # 57-57-62-01
- Height – 18.5"
- Width – 8.55"
- Depth – 2.25"
- Weight – 7.5lbs
- Capacity – 20-gauge Structural Steel Studs

WARRANTY ON SOUTHWIRE CONTRACTOR EQUIPMENT

What Does This Warranty Cover?

Five-Year Limited Warranty on Contractor Equipment

Under Southwire's Contractor Equipment 5-Year Limited Warranty, Southwire Company, LLC warrants that all Southwire Contractor Equipment will be free from manufacturer defects for a period of five (5) years from the date of the original end user's purchase. However, electrical components and consumable parts such as ropes, blades, dies, draw studs, grips, are excluded from this 5-Year Limited Warranty and are subject to the One -Year warranty terms. Under this 5-Year Limited Warranty, the following are also excluded and Southwire Company, LLC will have no liability for any of the following: normal wear and tear resulting from product use and damage arising out of misuse, abuse, modification, and improper product maintenance. This warranty also does not cover Southwire Contractor Equipment products that have been modified by any party other than Southwire Company, LLC or its authorized third party designee. This 5-Year Limited Warranty is not transferrable to or enforceable by any person other than the product's original end user.

One-Year Limited Warranty on Electrical Components and Consumable Parts (with 5-Year warranty)

Under Southwire's 1-Year Limited Warranty, Southwire Company, LLC warrants that all electrical components and consumable parts such as ropes, blades, dies, draw studs, grips will be free from manufacturer defects for a period of one-year from the date of the original end user's purchase. Under this 1-Year Limited Warranty, Southwire Company, LLC will have no liability for any of the following: normal wear and tear resulting from product use and damage arising out of misuse, abuse, modification, and improper product maintenance. This warranty also does not cover Southwire electrical components and consumable parts that have been modified by any party other than Southwire Company, LLC or its authorized third party designee. This 1-Year Limited Warranty is not transferrable to or enforceable by any person other than the product's original end user.

Exclusion of Incidental, Consequential, Indirect, Special and Punitive Damages

SOUTHWIRE MAKES NO WARRANTY THAT SOUTHWIRE CONTRACTOR EQUIPMENT PRODUCTS WILL BE MERCHANTABLE OR FIT FOR ANY PARTICULAR PURPOSE. SOUTHWIRE MAKES NO OTHER WARRANTY, EXPRESSED OR IMPLIED, OTHER THAN THE RELEVANT WARRANTY SPECIFICALLY SET FORTH IN THIS WARRANTY SECTION. SOUTHWIRE WILL NOT BE LIABLE FOR ANY INCIDENTAL, CONSEQUENTIAL, INDIRECT, SPECIAL, OR PUNITIVE DAMAGES FOR ANY BREACH OF THIS LIMITED LIFETIME WARRANTY.
Some states do not allow the exclusion or limitation of incidental or consequential damages, so the above limitation or exclusion may not apply to you.

Warranty Claim Information/How Do You Get Service?

For all warranty, customer service, and product return authorizations and inquiries, please contact Southwire's Tools & Assembled Products at:

Southwire Tools & Assembled Products

840 Old Bremen Road

Carrollton, GA, 30117

Phone Number: 1.855.SW.Tools

1. All warranty claims must be approved by Southwire's Tools & Assembled Products Warranty Department prior to return of product. If Southwire determines that a product is defective, Southwire will, at its option, repair or replace defective products or defective product components, free of charge.
2. Upon approval, Southwire will issue a Product Return Authorization Form which will include instructions on how and where to return the product. **The product serial number and the original date of delivery must be set forth on the Product Return Authorization Form.**
3. Southwire will cover standard freight charges (Ground Courier Rate) incurred in connection with products that Southwire ultimately determines to be defective.
4. All defective components and defective products that Southwire replaces under these Warranties will become Southwire's property and will be retained by Southwire.

Repair Your Product When it is Out of Warranty

Southwire is happy to provide information about where a purchaser can send a product for repair at consumers' own expense, please contact 1.855.SW.tools or visit www.southwiretools.com/tools/home.do for more information about servicing for Southwire Products.