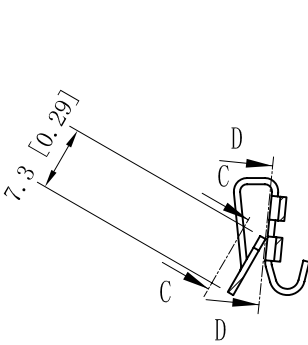
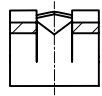
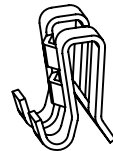
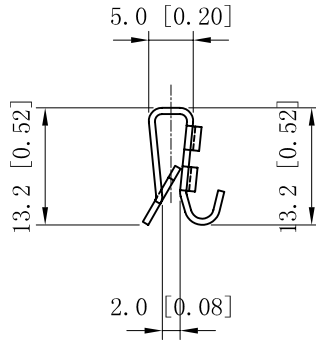
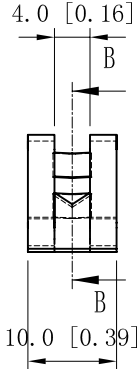


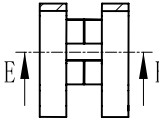
SIDES	BOTTOM
Material:Steel-0.028"-C1065 Galvanized	



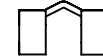
CUTAWAY VIEW B-B



CUTAWAY VIEW C-C



CUTAWAY VIEW D-D



CUTAWAY VIEW E-E

DESCRIPTION
TRADE REFERENCE TERMS

This data sheet is for reference only .GARVIN INDUSTRIES reserves the right to make changes to the design without prior notice.

STANDARD PACKING
100/1000 PCS

GARVIN INDUSTRIES		
TITLE GROUNDING ACCESSORIES		
SIZE A4	DWG NO. GC	REV
DATA SHEET		