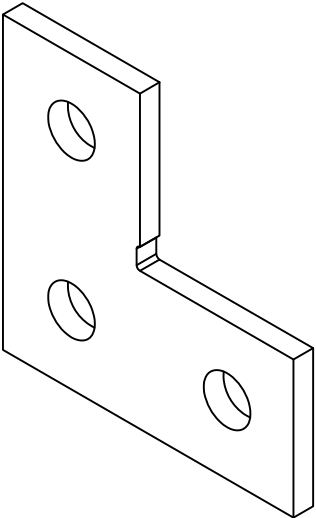
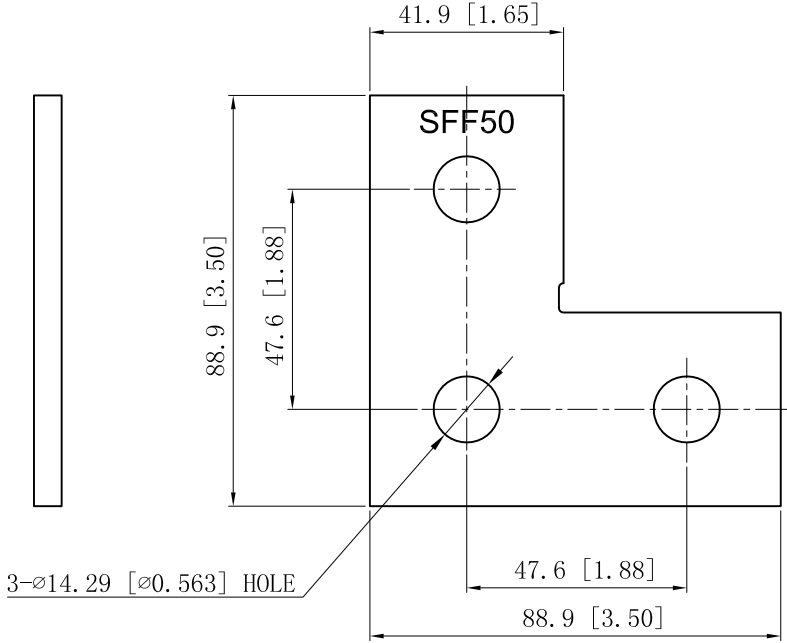


SIDES	BOTTOM
Material: Steel-0.236"- H.R.S, Zinc plated	



DESCRIPTION
TRADE REFERENCE TERMS

This data sheet is for reference only .GARVIN INDUSTRIES reserves the right to make changes to the design without prior notice.

STANDARD PACKING
25 PCS

GARVIN INDUSTRIES		
TITLE THREE-HOLE CORNER PLATE – FLAT		
SIZE A4	DWG NO. SFF50	REV
DATA SHEET		