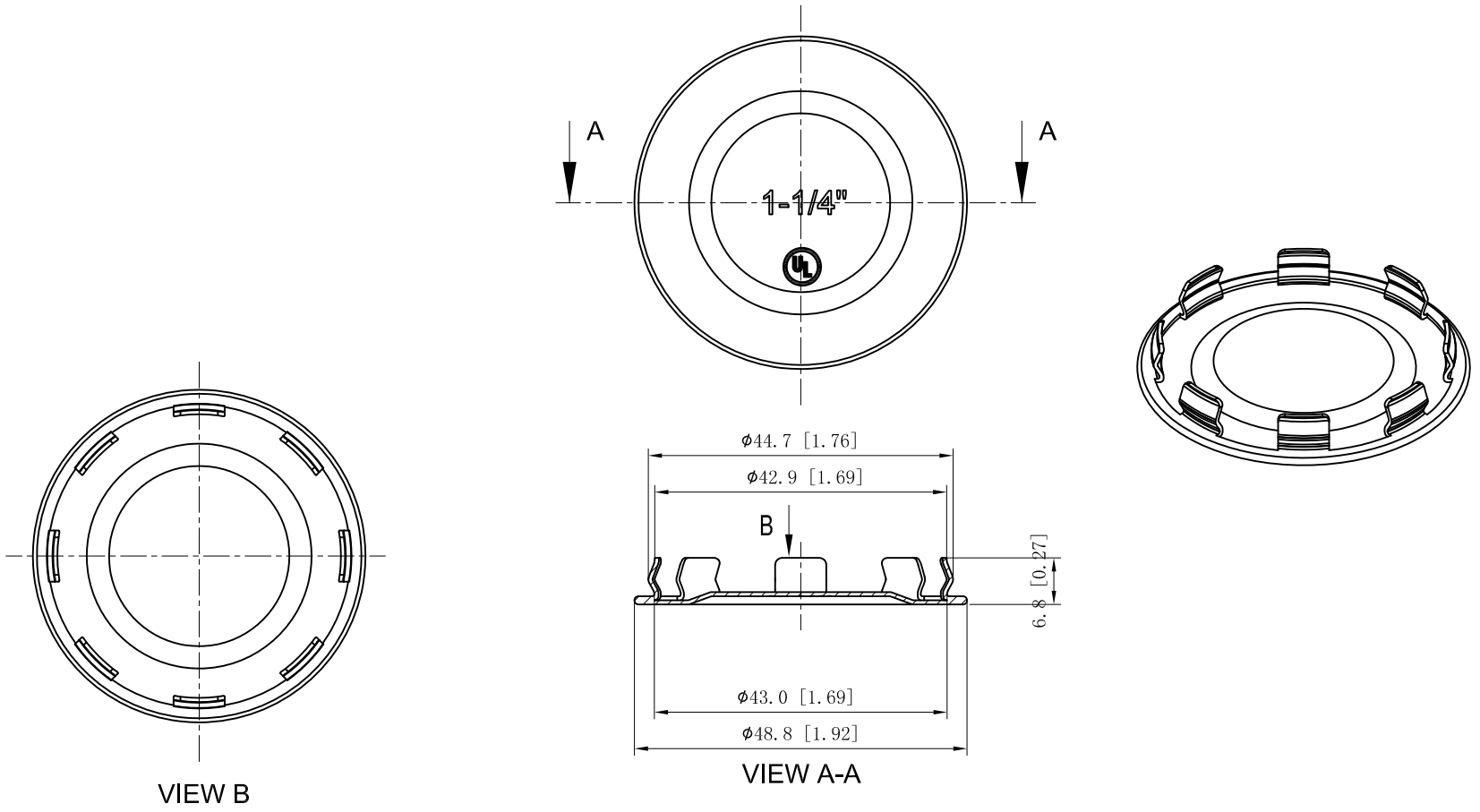


SIDES	BOTTOM
Material:Steel-0.023"-Galvanized Steel	



This data sheet is for reference only .GARVIN INDUSTRIES reserves the right to make changes to the design without prior notice.

DESCRIPTION
TRADE REFERENCE TERMS

STANDARD PACKING
50/500 PCS

TITLE			REV A
"SNAP-IN" KNOCKOUT SEALS			
SIZE	DWG NO.	SNAP125	
A4	DATA SHEET		