



Southwire™

DIE-CAST ALUMINUM COVERS

DOUBLE GANG COVERS

16 IN 1 VERTICAL MULTI-USE COVER

FEATURES

- Aluminum cast multi-use cover with spring loaded lid
- Weather seal gasket to block moisture
- Superior commercial quality die cast metal construction
- Installation instructions included
- Gray, bronze and white

APPLICATIONS

- UL listed for wet locations
- For receptacles in damp or wet locations
- For use with double gang outdoor device box

STANDARD MATERIAL

- Precision die cast aluminum

STANDARD FINISH

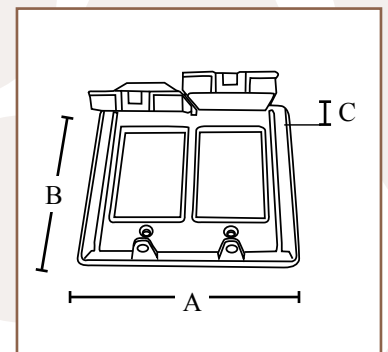
- Premium powder coat finish



WC2225



UL® Listed and 2011 NEC® and
NEMA® 3R Compliant



PART #	COLOR	MASTER QTY.	WEIGHT/ CASE (LBS.)	A	B	C
WC2225	GRAY	10	17	4.56"	4.56"	.551"
WC2225B	BRONZE	10	17	4.56"	4.56"	.551"
WC2225W	WHITE	10	17	4.56"	4.56"	.551"

Rev. 0, 06/23

**BUILT FOR DURABILITY.
BUILT FOR RELIABILITY.
BUILT FOR WORK.™**

1-855-798-6657 | SOUTHWIRE.COM

©2023 Southwire Company, LLC. All rights reserved.
*Registered Trademark & ™Trademark of Southwire Company, LLC.