



Southwire™

CONDUIT BODIES

T TYPE

FEATURES

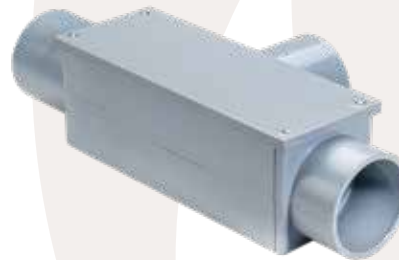
- Rectangular shaped conduit body with a removable cover
- Conduit body contains three conduit hubs, one in each end wall and one at 90° in the middle of the side wall

APPLICATION

- Allows 3-way inline access in conduit systems

STANDARD MATERIAL

- PVC
- Screws - Zinc plated steel

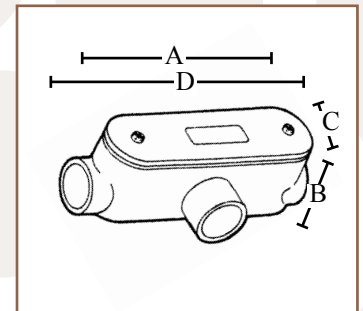


1178TZ



1171TZ

PART #	SIZE	MASTER QTY.	WEIGHT/ CASE (LBS.)	A	B	C	D
1171TZ	1/2"	25	5	4"	1.50"	1.3125"	4.625"
1172TZ	3/4"	15	4	4.625"	1.6875"	1.50"	5.375"
1173TZ	1"	10	4	5.375"	2"	1.75"	6.5625"
1174TZ	1-1/4"	10	8	7.1875"	2.50"	2.50"	8.1875"
1175TZ	1-1/2"	10	10	8"	2.8125"	2.625"	9.25"
1176TZ	2"	5	8	9.50"	3.375"	3.125"	10.375"
1177TZ	2-1/2"	2	12	1' .875"	4.625"	4.625"	1' 7"
1178TZ	3"	2	7	1' .875"	4.625"	4.625"	1' 7"
1179TZ	3-1/2"	1	9	1' 1.75"	5.5625"	5.5625"	1' 8.375"
1180	4"	1	9	1' 1.875"	5.5625"	5.5625"	1' 8.1875"



Rev. 0, 03/23

**BUILT FOR DURABILITY.
BUILT FOR RELIABILITY.
BUILT FOR WORK.™**

1-855-798-6657 | SOUTHWIRE.COM

©2023 Southwire Company, LLC. All rights reserved.
*Registered Trademark & ™Trademark of Southwire Company, LLC.