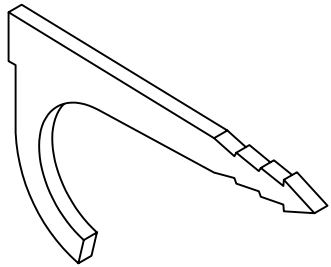
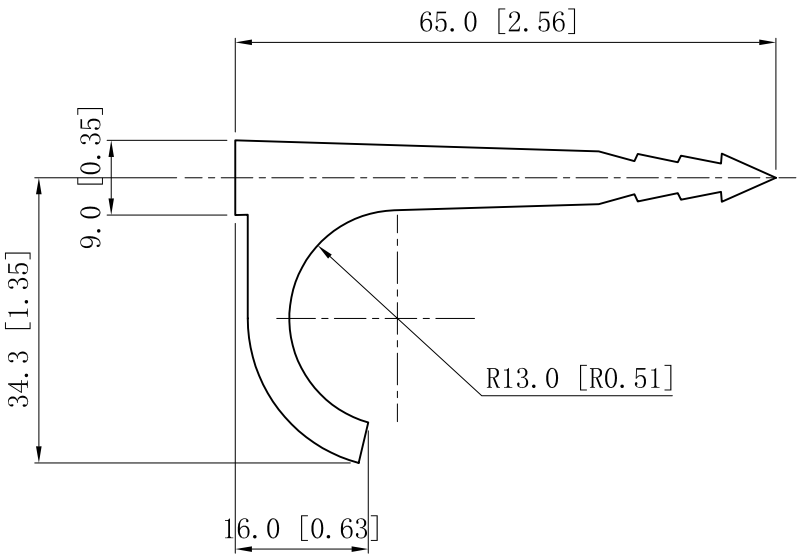
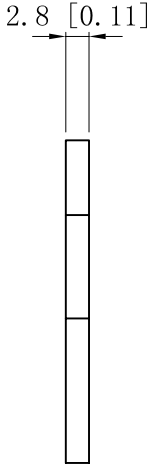


SIDES	BOTTOM
Material:Steel-0.110"-G60 Galvanized	



DESCRIPTION
TRADE REFERENCE TERMS

This data sheet is for reference only .GARVIN INDUSTRIES reserves the right to make changes to the design without prior notice.

STANDARD PACKING	<h1 style="text-align: center;">GARVIN INDUSTRIES</h1> <h2 style="text-align: center;">ELECTRICAL TRADE WASHERS</h2>		
100/1000 PCS			
SIZE	DWG NO.	REV	
A4	NS-100		
DATA SHEET			