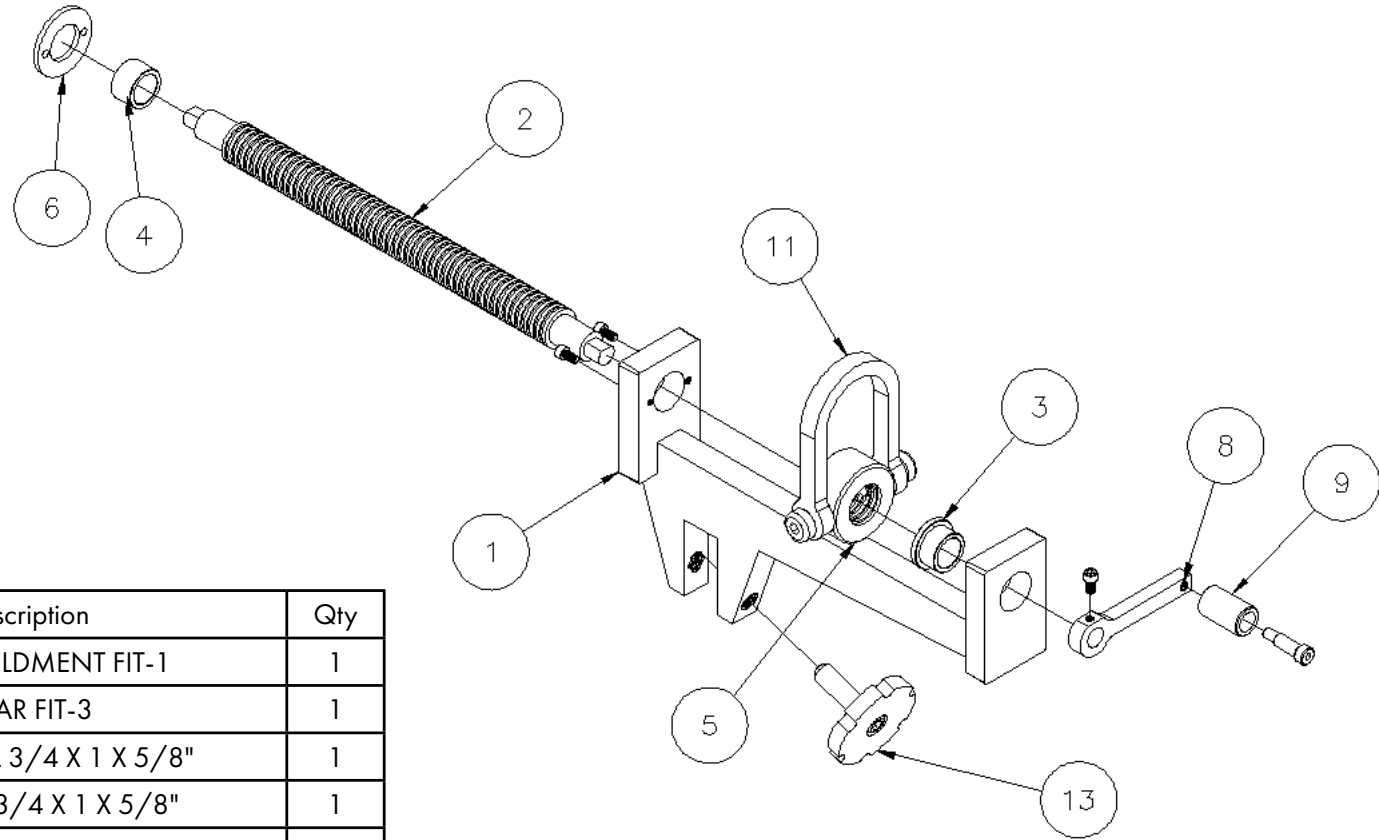


ADJUST-A-FIT™ PARTS



| Item | Part No. | Description | Qty |
|------|----------|-----------------------------|-----|
| 1 | 780633 | BODY WELDMENT FIT-1 | 1 |
| 2 | 780535 | GEAR FIT-3 | 1 |
| 3 | 775090 | BUSH, BZ FL 3/4 X 1 X 5/8" | 1 |
| 4 | 775080 | BUSH, BZ 3/4 X 1 X 5/8" | 1 |
| 5 | 780539 | PINION FIT-8 | 1 |
| 6 | 780537 | BEARING KEEPER FIT-6 | 1 |
| 7 | 771236 | SCREW, SHC 10-32 X 3/8" | 3 |
| 8 | 780536 | HANDLE, ARM FIT-4 | 1 |
| 9 | 780637 | HANDLE GRIP FIT-5 | 1 |
| 10 | 771345 | SCREW, SHOULDER 5/16 X 3/4" | 1 |
| 11 | 780538 | BAIL FIT-7-12 | 1 |
| 12 | 771350 | SCREW SHOULDER 1/2 X 1/2 | 2 |
| 13 | 780540 | SET SCREW WLDMT.RGC | 1 |