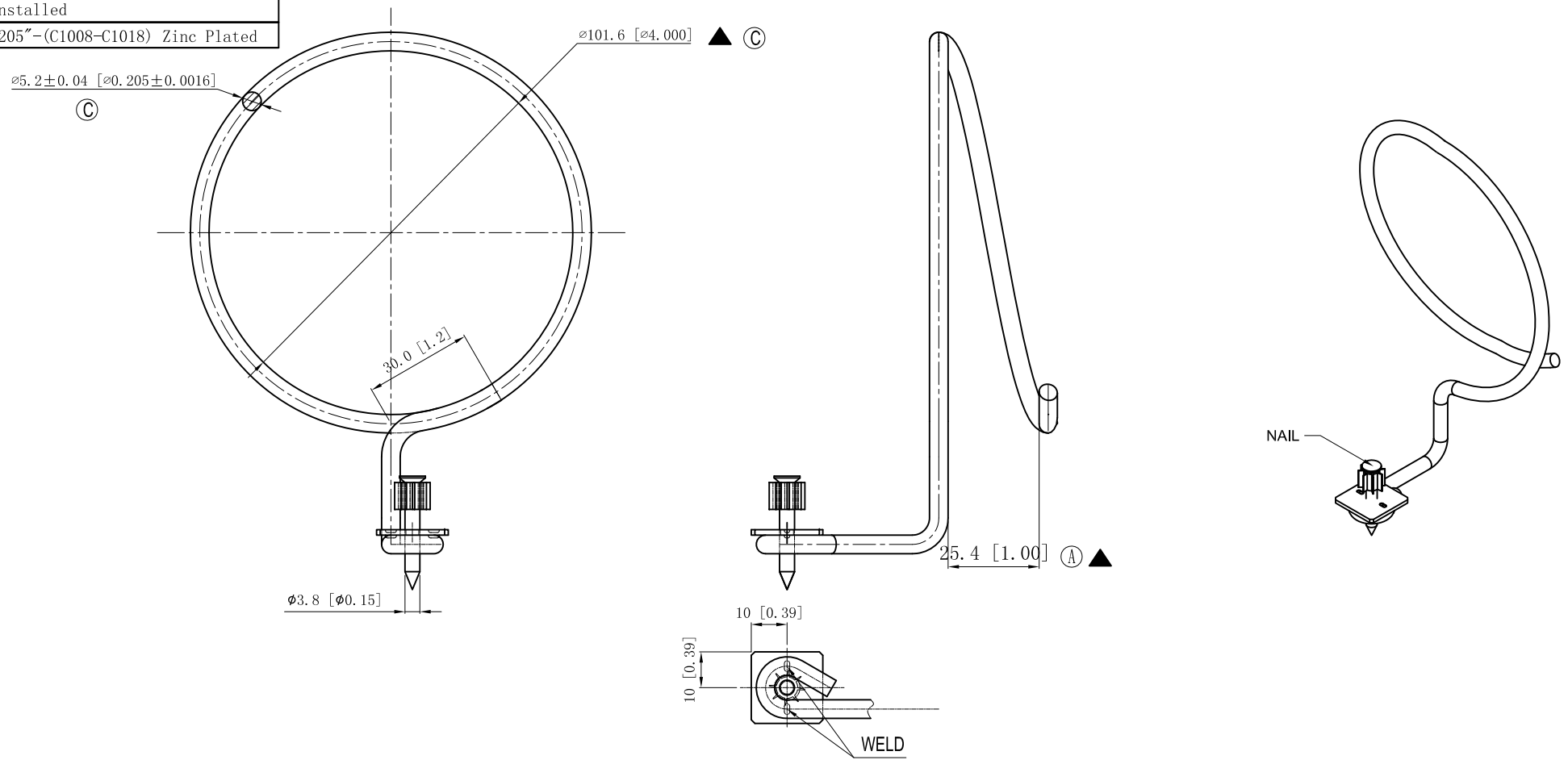


SIDES	BOTTOM
1 PCS 1-1/4 Nail Installed	
Material: Steel-0.205"-(C1008-C1018) Zinc Plated	



This data sheet is for reference only .GARVIN INDUSTRIES reserves the right to make changes to the design without prior notice.

DESCRIPTION
Patent #: Pat. US 6,364,266 B1
TRADE REFERENCE TERMS

STANDARD PACKING	<h1 style="text-align: center;">GARVIN INDUSTRIES</h1> <h2 style="text-align: center;">QUICK-SHOT BRIDLE RINGS</h2>		
50 PCS			
SIZE	DWG NO.		REV
A4	BR-400-SSC		E
DATA SHEET			