



Southwire™

FD TYPE BOX

BLANK - SINGLE

FEATURES

- Mounting feet enable easy installation
- Accommodates standard covers and accessories

APPLICATIONS

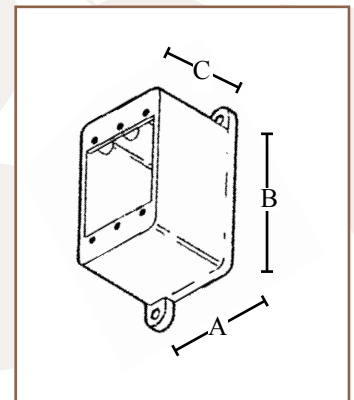
- Commonly used for tele-communications applications
- Use for terminations where hub requirements vary

STANDARD MATERIAL

- PVC



1281



| PART # | MASTER QTY. | WEIGHT/ CASE (LBS.) | A | B | C |
|--------|-------------|---------------------|--------|---------|--------|
| 1281 | 10 | 4 | 2.875" | 4.5625" | 2.375" |

Rev. 0, 06/23

**BUILT FOR DURABILITY.
BUILT FOR RELIABILITY.
BUILT FOR WORK.™**

1-855-798-6657 | SOUTHWIRE.COM

©2023 Southwire Company, LLC. All rights reserved.
*Registered Trademark & ™Trademark of Southwire Company, LLC.