



Southwire™

STRAIGHT LIQUIDTIGHT CONNECTORS WITH INSULATED THROAT - STEEL

FEATURES

- Liquidtight, raintight, oiltight
- Industrial specification grade, screw machined steel
- Corrosion resistant protection from moisture & oils

APPLICATION

- Bonds liquidtight conduit to box or enclosure
- Straight type

STANDARD MATERIAL

- Steel

STANDARD FINISH

- Zinc plated

CERTIFICATIONS

- cULus

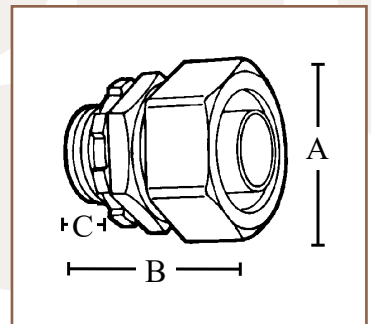


470ST

UL listed liquidtight flexible metal conduit fittings are suitable for use in the following hazardous locations under: NEC 501-4(b), 502-4(a), (2)503-3(a) Class I Div. 2, Class II Div. 1 and 2, Class III Div. 1 and 2 are suitable for grounding in sizes 3/8" through 1-1/2" under NEC 351-1



PART #	SIZE	INNER QTY.	MASTER QTY.	WEIGHT/CASE (LBS.)	A	B	C
470ST	3/8" 1/2" KO	20	200	25	1.09"	1.19"	.63"
471ST	1/2"	20	200	31	1.19"	1.34"	.63"
472ST	3/4"	10	100	23	1.43"	1.43"	.63"
473ST	1"	5	50	18	1.75"	1.63"	.66"
474ST	1-1/4"	5	50	23	2.16"	1.84"	.67"
475ST	1-1/2"	2	20	12	2.38"	2"	.72"
476ST	2"	2	20	15	2.88"	2.13"	.72"



Rev. 0, 01/23

**BUILT FOR DURABILITY.
BUILT FOR RELIABILITY.
BUILT FOR WORK.™**

1-855-798-6657 | SOUTHWIRE.COM

©2023 Southwire Company, LLC. All rights reserved.
*Registered Trademark & ™Trademark of Southwire Company, LLC.