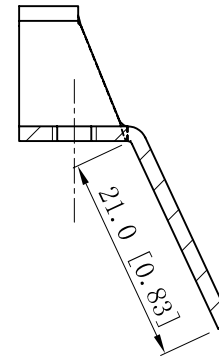
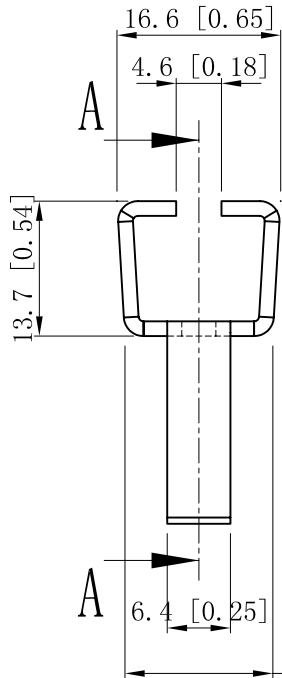
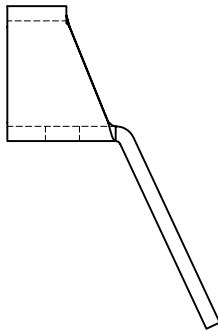
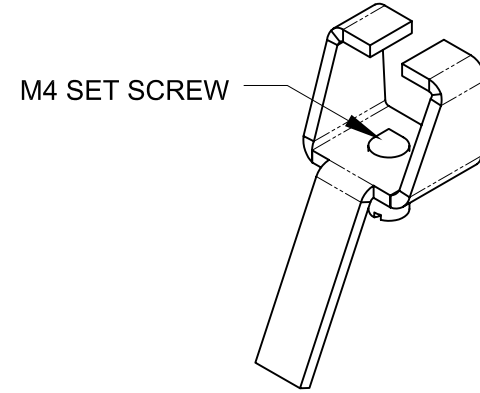
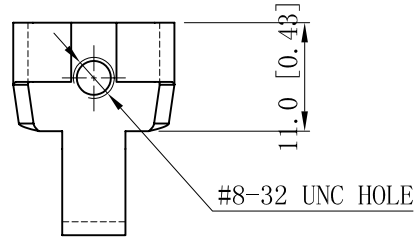


SIDES	BOTTOM
1Pcs M4×12 slotted headless cone point set screw	
Material:Steel-0.059"-C.R.S Finish:red zinc plated	



CUTAWAY VIEW A-A

This data sheet is for reference only .GARVIN INDUSTRIES reserves the right to make changes to the design without prior notice.

DESCRIPTION
TRADE REFERENCE TERMS

STANDARD PACKING
50 Pcs

TITLE		
GARVIN INDUSTRIES		
UNIVERSAL BREAKET LOCK		
SIZE	DWG NO.	REV
A4	UBL1-RED	
DATA SHEET		