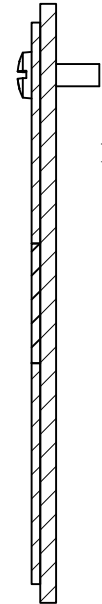
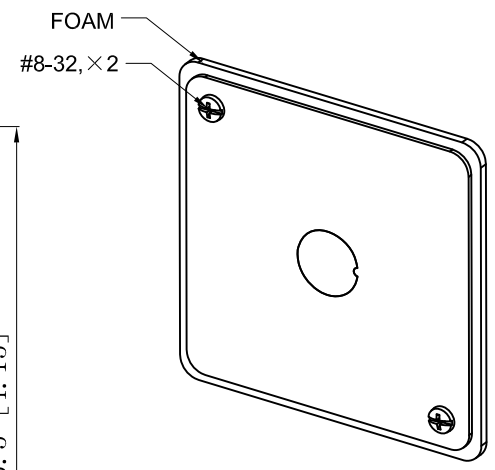
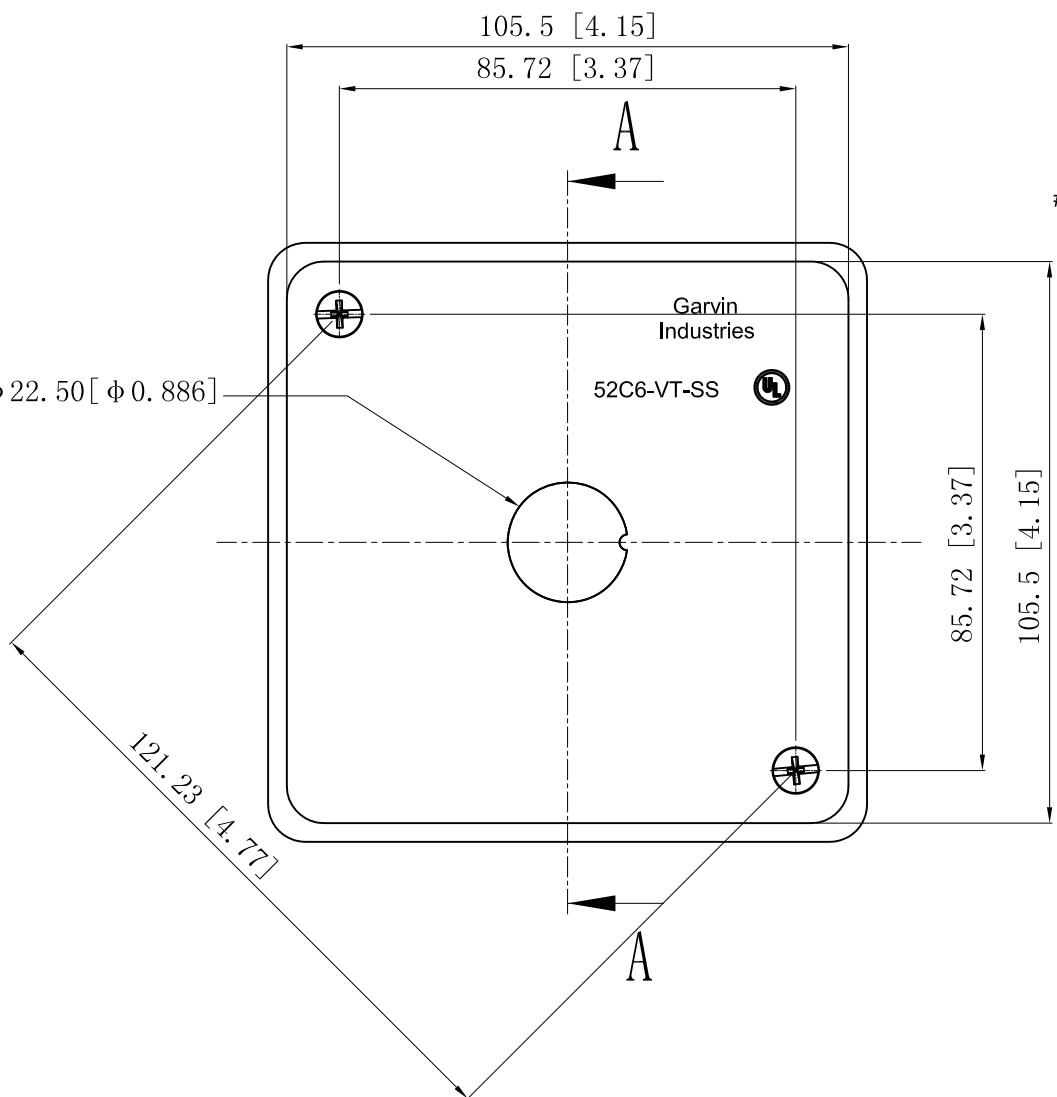


SIDES	BOTTOM
	1/2" KNOCKOUT
2 PCS 8-32×1/2 Screws Installed	
Material: (0.051"-0.059")-tainless steel 316	



1/2" KNOCKOUT $\phi 22.50$ [$\phi 0.886$]



CUTAWAY VIEW A-A

This data sheet is for reference only .GARVIN INDUSTRIES reserves the right to make changes to the design without prior notice.

DESCRIPTION
TRADE REFERENCE TERMS

STANDARD PACKING
50 PCS

GARVIN INDUSTRIES			
TITLE 4" SQUQRE FLAT BOX COVERS			
SIZE A4	DWG NO.	52C6-VT-SS	REV A
DATA SHEET			