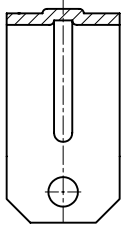
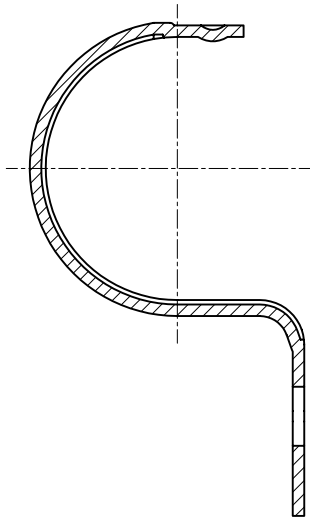
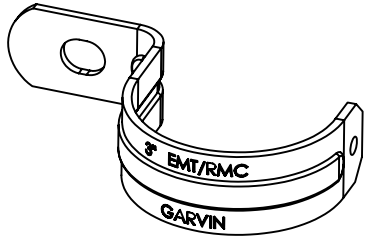


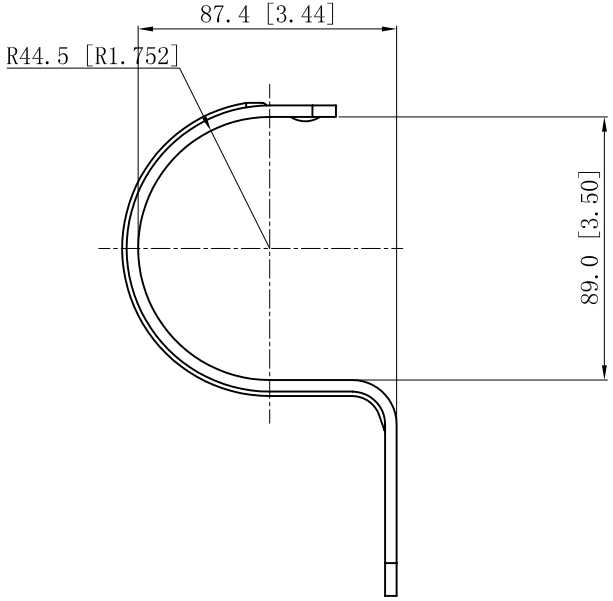
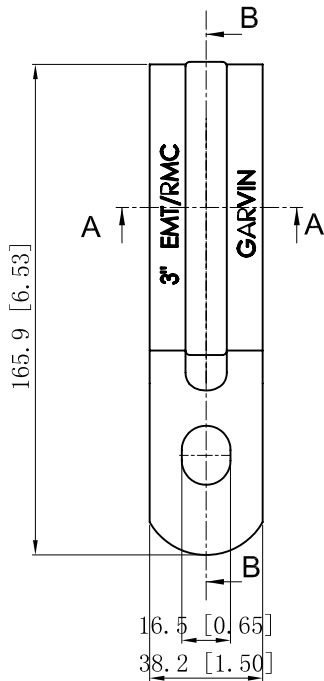
SIDES	BOTTOM
Material: Steel-(0.150"-0.157")-C. R. S Zinc Plated	



CUTAWAY VIEW A-A



CUTAWAY VIEW B-B



DESCRIPTION
TRADE REFERENCE TERMS

This data sheet is for reference only .GARVIN INDUSTRIES reserves the right to make changes to the design without prior notice.

STANDARD PACKING
10 PCS

<b>GARVIN INDUSTRIES</b>		
TITLE <b>ONE-HOLE STRAPS</b>		
SIZE A4	DWG NO. OHS-300	REV
DATA SHEET		