

Item:  
 SL/24W/40K/BZ  
 SL/24W/40K/BZ/MS  
 SL/24W/40K/WH  
 SL/24W/40K/WH/MS



# LED SECURITY LIGHT INSTALLATION INSTRUCTIONS

## READ AND FOLLOW ALL SAFETY INSTRUCTIONS!

### WARNING

- Make all electrical and ground connections in accordance with local codes or the National Electrical Code. If you are not familiar with these codes and requirements, consult a qualified electrician. This Professional should be familiar with the construction and operation of this product and hazards involved. Failure to do so may result in serious personal injury
- To reduce the risk of fire, electric shock, personal injury, or property damage, please read and follow all safety instructions. If you do not understand these instructions or if any additional information is required, contact your local Topaz representative. Retain these instructions for maintenance reference.
- Do not exceed the allowed supply voltage marked on the luminaire label information
- Disconnect power at the circuit breaker panel before any installation

### CAUTION

- Do not expose wire to any sharp objects such as sheet metal to prevent wiring damage or abrasion
- While the light is on, please avoid direct eye exposure
- Combustible material should be kept away from fixture/LENS.
- Do not make or alter any open holes in any enclosure or any electrical component during installation
- Do not use when the enclosure is damaged or broken in any way.
- Do not alter, relocate or remove wiring, lamp holder power supply or any other electrical component
- This device is not intended to be used with any emergency lighting fixture

Model	Input Voltage	Frequency	Power	Rated Current
SL/24W/40K/BZ	120V	50/60Hz	24W	220mA
SL/24W/40K/BZ/MS	120V	50/60Hz	24W	220mA
SL/24W/40K/WH	120V	50/60Hz	24W	220mA
SL/24W/40K/WH/MS	120V	50/60Hz	24W	220mA

## PARTS INCLUDED

#8X1/4" Screw	1pcs	#8X3/8" Screw	2pcs
#8X1-1/2" Screw	1pcs	Gasket	1pcs
Wire Connectors	3pcs	Crossbar	1pcs

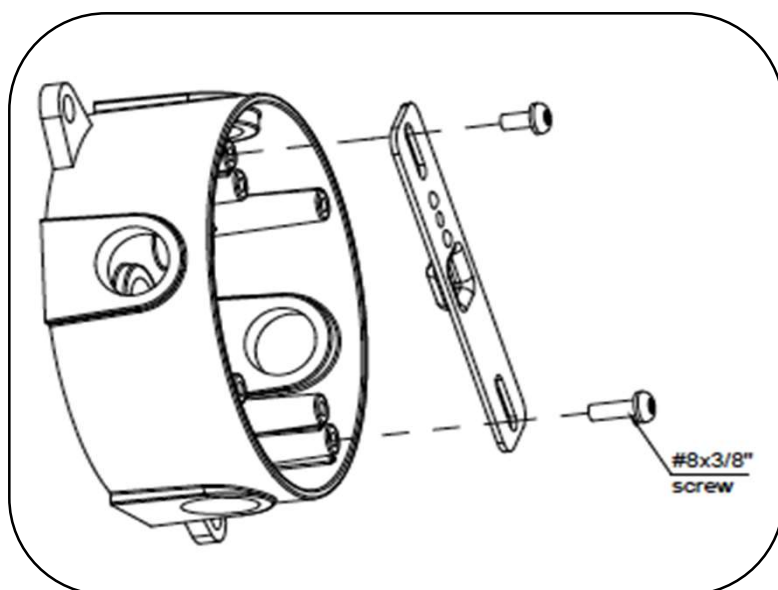
Item:  
SL/24W/40K/BZ  
SL/24W/40K/BZ/MS  
SL/24W/40K/WH  
SL/24W/40K/WH/MS



# LED SECURITY LIGHT INSTALLATION INSTRUCTIONS

## INSTALLATION STEPS

If you are replacing an existing fixture, remove old fixture, including mounting bracket.

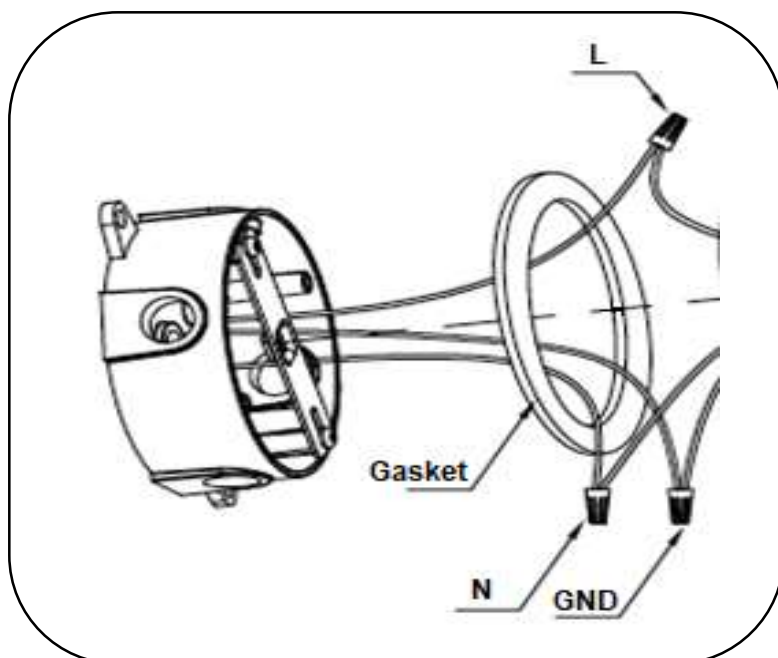


*figure 1*

### Step 1:

Mount crossbar plate to the junction box using the two, #8x3/8" screws provided. See *figure 1*

Ground the junction box crossbar using the #8X1/4" screw provided.



*figure 2*

### Step 2:

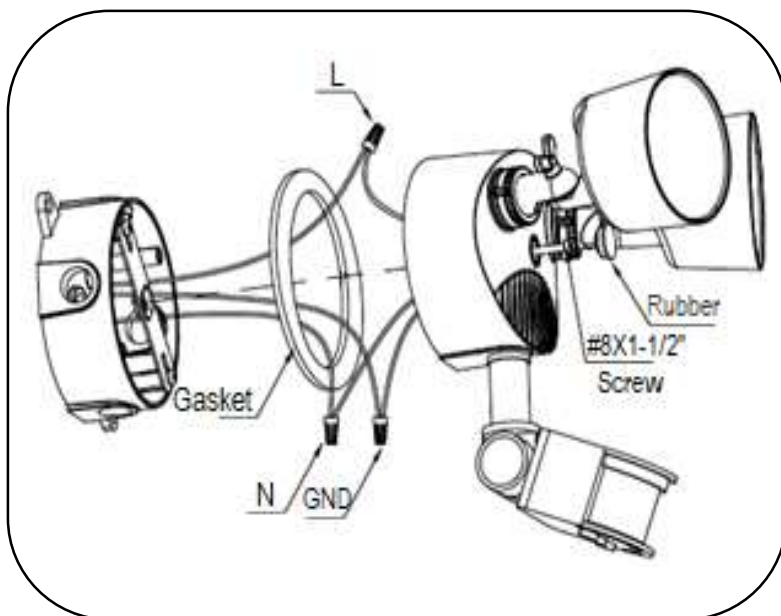
Thread wires through Gasket. Using the supplied wire connectors, connect fixture black wire to live black wire, fixture white wire to neutral white wire and fixture green wire to ground green wire. See *figure 2*

Carefully tuck all wires back into junction box.

Item:  
SL/24W/40K/BZ  
SL/24W/40K/BZ/MS  
SL/24W/40K/WH  
SL/24W/40K/WH/MS



## LED SECURITY LIGHT INSTALLATION INSTRUCTIONS

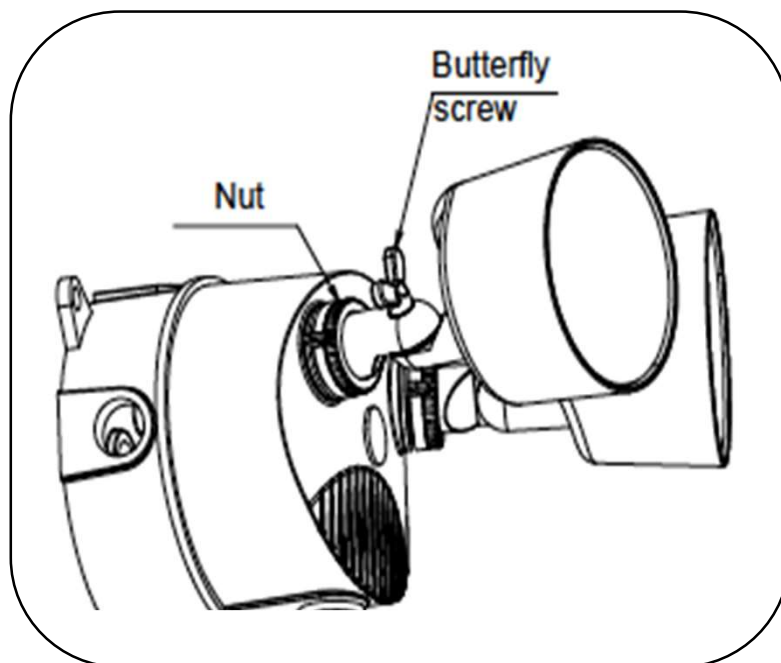


*figure 3*

### Step 3:

Peel and stick Gasket to junction box.

Remove rubber cap from front of fixture. Position the LED fixture over the crossbar plate and secure with the mounting screw (#M8X1-1/2"). Replace the rubber cap when fixture is secured. **See figure 3**



*figure 4*

### Step 4:

Aim lights by loosening the butterfly screw and nut. Once lights are in desired placement tighten the butterfly screw and nut. **See figure 4**

Item:  
SL/24W/40K/BZ  
SL/24W/40K/BZ/MS  
SL/24W/40K/WH  
SL/24W/40K/WH/MS



# LED SECURITY LIGHT INSTALLATION INSTRUCTIONS

## SENSOR TEST AND SETTINGS

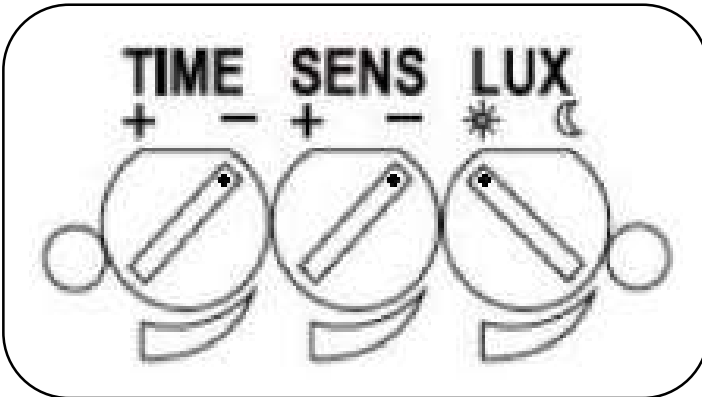


figure 5

Once installation is complete, arrange the **SETTINGS**, on the bottom of the sensor, to the positions in **figure 5** to ensure best test results. Switch the power **ON**, wait 30 seconds, the light should be off. Test by moving in front of the sensor. The light should activate. Once light is working, position **SETTINGS** to suit environment and needs.

**TIME:** Sets the amount of time that security lights will be **ON**, after motion is detected, for a **MINIMUM** of 5 seconds (indicated by the -) to a **MAXIMUM** of 9 minutes (indicated by the +).

**SENS:** Determines the range of motion detection. **SENS** is adjustable from **MINIMUM** of 6.5 feet (indicated by the -) to **MAXIMUM** of 39 feet (indicated by the +).

**LUX:** Determines the level of darkness that must be reached before the light will go on. **LUX** is adjustable from **MINIMUM** of 2 Lux (indicated by the moon) when light will activate only at dusk or when it is dark out to **MAXIMUM** of 2000 Lux (indicated by the sun) when light will activate even during daylight hours.

## SENSOR MANUAL OVERRIDE

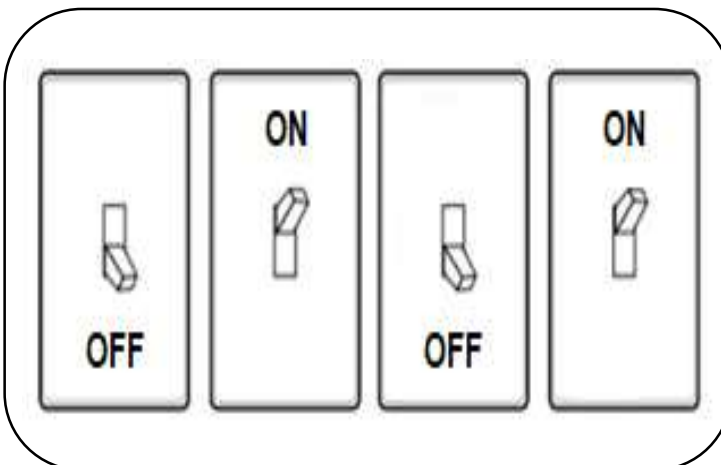


Figure 5

### Step 1:

Turn the power switch on, the fixture will light and do self-testing in 15 seconds.

### Step 2:

Wait 15 seconds, the fixture light will turn off.

### Step 3:

Once the fixture turns off, turn the power switch off and on 2 times within 3 seconds (see *figure 5*). The fixture will now keep the lighting on. The sensor is disabled.

**\*\*\*Note:** To reset the sensor, turn the power switch off for 15 seconds. Once the switch is turned on the fixture will resume auto motion sensing.