

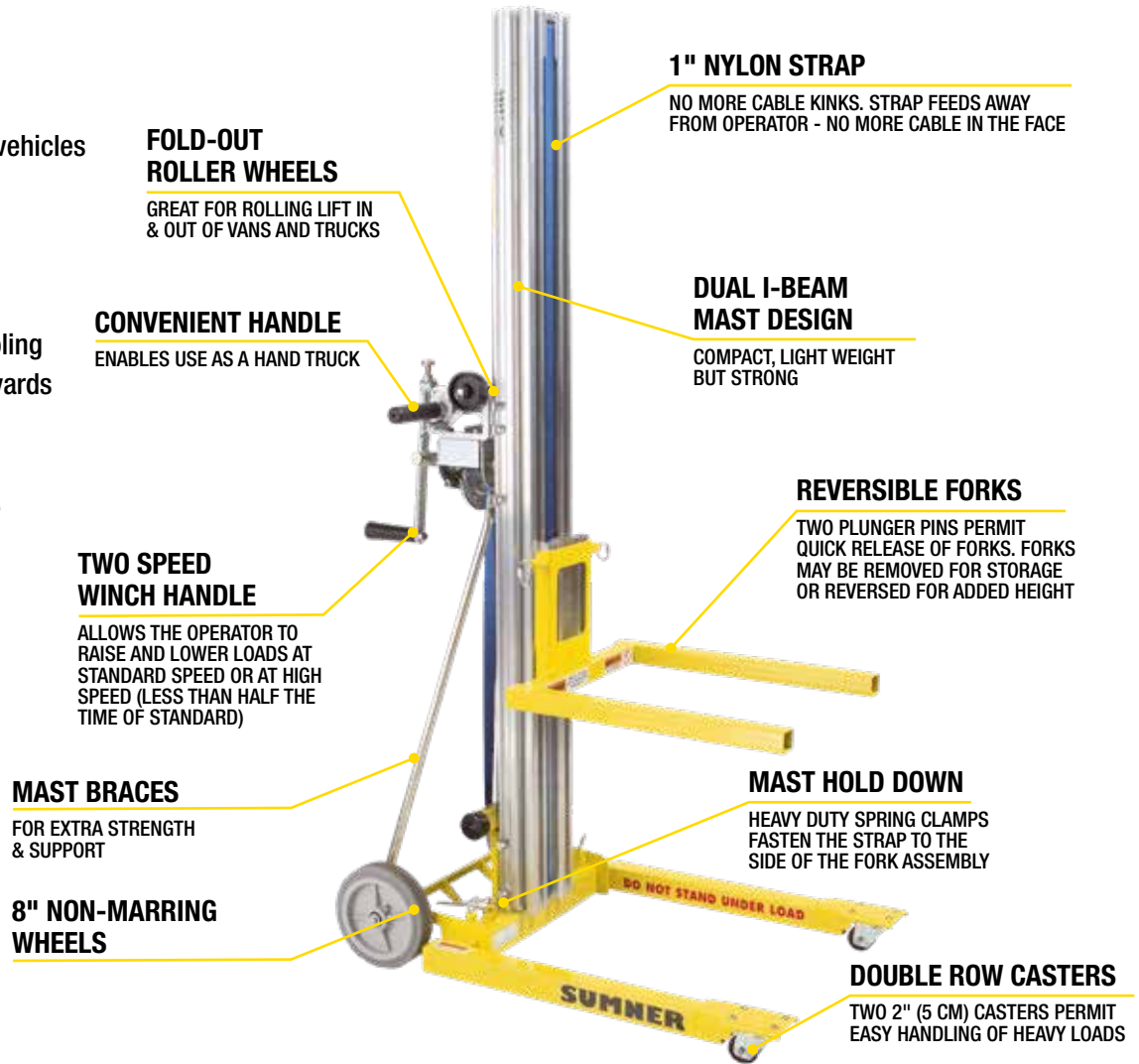
SUMNER*

SERIES 2200 LIL' HOISTER LIFT

Lightweight, transportable and ideal for many lifting tasks.

APPLICATIONS

- HVAC compressor installation
- Loading & unloading service vehicles
- Cabinet installation
- Lifting electrical trays
- Positioning pipes & ducts
- Installing air conditioners
- Handling machine parts & tooling
- Loading equipment in rental yards
- Hoisting small beams
- Positioning hospital TVs
- Hauling & lifting cement bags
- Installing appliances
- Removing electrical motors
- Installing light fixtures



PART #	DESCRIPTION	MAX HEIGHT	LIFTING CAPACITY	BASIC WEIGHT
784308	2208 Lil' Hoister	9' 1/4" (2.4 m)	300 lbs (135 kg)	95 lbs (43.2 kg)
784310	2210 Lil' Hoister	11' 1/4" (3 m)	300 lbs (135 kg)	108 lbs (49 kg)

SERIES 2200 LIL HOISTER LIFT ACCESSORIES



DUALY WHEEL KIT (#784258)

Ideal for traveling on grass or dirt and when the lift is used as a hand truck.



ALUMINUM TRAY (# 784240)

Lightweight and rust free, this aluminum tray slides on to forks and attaches quickly and safely with spring loaded plunger pins.



WHEEL BRAKE KIT (#784218)

Easy to assemble brake kit for 8" (20 cm) wheels prevents lift from moving while being loaded. Recommended for use with aluminum tray.

LEGS EXTEND FOR GREATER STABILITY

Plunger pin action allows quick adjustment.

PART #	MAX HEIGHT (FORK UP)	MAX HEIGHT (FORK DOWN)	LIFT CAPACITY	HEIGHT STOWED	LENGTH	LENGTH OPERATING	WIDTH STOWED	WIDTH MAX	WINCH CRANKS PER FT/M	BASIC WEIGHT
2208	9' 1/4" (2.7 m)	8' (2.4 m)	300 lbs (135 kg)	57" (1.4 m)	13" (33 cm)	41" (1 m)	26" (66 cm)	31" (79 cm)	8' (24 m)	95 lbs (43.2 kg)
2210	11' 1/4" (3.4 m)	10' (3 m)	300 lbs (135 kg)	5' 10" (1.8 m)	13" (33 cm)	41" (1 m)	26" (66 cm)	31" (79 cm)	8' (24 m)	106 lbs (48 kg)