



Southwire™

SERVICE ENTRANCE CAPS

FEATURES

- High tensile and impact strength
- Weather resistant

APPLICATION

- Installed on a vertical conduit, usually outdoors, to receive open wires from an electrical service line
- Sometimes called a weather head, it prevents rainwater from entering the conduit

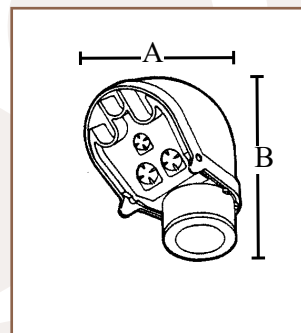
STANDARD MATERIAL

- PVC



1111

PART #	SIZE	MASTER QTY.	WEIGHT/ CASE (LBS.)	A	B
1111	1/2"	10	2	3"	3"
1112	3/4"	10	2	3"	3"
1113	1"	20	4	3.50"	3.50"
1114	1-1/4"	20	10	5.25"	4.25"
1115	1-1/2"	20	20	6.75"	5.75"
1116	2"	5	5	6.75"	5.75"
1117	2-1/2"	5	21	14"	9"
1118	3"	5	19	14"	9"
1119	3-1/2"	5	42	---	---
1120	4"	1	14	17"	13.50"



Rev. 0, 03/23

**BUILT FOR DURABILITY.
BUILT FOR RELIABILITY.
BUILT FOR WORK.™**

1-855-798-6657 | SOUTHWIRE.COM

©2023 Southwire Company, LLC. All rights reserved.
*Registered Trademark & ™Trademark of Southwire Company, LLC.