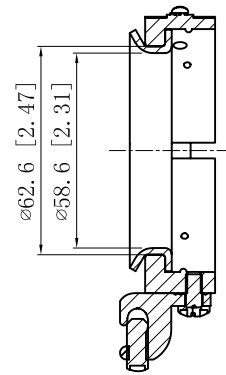
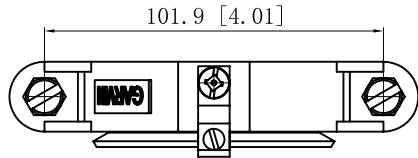
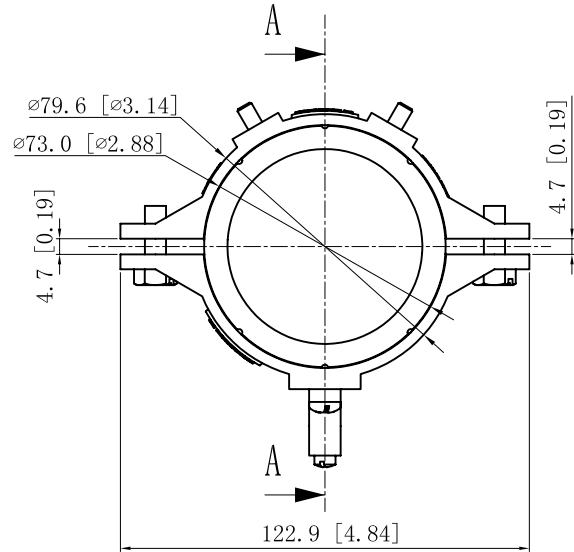
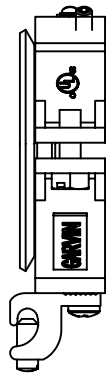
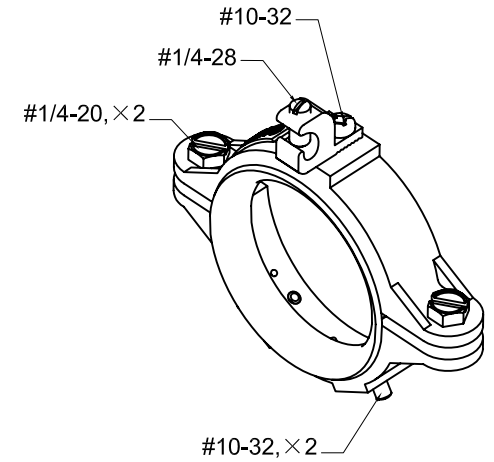


SIDES	BOTTOM
1 PCS 10-32×3/8 Screws Installed	
1 PCS 1/4-28×5/8 Screws Installed	
2 PCS 1/4-20×3/4 Screws Installed	
2 PCS #10-32×1/2 Set Screws Installed	
1 set split bushing pack in poly-bag	
Material: Zamak-ZAMAK 3	



CUTAWAY VIEW A-A



DESCRIPTION
TRADE REFERENCE TERMS

STANDARD PACKING
10 PCS

This data sheet is for reference only .GARVIN INDUSTRIES reserves the right to make changes to the design without prior notice.

GARVIN INDUSTRIES	
GROUND CHOKE	
TITLE	
SIZE A4	DWG NO. GCHK-250
	REV D
DATA SHEET	