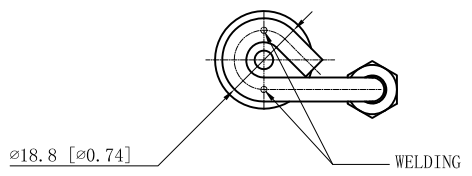
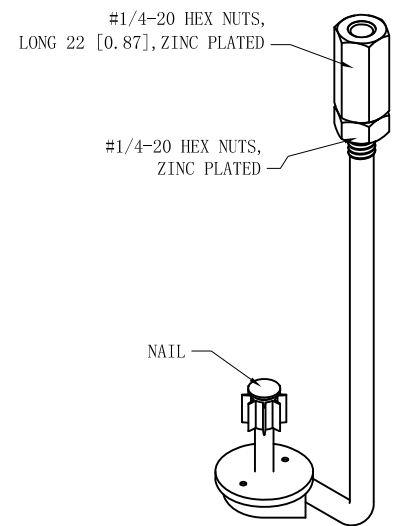
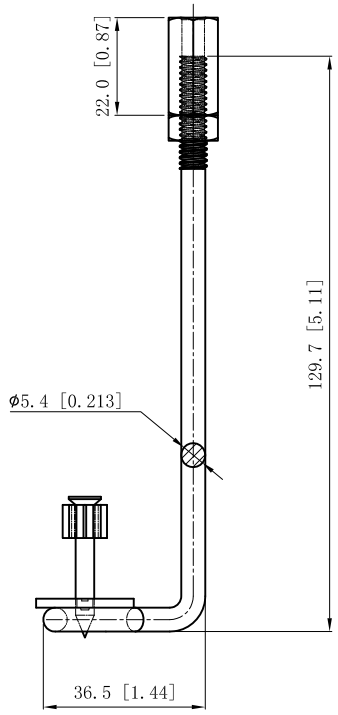
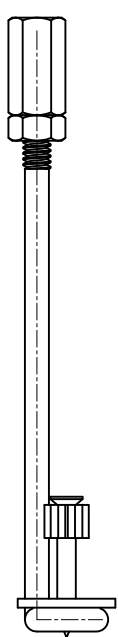


SIDES	BOTTOM
1 PCS 1/4-20 NUTS	
1 PCS 1/4-20 NUTS LONG 22 [0.87]	
1 PCS Nail: $\phi 3.8$ [ $\phi 0.15$ ], long: 31.75 [1.25]	
Material: Steel-(C1008-C1018) Galvanized	



This data sheet is for reference only .GARVIN INDUSTRIES reserves the right to make changes to the design without prior notice.

DESCRIPTION
TRADE REFERENCE TERMS

STANDARD PACKING
50 PCS

<b>GARVIN INDUSTRIES</b>			
TITLE STIFFIE 1/4, TOP PORTION ONLY, DOWN TO COUPLING AND WASHER			
SIZE A4	DWG NO. STF14	REV A	
DATA SHEET			