



Southwire™

15A IN-LINE CORD SETS (SINGLE RECEPTACLE)

Shockshield in-line GFCI ensures protection from dangerous current leakage that can cause electrical shock and possible electrocution.



26020011-6

APPLICATIONS
High Pressure Sprayer Washers
Construction Site Power Tools
Drain Snakes
Pumps
Construction Sites
Industrial Appliances
Saws and Drills
Portable Electric Power Tools
Multiple Tools



GFCI WITH 4-6MA TRIP POINT

25MS TRIP RESPONSE TIME

MANUAL RESET

**PROVIDES COMPLIANCE WITH
NEC 2008 ARTICLE 590.6 FOR
TEMPORARY INSTALLATIONS**

**CUSTOM CABLE GAUGES, LENGTHS
AND TERMINATIONS AVAILABLE BY
SPECIAL ORDER**

**APPLICATIONS: PLANT
MAINTENANCE, EQUIPMENT
SERVICE AND CONSTRUCTION SITES**

MODEL #	ELECTRICAL RATING			CORD LENGTH	CORD GAUGE	WIRE TYPE	COLOR	RECEPTACLE COUNT	LIGHTED RECEPTACLE
26020002-6	120V	15A	60Hz	2'	14/3 AWG	SJTW	YELLOW	SINGLE	NO
26020121-6	120V	15A	60Hz	2'	14/3 AWG	SJTW	YELLOW	SINGLE	YES
26020124-2	120V	15A	60Hz	25'	14/3 AWG	SJTW	YELLOW	SINGLE	NO
26020050-1	120V	15A	60Hz	50'	14/3 AWG	SJTW	YELLOW	SINGLE	NO
26020011-6	120V	15A	60Hz	2'	12/3 AWG	SJTW	YELLOW	SINGLE	NO
26020125-2	120V	15A	60Hz	25'	12/3 AWG	SJTW	YELLOW	SINGLE	NO
26020150-1	120V	15A	60Hz	50'	12/3 AWG	SJTW	YELLOW	SINGLE	NO

**BUILT FOR DURABILITY.
BUILT FOR RELIABILITY.
BUILT FOR WORK.™**

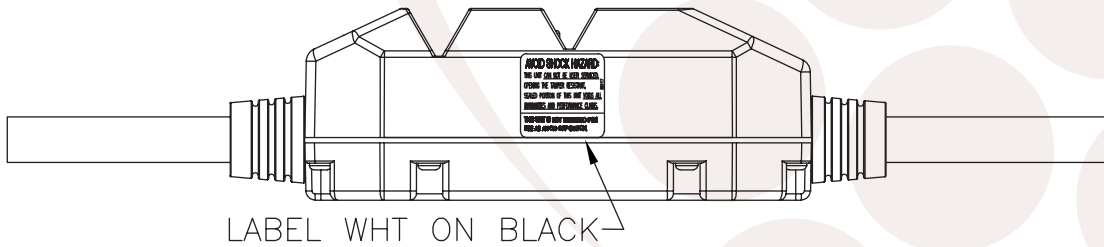
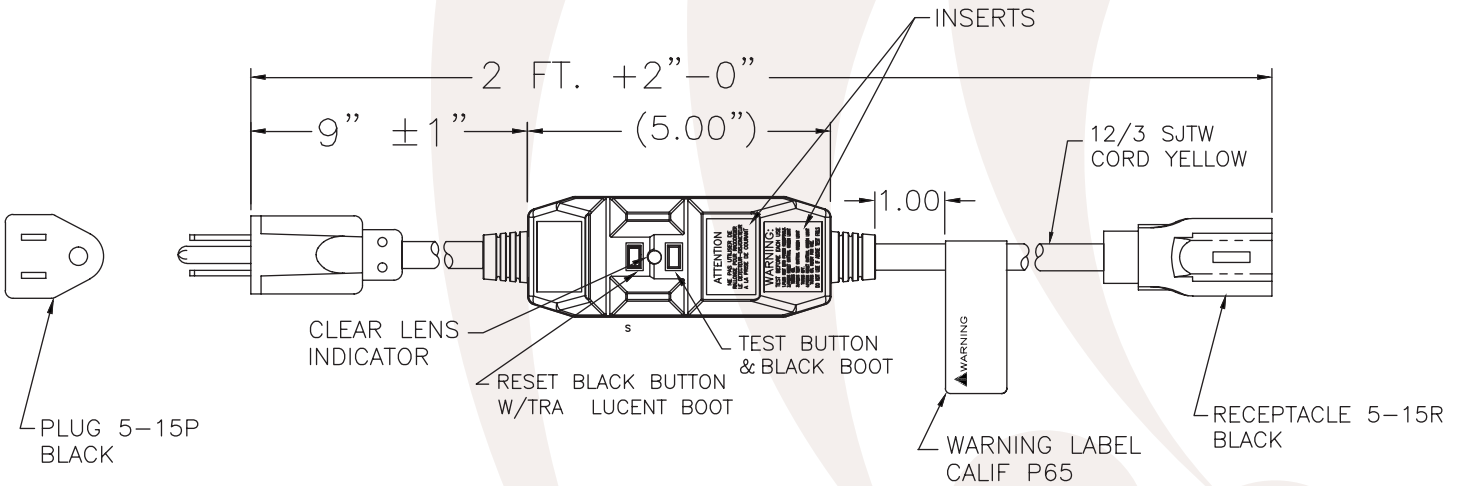
1-855-798-6657 | SOUTHWIRE.COM

©2023 Southwire Company, LLC. All rights reserved.
*Registered Trademark & ™Trademark of Southwire Company, LLC.



Southwire™

TECHNICAL DATA	
GROUNDING NEUTRAL	4 Ohms Typical
VOLTAGE SURGE WITHSTAND	3 Kv Ringwave Test and 4Kv/2Ka Surge Immunity Test
RADIO FREQUENCY NOISE SUSCEPTABILITY	Operates Within Normal Limits With 0.5 Volts Injected On Power Line 150Khz-230Mhz
ENDURANCE	3,000 Operations Minimum
OVERLOAD CURRENT	Six Times Rated Current
OPERATING TEMPERATURE RANGE	-35°C to 66°C
EFFECT OF 10 AMP TURN DC SOCK FAULT TRIP	5% Maximum Trip Level Variation on Ground
INSULATION VOLTAGE	1500 Vrms - 1 Min.
POWER INDICATION	Lighted Indicator



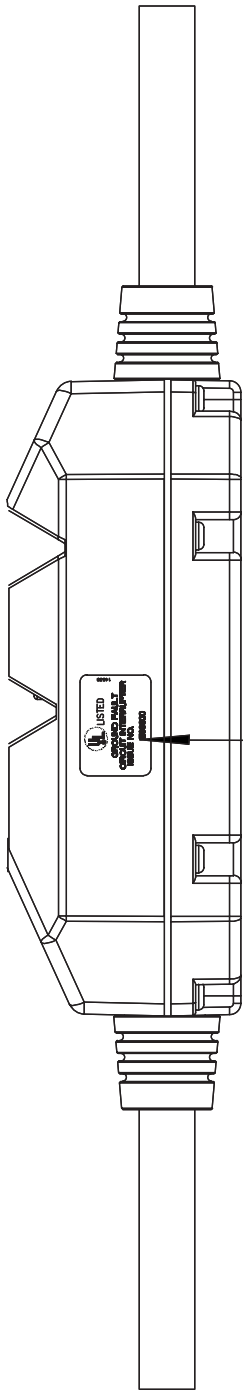
**BUILT FOR DURABILITY.
BUILT FOR RELIABILITY.
BUILT FOR WORK.™**

1-855-798-6657 | SOUTHWIRE.COM

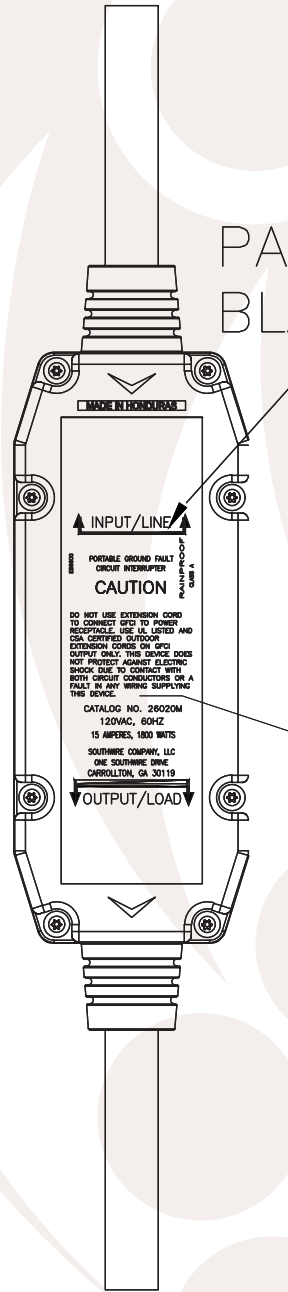
©2023 Southwire Company, LLC. All rights reserved.
*Registered Trademark & ™Trademark of Southwire Company, LLC.



Southwire™



LABEL WHT ON BLACK



PAD STAMP, BLACK

↑ INPUT/LINE ↑

PORTABLE GROUND FAULT
CIRCUIT INTERRUPTER

CAUTION

DO NOT USE EXTENSION CORD TO CONNECT GFCI TO POWER RECEPTACLE. USE UL LISTED AND CSA CERTIFIED OUTDOOR EXTENSION CORDS ON GFCI OUTPUT ONLY. THIS DEVICE DOES NOT PROTECT AGAINST ELECTRIC SHOCK DUE TO CONTACT WITH BOTH CIRCUIT CONDUCTORS OR A FAULT IN ANY WIRING SUPPLYING THIS DEVICE.

CATALOG NO. 26020M
120VAC, 60HZ
15 AMPERES, 1800 WATTS
SOUTHWIRE COMPANY, LLC
ONE SOUTHWIRE DRIVE
CARROLLTON, GA 30119

↓ OUTPUT/LOAD ↓

RAINPROOF CLASS A

**BUILT FOR DURABILITY.
BUILT FOR RELIABILITY.
BUILT FOR WORK.™**

1-855-798-6657 | SOUTHWIRE.COM

©2023 Southwire Company, LLC. All rights reserved.
*Registered Trademark & ™Trademark of Southwire Company, LLC.