



# Southwire™

## 45° BELL END ELBOWS

### SCHEDULE 40 PVC

#### FEATURES

- A section of Schedule 40 PVC conduit which has been heated and bent to enable a 45° directional change in a conduit run
- A standard conduit bell is formed on one end while the other end is a spigot (plain) end
- Both ends are solvent weld

#### APPLICATION

- Can be used above ground or buried; suitable for use in concrete encasement

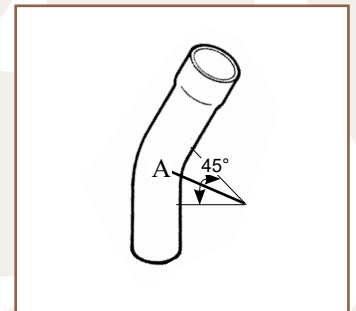
#### STANDARD MATERIAL

- Schedule 40 PVC



1251TZ

PART #	SIZE	MASTER QTY.	WEIGHT/ CASE (LBS.)	A MIN. RADIUS
1251TZ	1/2"	50	5	4
1252	3/4"	25	4	4.50
1253	1"	25	7	5.75
1254	1-1/4"	25	9	7.25
1255TZ	1-1/2"	20	11	8.25
1256	2"	10	8	9.50
1257	2-1/2"	20	30	10.50
1258	3"	8	20	13
1259	3-1/2"	5	15	15
1260	4"	20	87	16
1260A	5"	1	5	24
1260B	6"	1	7	30



Rev. 0, 03/23

**BUILT FOR DURABILITY.  
BUILT FOR RELIABILITY.  
BUILT FOR WORK.™**

1-855-798-6657 | SOUTHWIRE.COM

©2023 Southwire Company, LLC. All rights reserved.  
\*Registered Trademark & ™Trademark of Southwire Company, LLC.