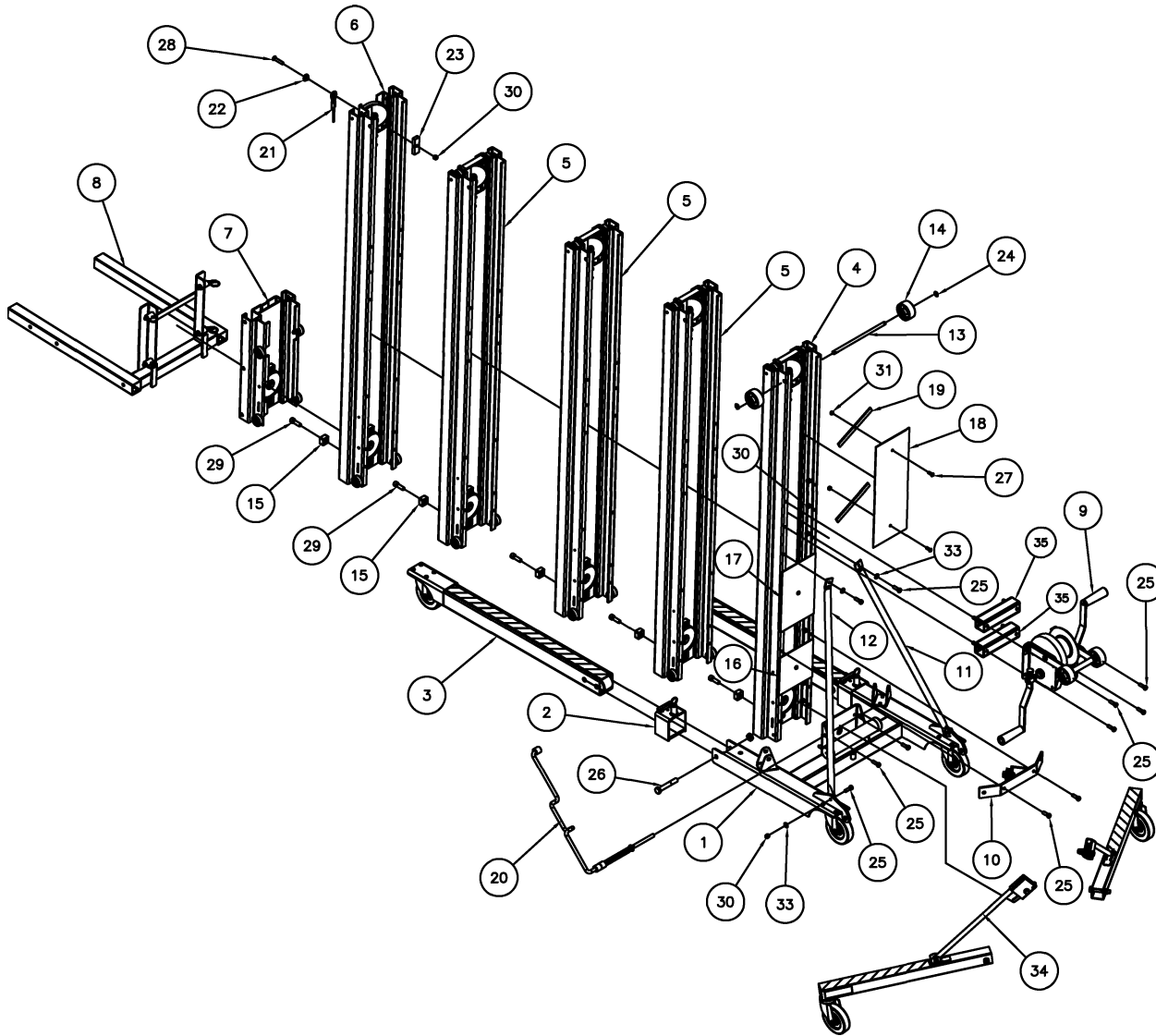


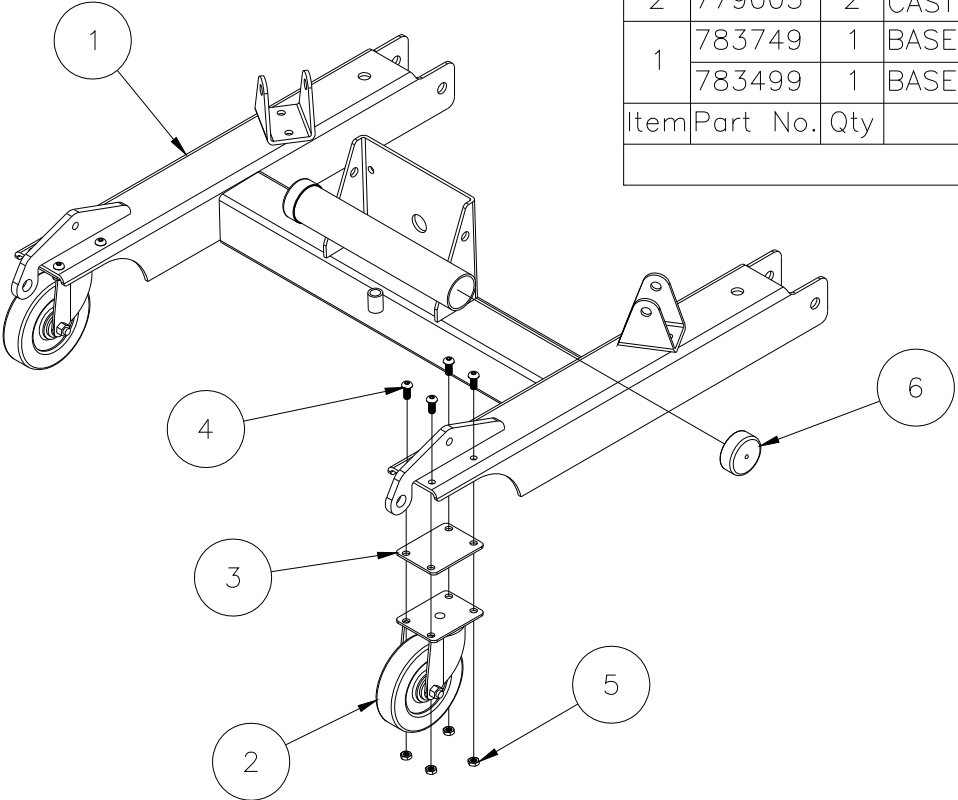


# 2010/2015/2020/2025 MATERIAL LIFT ASSEMBLY



36	778382	1	LABEL KIT, 2000 SERIES LIFT -- NOT SHOWN
35	783552	2	STANDOFF (MODEL 2010)
34	783935	1	OUTRIGGER ASSEMBLY 2000/2100 (MODEL 2020, 2025)
33	773040	4	WASHER, FLAT 3/8 USS
32	772503	2	NUT, INSERT JAM 5/8-11
31	772502	4	NUT, INSERT JAM 5/16-18
30	772355	15	NUT, INSERT LOCK 3/8-16 (MODEL 2015, 2020, 2025)
	772355	19	NUT, INSERT LOCK 3/8-16 (MODEL 2010)
	771257	5	SCREW, SHC 1/2-13 X 1-1/2 (MODEL 2025)
	771257	4	SCREW, SHC 1/2-13 X 1-1/2 (MODEL 2020)
	771257	3	SCREW, SHC 1/2-13 X 1-1/2 (MODEL 2015)
	771257	2	SCREW, SHC 1/2-13 X 1-1/2 (MODEL 2010)
28	771248	1	SCREW, FHSC 3/8-16 X 2
27	771239	4	SCREW, BHC 5/16-18 X 7/8
26	771146	2	SCREW, HHC 5/8-11 X 4
25	771060	14	SCREW, HHC 3/8-16 X 1-1/4 (MODEL 2015, 2020, 2025)
	771060	18	SCREW, HHC 3/8-16 X 1-1/4 (MODEL 2010)
24	774053	2	COTTER, CIRCLE Z/P .048 X 3/4
23	783551	1	LOCK BLOCK
22	782910	1	ROPE RET. WASHER 715/720
	783856	1	LOAD LINE ASSY, 2025 LIFT
	783887	1	LOAD LINE ASSY, 2020 LIFT
	783834	1	LOAD LINE ASSY, 2015 LIFT
	783886	1	LOAD LINE ASSY, 2010 LIFT
20	783040	1	MAST HOLD DOWN ASSY, BAR TYPE
19	783545	4	STRAP
18	783813	1	MAST COVER -- TOP, EVENTER
17	783505	1	MAST COVER -- MIDDLE
16	783504	1	MAST COVER -- BOTTOM
	783575	5	STOP BLOCK (MODEL 2025)
	783575	4	STOP BLOCK (MODEL 2020)
	783575	3	STOP BLOCK (MODEL 2015)
	783575	2	STOP BLOCK (MODEL 2010)
14	779012	2	WHEEL, POLY OLEFIN 3"
13	783620	1	SHAFT, ROLLER
12	780820	1	BRACE, MAST, RIGHT 2000/2100
11	780819	1	BRACE, MAST, LEFT 2000/2100
10	783582	1	SPREADER PLATE ASSEMBLY
9	784490	1	NL WINCH ASSEMBLY
8	783653	1	FORK ASSEMBLY, 2000/2100
7	783533	1	CARRIAGE ASSEMBLY
6	783826	1	TOP MAST ASSY -- HD
	783825	3	CTR MAST ASSY -- HD (MODEL 2025)
	783825	2	CTR MAST ASSY -- HD (MODEL 2020)
	783825	1	CTR MAST ASSY -- HD (MODEL 2015)
4	783824	1	BTM MAST ASSY -- HD
	783739	2	FRONT LEG ASSY 18/20/24/25
	783730	2	FRONT LEG ASSY 10/12/15
2	783746	2	LEG LOCK ASSEMBLY, 2100 SERIES
1	783750	1	BASE ASSEMBLY, 2100 SERIES
Item No.	Part No.	Qty	Description
Parts List			

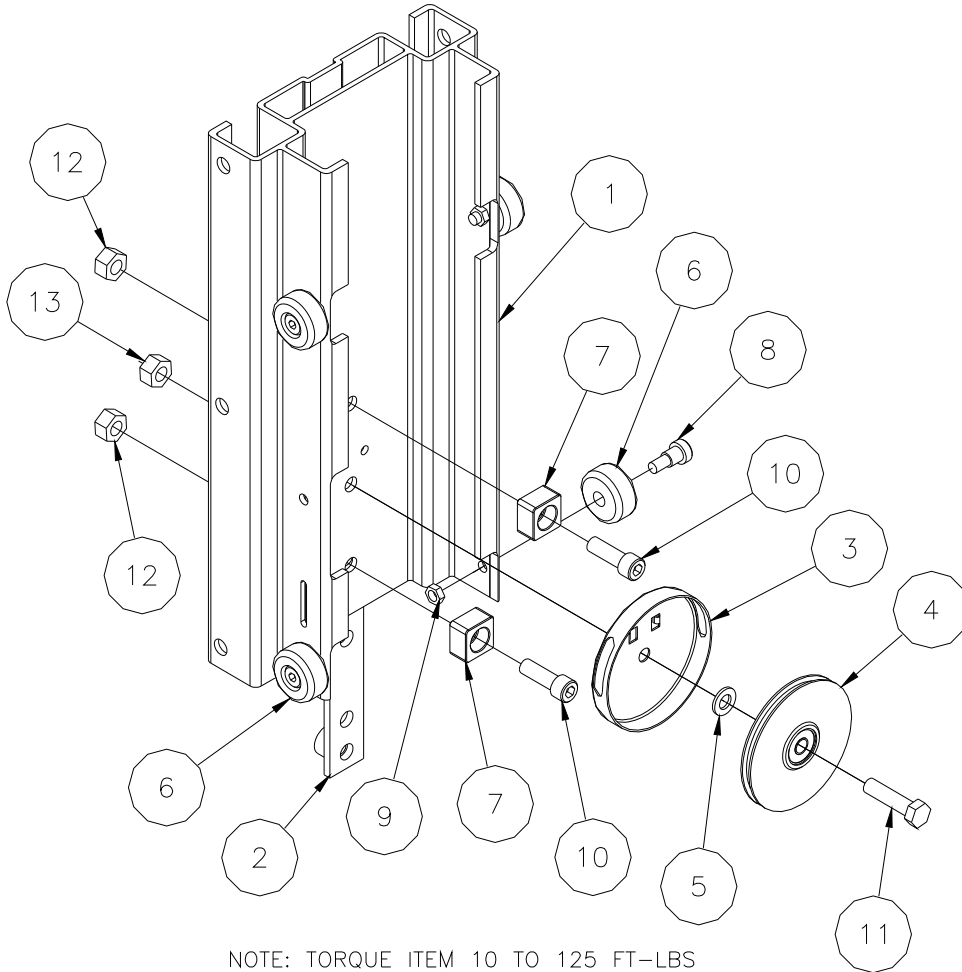
# 783750 - BASE ASSEMBLY



6	779905	2	CAP, 2" OD TUBE, BLACK
5	772502	8	NUT, INSERT JAM 5/16-18
4	771239	8	SCREW, BHC 5/16-18 X 3/4
3	773098	2	SPACER 2-3/4 X 3-3/4 X 1/8 THK.
2	779005	2	CASTER 5" PLATE SWIVEL (RED)
1	783749	1	BASE WELDMENT, 2100 SERIES
	783499	1	BASE WELDMENT, 2100 SERIES GALV.
Item	Part No.	Qty	Description
Parts List			



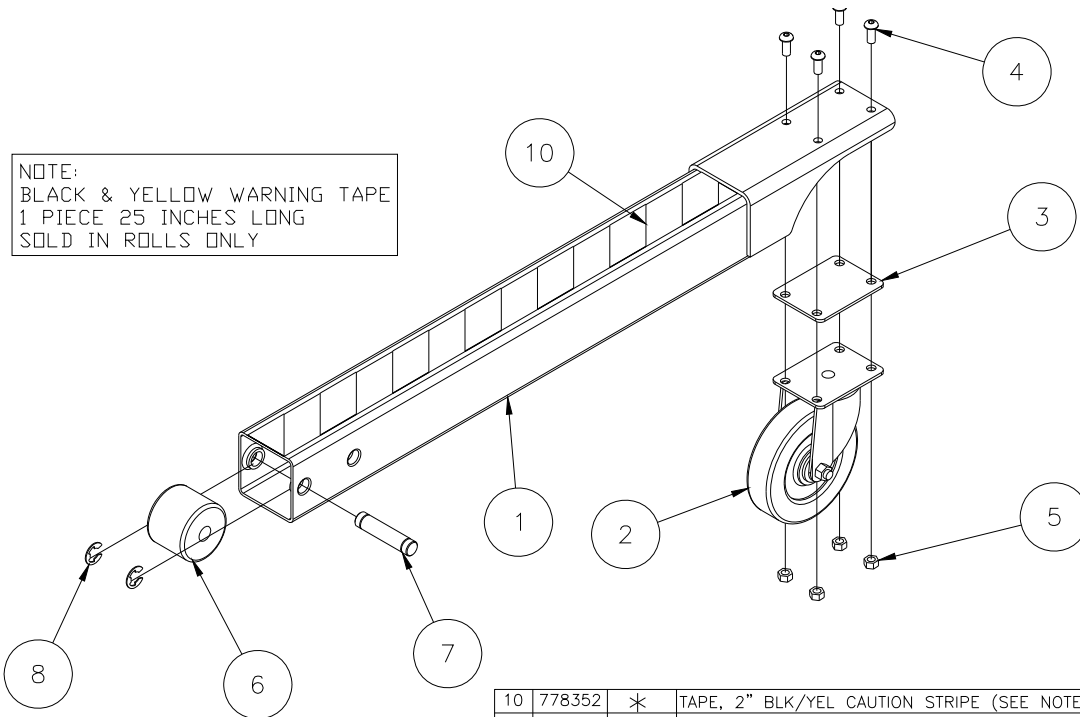
# 783533 - CARRIAGE ASSEMBLY



NOTE: TORQUE ITEM 10 TO 125 FT-LBS

13	772800	1	INSERT LOCKNUT 12mm
12	772357	2	INSERT LOCKNUT 1/2-13
11	771161	1	HHCS-12mm X 40mm
10	771257	2	SHCS 1/2-13 X 1-1/2
9	772350	4	INSERT JAM LOCKNUT 3/8-16
8	771350	4	SHOULDER BOLT 1/2 X 1/2
7	783575	2	STOP BLOCK
6	783540	4	MAST ROLLER
5	773096	1	WASHER, FLAT M12
4	783812	1	PULLEY ASSEMBLY
3	783536	1	PULLEY GUARD
2	783503	1	BACKING PLATE WELDMENT
1	783534	1	CARRIAGE
Item	Part No.	Qty	Description
Parts List			

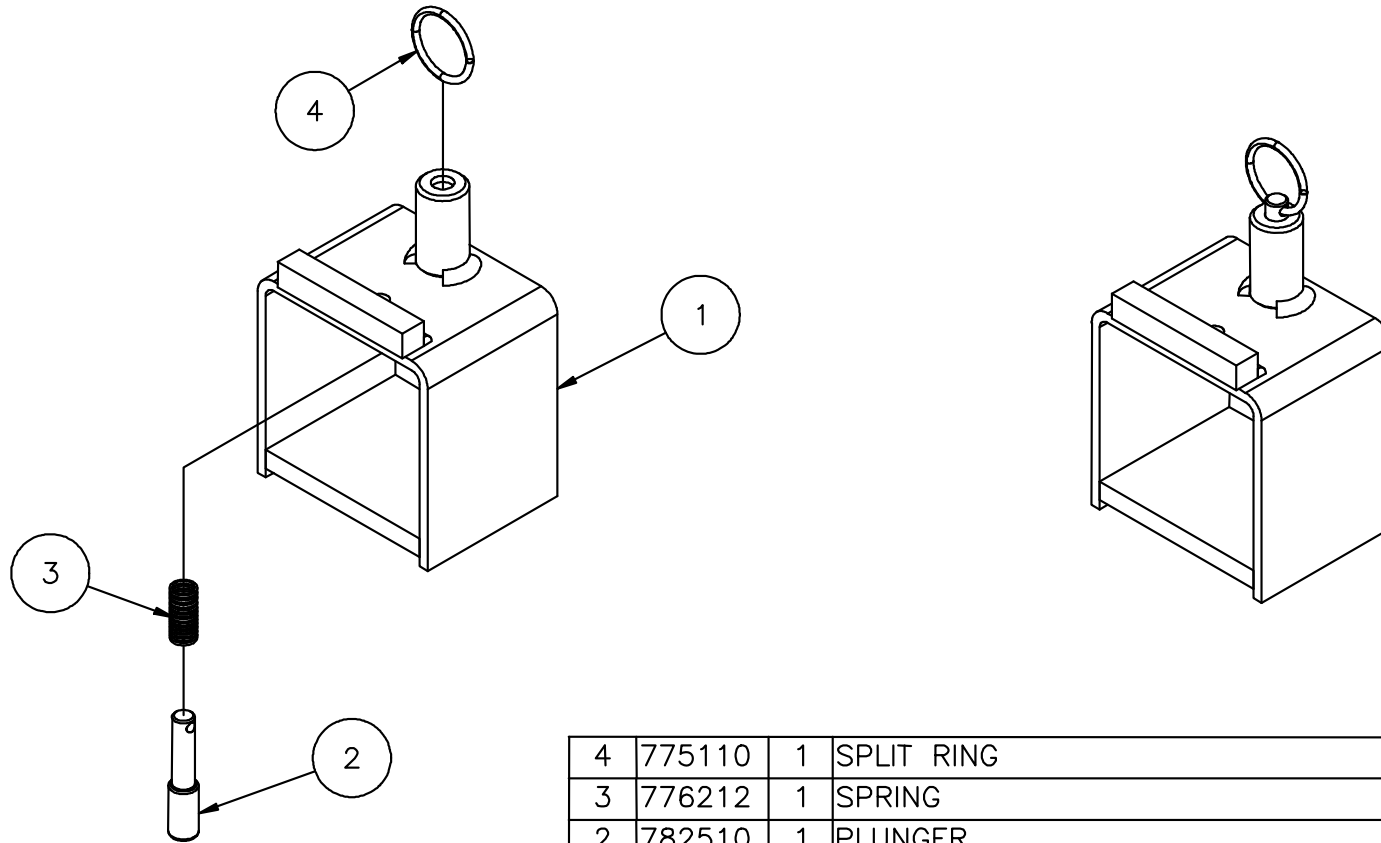
# 783730/783739 - FRONT LEG ASSEMBLY



NOTE:  
BLACK & YELLOW WARNING TAPE  
1 PIECE 25 INCHES LONG  
SOLD IN ROLLS ONLY

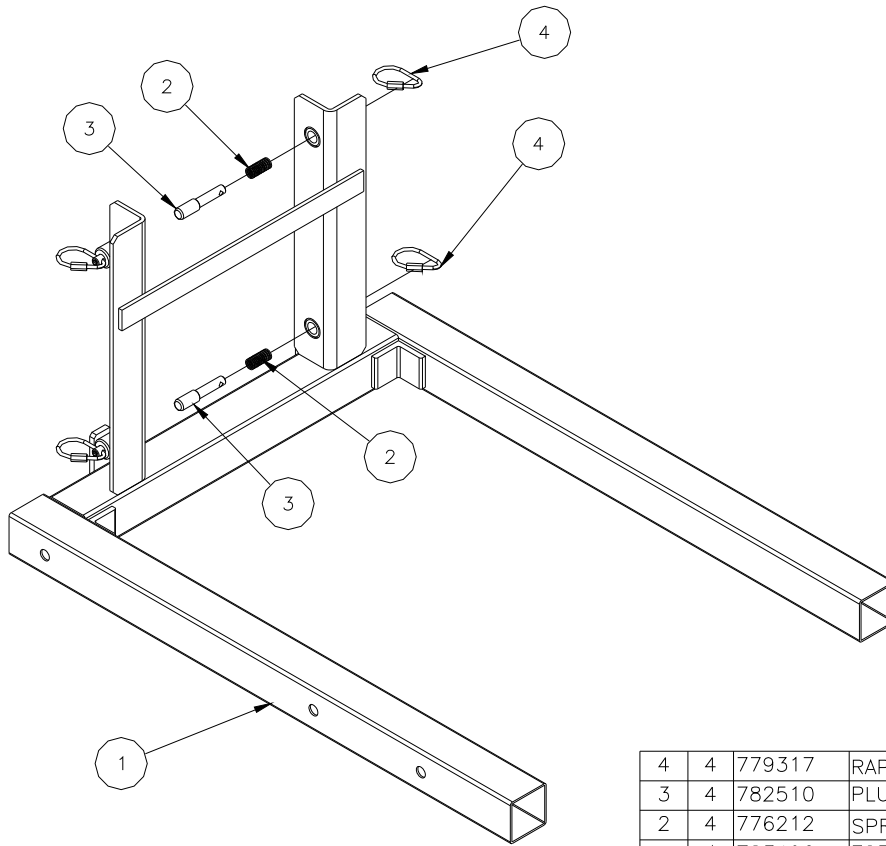
10	778352	*	TAPE, 2" BLK/YEL CAUTION STRIPE (SEE NOTE)	*
8	776077	2	RETAINER RING #5133-62	
7	783644	1	SHAFT, LEG ROLLER	
6	783569	1	ROLLER, LEG	
5	772502	4	NUT, INSERT JAM 5/16-18	
4	771239	4	SCREW, BHC 5/16-18 X 3/4	
3	783098	1	SPACER, CASTER PLATE	
2	779005	1	CASTER 5" PLATE SWIVEL (RED)	
1	783497	1	FRONT LEG WELDMENT 2020/2025/2118/2124 GALV.	
	783738	1	FRONT LEG WELDMENT 2020/2025/2118/2124	
	783498	1	FRONT LEG WELDMENT 2010/2015/2112 GALV.	
	783732	1	FRONT LEG WELDMENT 2010/2015/2112	
Item	Part No.	Qty	Description	
Parts List				

# 783746 - LEG LOCK ASSEMBLY



4	775110	1	SPLIT RING
3	776212	1	SPRING
2	782510	1	PLUNGER
1	783740	1	LEG LOCK WELDMENT
Item	Part No.	Qty	Description
Parts List			

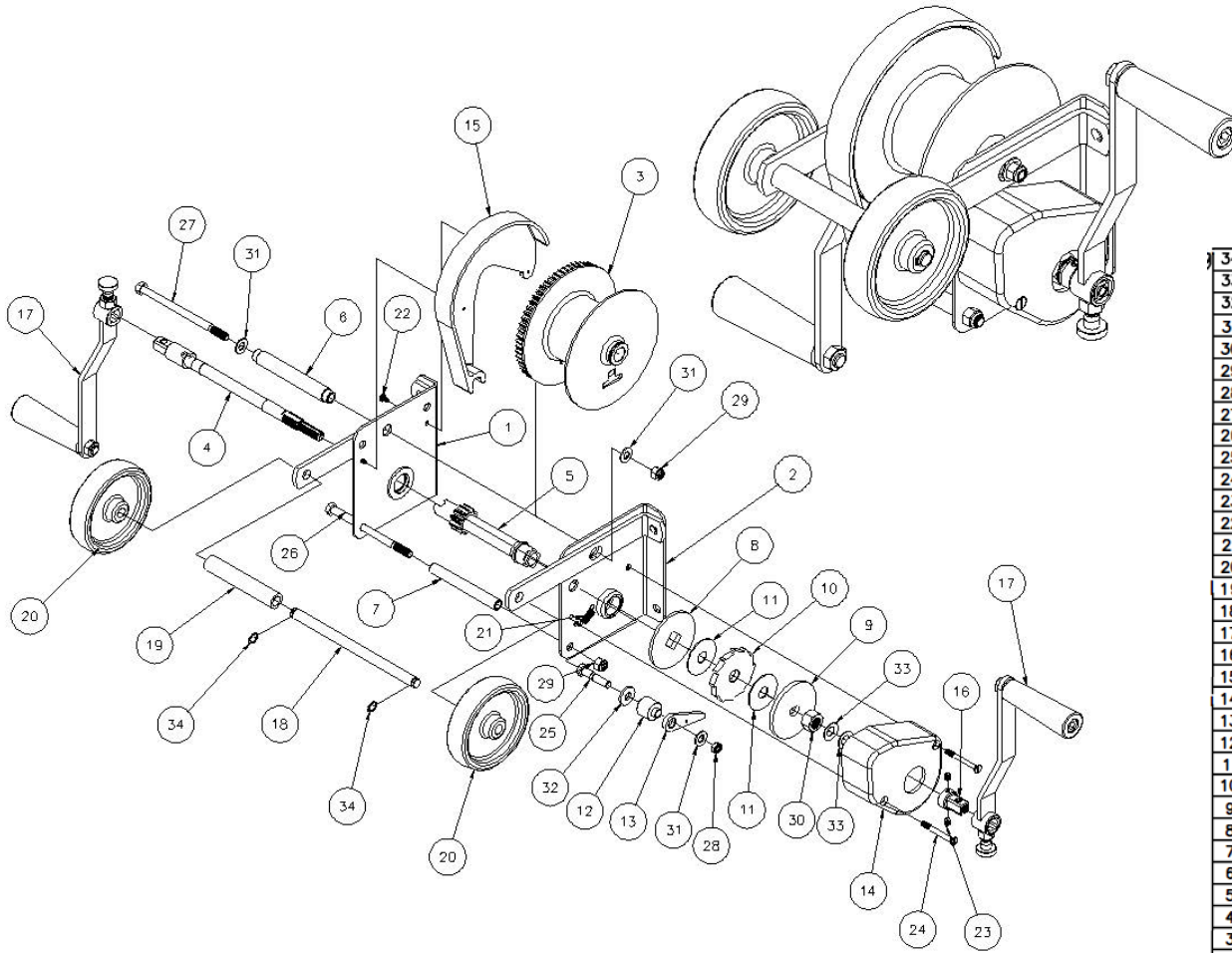
# 783653 - STANDARD FORK ASSEMBLY



4	4	779317	RAPID LINK, PEAR SHAPED 1/8"
3	4	782510	PLUNGER
2	4	776212	SPRING, #C0480-042-1250-M
1	1	783496	FORK WELDMENT GALVANIZED
	1	783547	FORK WELDMENT
Item	Qty	PART #	DESCRIPTION
Parts List			

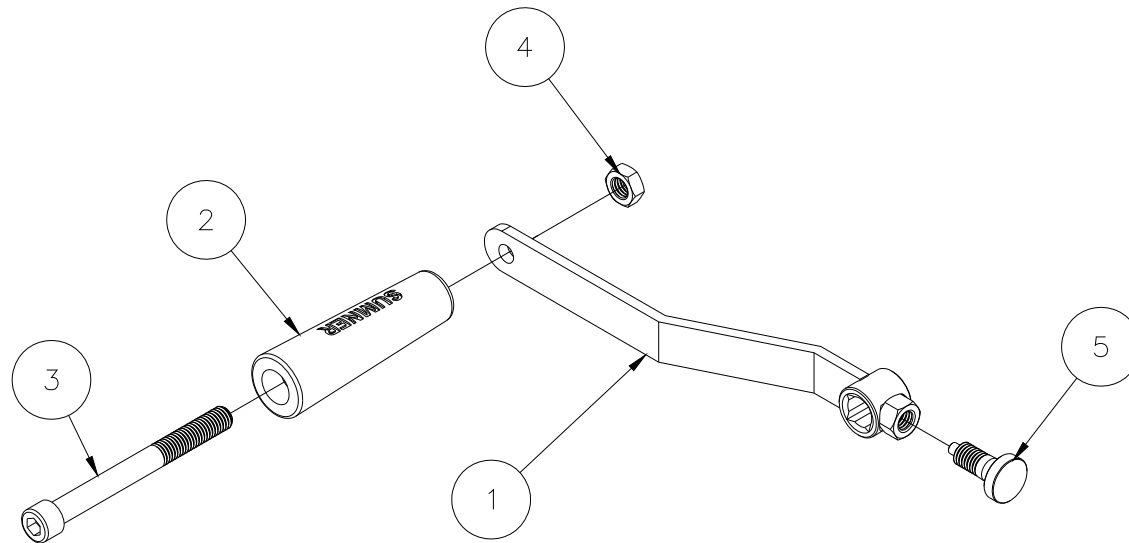


# 784490 - NL WINCH ASSEMBLY



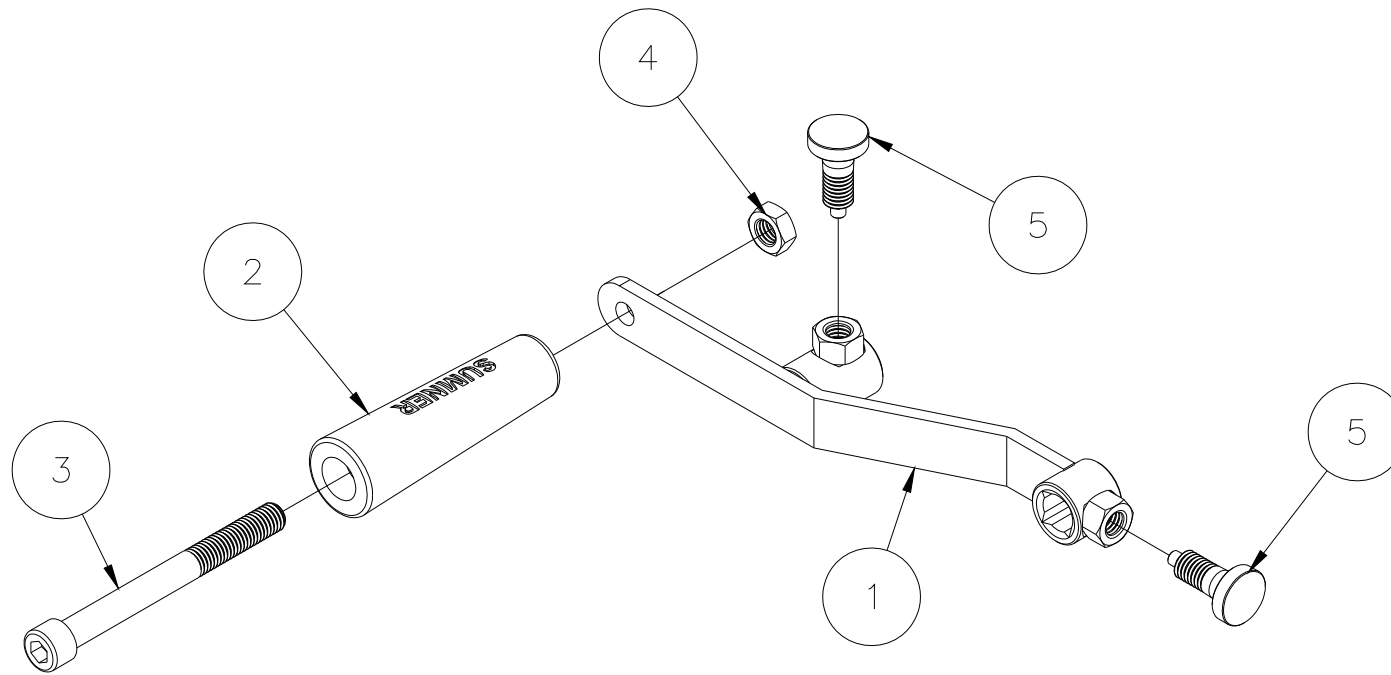
34	776072	2	RETAINER RING #5100-50
33	773085	2	WASHER, BELLVILLE SPRING
32	773631	1	WASHER, FLAT OVERSIZED 3/8 X .140 THK.
31	773040	3	WASHER, FLAT 3/8 USS
30	772375	1	NUT, INSERT LOCK 5/8-18
29	772355	2	NUT, INSERT LOCK 3/8-16
28	772502	1	NUT, INSERT JAM 5/16-18
27	771105	1	SCREW, HHC 3/8-16 X 6
26	771111	1	SCREW, HHC 3/8-16 X 5-1/2
25	771100	1	SCREW, HHC 3/8-16 X 1-3/4
24	771290	2	SCREW, FHM 1/4-20 X 2-1/4
23	771431	2	SCREW, SET 1/4-20 X 5/16 FLT PT
22	776042	2	SCREW, SM #8 X 1/2 PPHF
21	783621	1	RATCHET DOG SPRING
20	779045	2	WHEEL, POLY OLEFIN 5"
19	783764	1	SLEEVE, ROLLER SHAFT
18	782619	1	SHAFT, ROLLER 712 WINCH
17	783757	2	WINCH HANDLE ASSEMBLY, MX
16	784284	1	WINCH HANDLE ADAPTER
15	783611	1	GEAR COVER
14	783612	1	BRAKE COVER
13	780216	1	HOIST RATCHET DOG WJ-19
12	783598	1	SPACER - RACHET
11	783615	2	BRAKE DISC
10	780214	1	BRAKE RATCHET WJ-17
9	780212	1	PLATE, OUTER BRAKE DISC WJ-15
8	784498	1	PLATE, INNER BRAKE DISC, NL WINCH
7	783599	1	SPACER - WINCH SIDE PLATE
6	783606	1	DRUM SPACER SHAFT
5	784500	1	SHAFT, HOIST DRUM PINION, SQ END
4	783754	1	DRIVE SHAFT, MX WINCH
3	783613	1	DRUM ASSEMBLY
2	784494	1	SIDE PLATE ASSY - RH, NEW MX WINCH
1	784492	1	SIDE PLATE ASSY - LH, NEW MX WINCH
Item	Part No.	Qty	Description
Parts List			

# 783757 - STANDARD WINCH HANDLE - MX WINCH



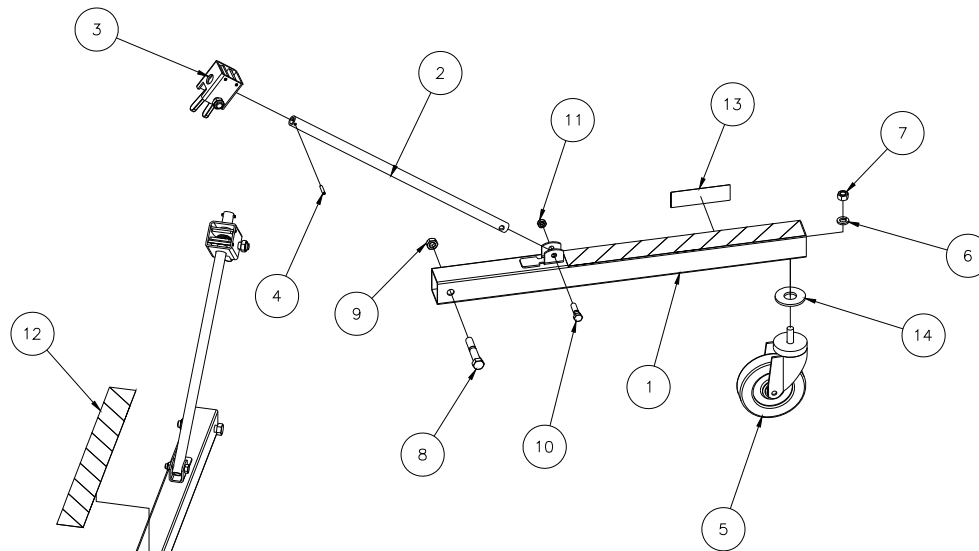
5	774180	1	PLUNGER ASSEMBLY
4	772358	1	1/2-13 INSERT JAM LOCK NUT
3	771254	1	SHCS 1/2-13 x 5
2	780182	1	WINCH HANDLE SLEEVE
1	783756	1	HANDLE WELDMENT
Item	Part No.	Qty	Description
Parts List			

# 783759 - TWO-SPEED WINCH HANDLE



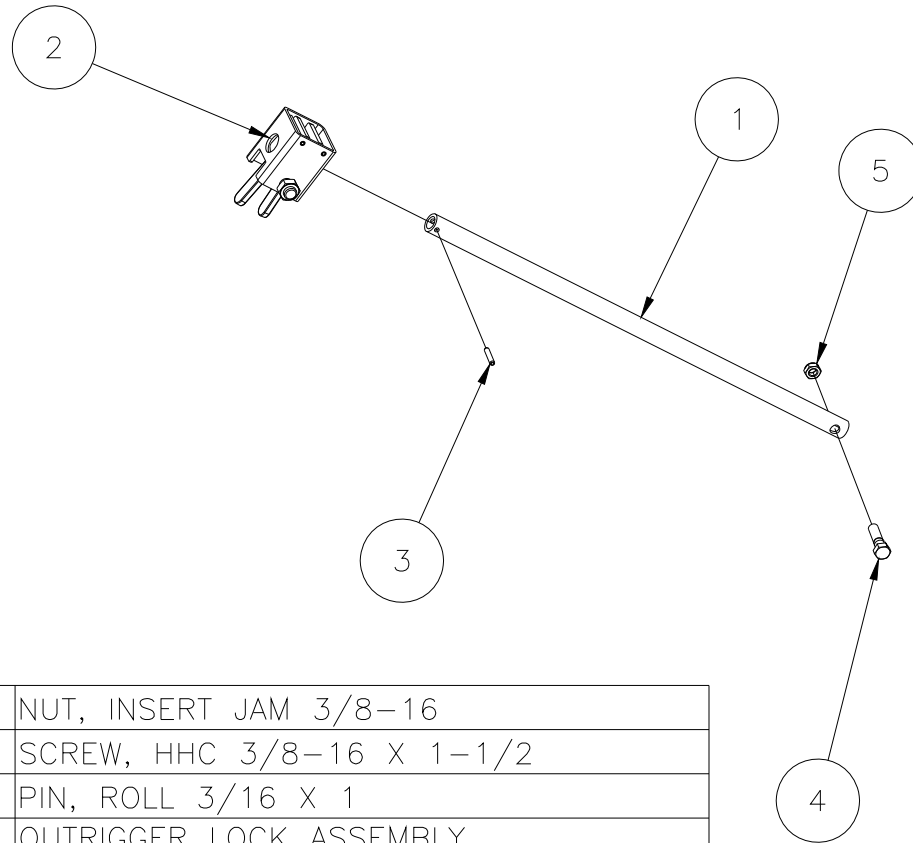
5	774180	2	PLUNGER ASSEMBLY
4	772358	1	1/2-13 INSERT JAM LOCK NUT
3	771253	1	SHCS 1/2-13 x 5
2	780182	1	WINCH HANDLE SLEEVE
1	783758	1	2 SPEED HANDLE WELDMENT
Item	Part No.	Qty	Description
Parts List			

# 783935 - OUTRIGGER ASSEMBLY



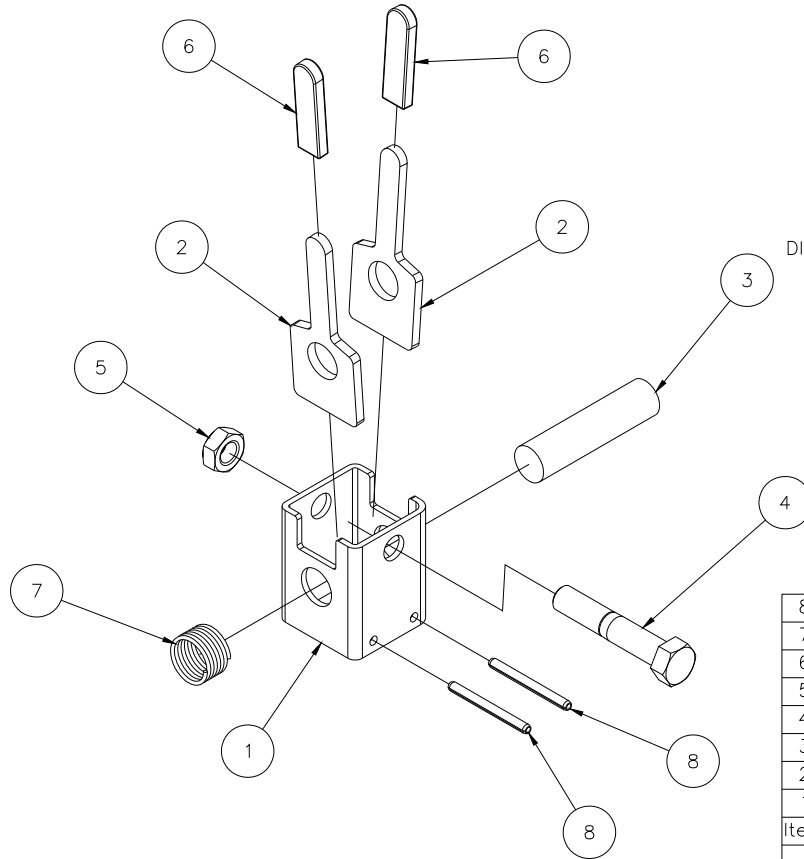
14	773091	2	WASHER, FLAT 7/8" USS PLT'D.
13	778348	2	LABEL, LOWER STAB'LZR LEGS
12	778352	2	TAPE, 2" B/Y CAUTION STRIPE
11	772350	2	NUT, INSERT JAM 3/8-16
10	771090	2	SCREW, HHC 3/8-16 X 1-1/2
9	772358	2	NUT, INSERT JAM 1/2-13
8	771142	2	SCREW, HHC 1/2-13 X 3
7	772801	2	NUT, HEX 12MM PLT'D.
6	773590	2	WASHER, LOCK 1/2"
5	779002	2	CASTER, 125 X 32 12MM STEM
4	774080	2	PIN, ROLL 3/16 X 1
3	783940	2	OUTRIGGER LOCK ASSEMBLY
2	783943	2	OUTRIGGER SUPPORT TUBE
1	783528	2	LEG WELDMENT, OUTRIGGER
Item	Part No.	Qty	Description
Parts List			

## 783945 - OUTRIGGER LOCK KIT, 2000/2100



5	772350	1	NUT, INSERT JAM 3/8-16
4	771090	1	SCREW, HHC 3/8-16 X 1-1/2
3	774080	1	PIN, ROLL 3/16 X 1
2	783940	1	OUTRIGGER LOCK ASSEMBLY
1	783943	1	OUTRIGGER SUPPORT TUBE
Item	Part No.	Qty	Description
Parts List			

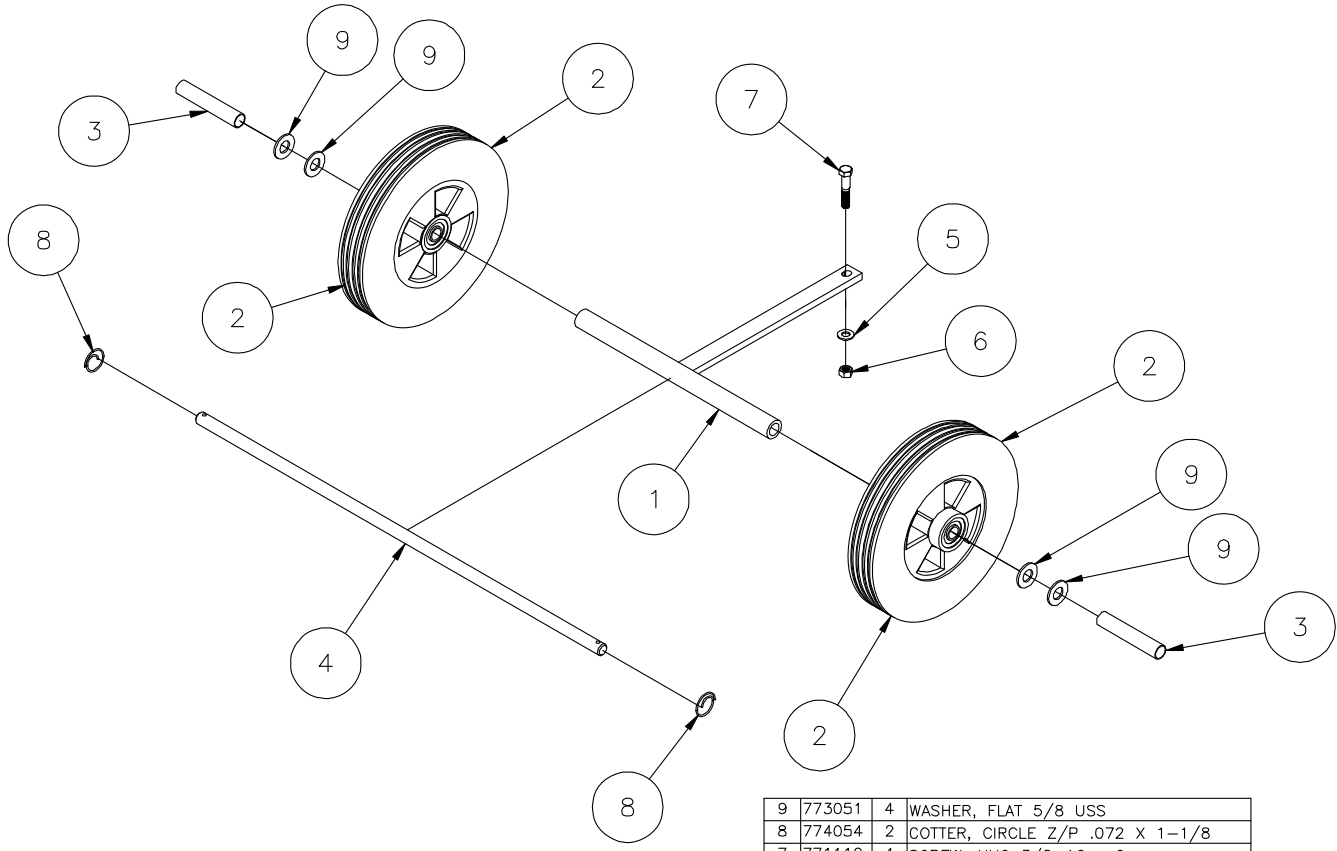
# 783940 - OUTRIGGER LOCKS



DISCARD ITEM #3 ONCE THE OUTRIGGER LOCK ASSEMBLY IS IN PLACE ON THE OUTRIGGER SUPPORT TUBE

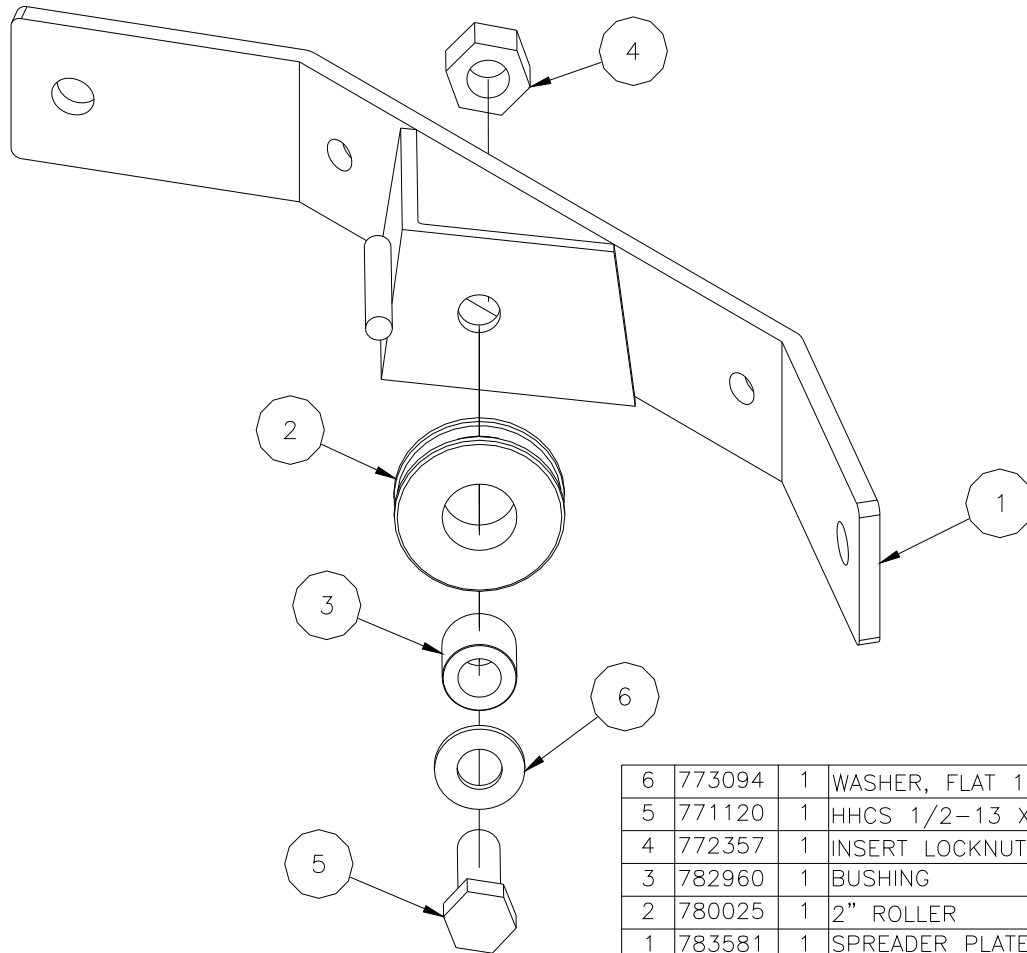
8	774084	2	PIN, ROLL 3/16 X 2
7	776221	1	SPRING, CENTURY #2952
6	779938	2	CAP, RECT RD END 3/16 X 1/2 X 2
5	772358	1	NUT, INSERT JAM 1/2-13
4	771141	1	SCREW, HHC 1/2-13 X 2-3/4
3	783944	1	OUTRIGGER SUPPORT TUBE STUB
2	783942	2	OUTRIGGER LOCK FINGER
1	783941	1	OUTRIGGER LOCK TUBE
Item	Part No.	Qty	Description
Parts List			

# 783736 - 10" WHEEL KIT - OPTIONAL



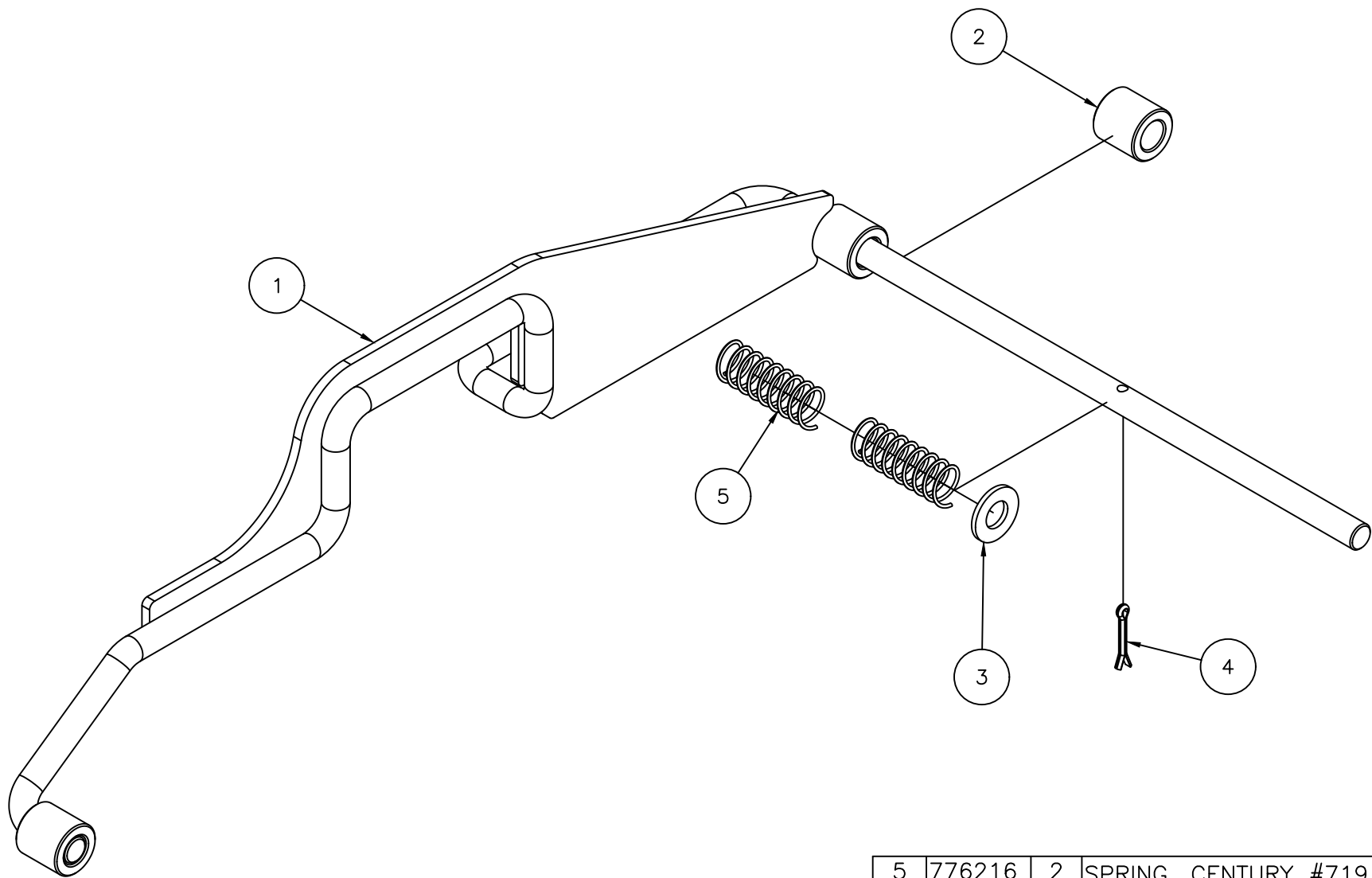
9	773051	4	WASHER, FLAT 5/8 USS
8	774054	2	COTTER, CIRCLE Z/P .072 X 1-1/8
7	771112	1	SCREW, HHC 3/8-16 x 2
6	772355	1	NUT, INSERT LOCK 3/8-16
5	773040	1	WASHER, FLAT 3/8 USS
4	782544	1	AXLE, MODEL 209
3	774039	2	SPACER, BUTTITE 5/8 X 4
2	779011	2	WHEEL, 10" RUBBER TIRE
1	783735	1	AXLE SUPPORT WELDMENT, 2100 SERIES
Item	Part No.	Qty	Description
Parts List			

# 783582 - SPREADER PLATE ASSEMBLY



6	773094	1	WASHER, FLAT 1/2
5	771120	1	HHCS 1/2-13 X 1-1/2
4	772357	1	INSERT LOCKNUT 1/2-13
3	782960	1	BUSHING
2	780025	1	2" ROLLER
1	783581	1	SPREADER PLATE WELDMENT
Item	Part No.	Qty	Description
Parts List			

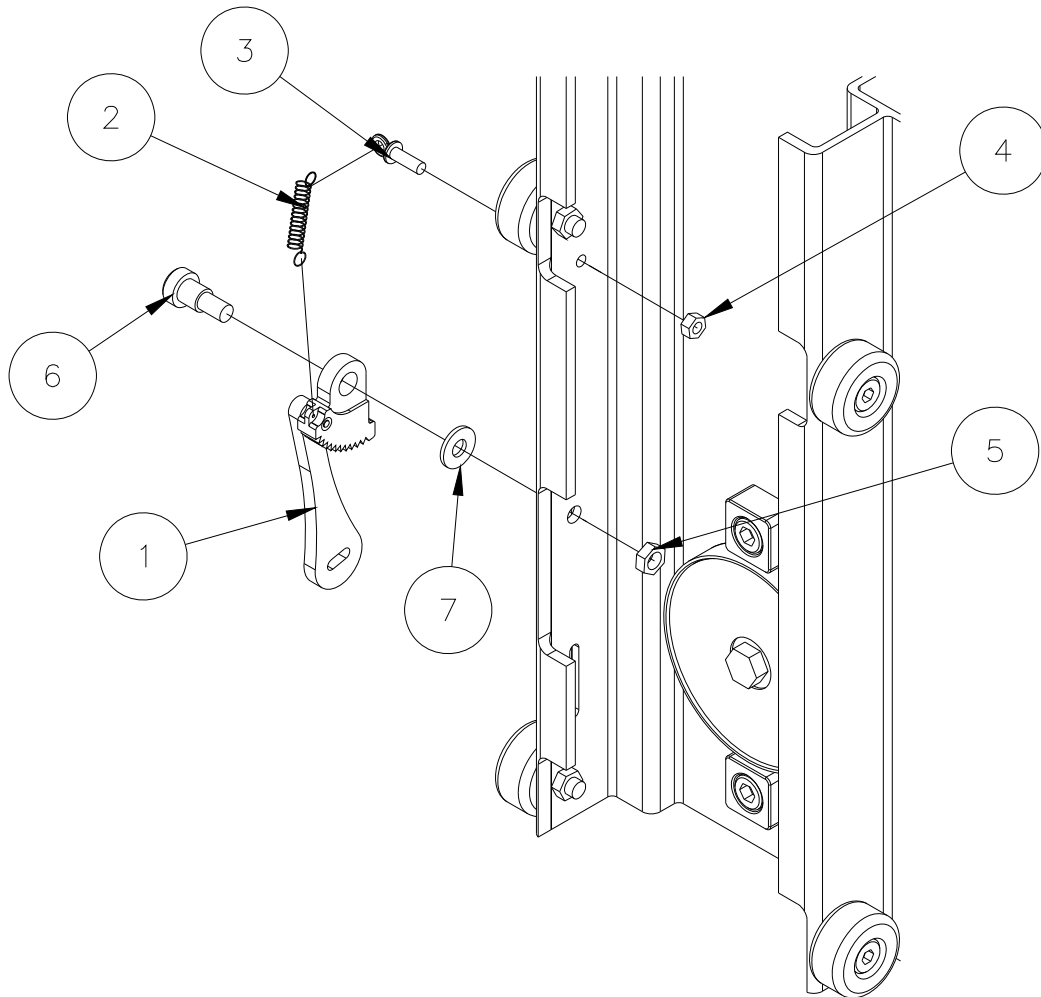




5	776216	2	SPRING, CENTURY #71912S
4	774051	1	PIN, COTTER 1/8 X 3/4
3	773096	1	WASHER, FLAT M12
2	783045	1	MAST HOLD DOWN SPACER PLTD.
1	783041	1	MAST HOLD DOWN WELDMENT
Item	Part No.	Qty	Description
Parts List			

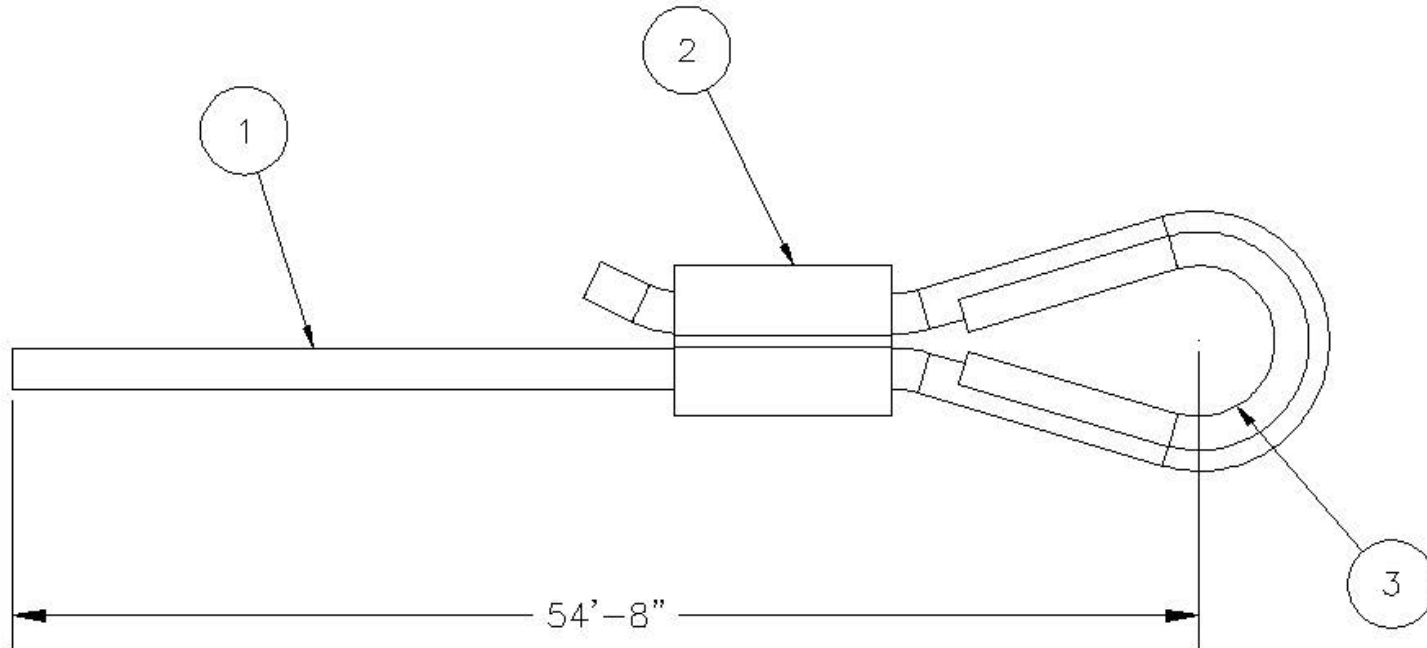
# 783881 - BRAKE INSTALLATION - OPTIONAL

NOTE: WHEN ORDERING BRAKES, YOU MUST SPECIFY LIFT MODEL NUMBER



7	773042	1	5/16 FLAT WASHER
6	771350	1	SHOULDER BOLT 1/2 X 1/2
5	772350	1	INSERT JAM LOCKNUT 3/8-16
4	772076	1	INSERT LOCKNUT 1/4-20
3	779900	1	ADJUSTING SCREW
2	783530	1	EXTENSION SPRING
1	783529	1	BRAKE CAM & WEIGHT ASSEMBLY
Item	Part No.	Qty	Description
Parts List			

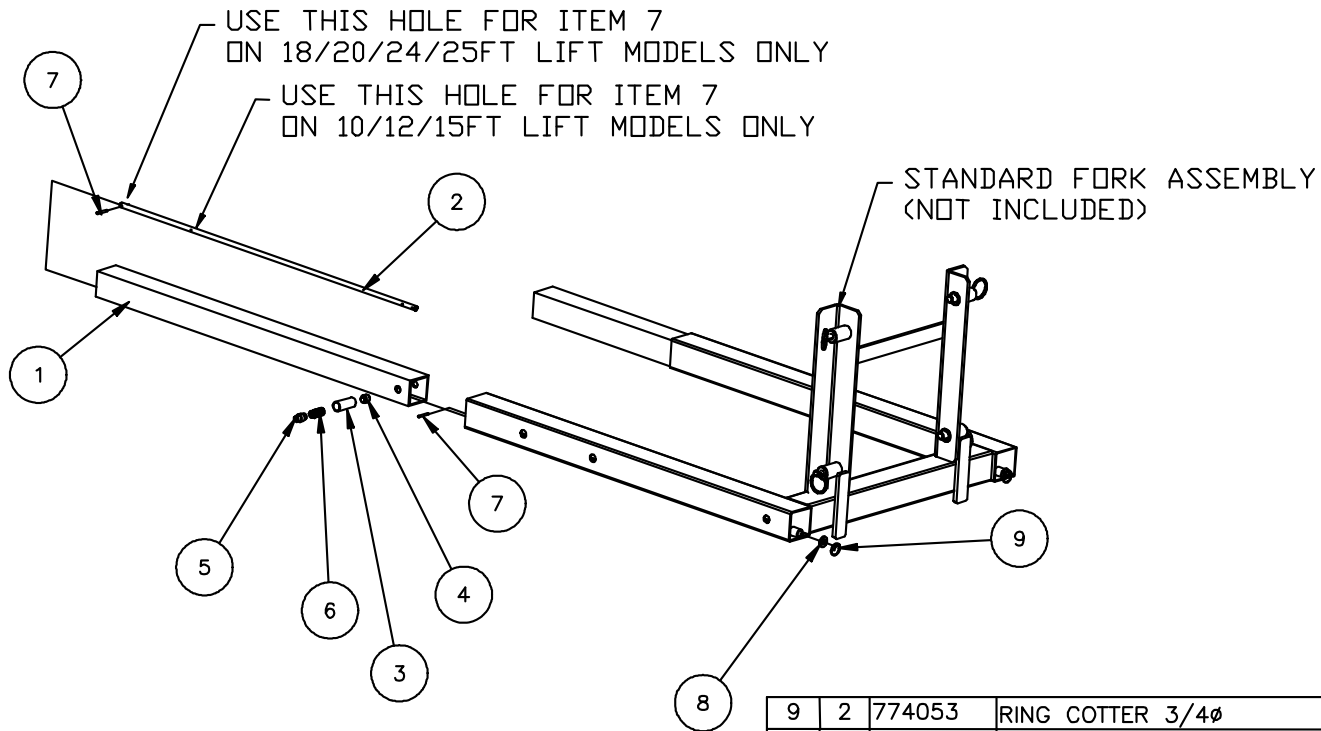
# 784797 - LOAD LINE, 2016S



CUT LENGTH OF CABLE = 55'-0"

3	774110	1	THIMBLE, 7/32"
2	774062	1	FERREL DUPLEX ALUMINUM 7/32"
1	774220	1	CABLE, 7/32" 7 X 19 GALV AC
Item	Part No.	Qty	Description
Parts List			

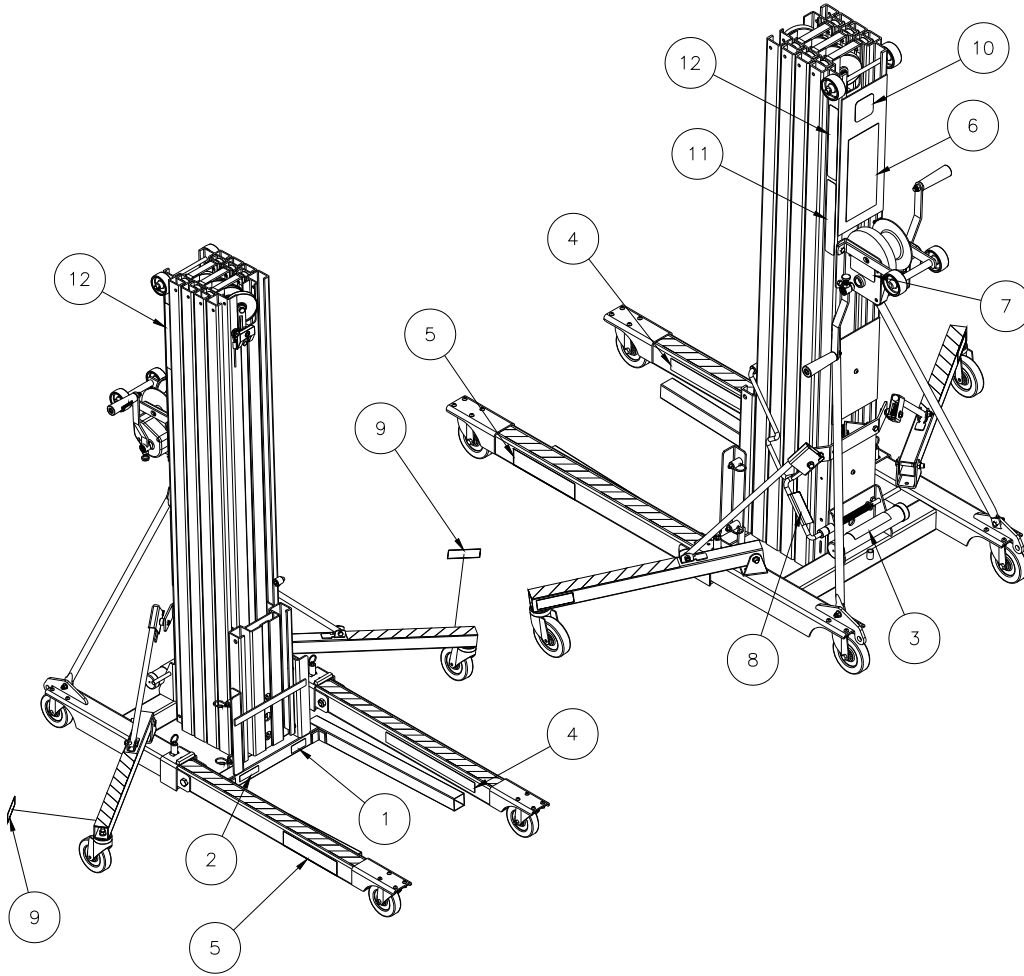
# 783691 - FORK EXTENSION KIT ASSEMBLY



NOTE CORRECT POSITION FOR ROLL PIN IN LIMIT ROD FOR EACH MODEL. USING THE OUTSIDE HOLE FOR 10-15FT MODELS MAY CAUSE AN UNSTABLE CONDITION WITH A LARGE LOAD. USE OF FORK EXTENSIONS REDUCES THE RATED CAPACITY TO 200 POUNDS AT THE END. REFER TO OWNERS MANUAL.

9	2	774053	RING COTTER 3/4 $\phi$
8	2	773042	WASHER 5/16
7	4	774092	ROLL PIN
6	2	776212	SPRING
5	2	783509	LOCK PIN
4	2	783508	PIN
3	2	774035	SPACER
2	2	783589	LIMIT ROD
1	2	783588	EXTENSION TUBE
Item	Qty	PART #	DESCRIPTION
Parts List			

# COMMON LABEL PLACEMENT



12	778368	2	LABEL, MODEL 2025
12	778367	2	LABEL, MODEL 2020
12	778366	2	LABEL, MODEL 2015
12	778365	2	LABEL, MODEL 2010
11	778369	1	LABEL, CE AND SERIAL NUMBER
10	778920	1	LABEL, CAUTION CARRIAGE LATCH
9	778348	2	LABEL, LOWER STABILIZER LEG
8	778461	1	LABEL, MAST HOLD DOWN BAR TYPE
7	778346	1	LABEL, WINCH RAISE/LOWER
6	778350	1	LABEL, GENERAL WARNINGS LARGE
5	778342	2	LABEL, SUMNER
4	778850	2	LABEL, DO NOT STAND UNDER LOAD
3	778906	1	LABEL, READ OPERATING INSTRUCTIONS
2	778339	1	LABEL, CARRIAGE LATCH WARNING
1	778347	1	LABEL, NO RIDER WARNING
Item	Part No.	Qty	Description
Parts List			