



**Southwire™**

# SWITCH COVER

## SINGLE

### FEATURES

- Weatherproof cover when closed

### APPLICATIONS

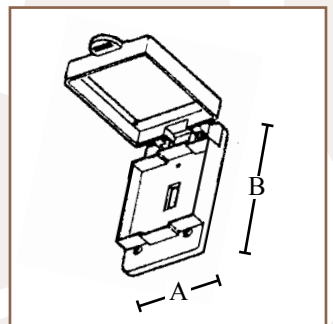
- Fits a single gang FS type box and covers a single or double pole standard 115 volt switch

### STANDARD MATERIAL

- PVC



1315



PART #	MASTER QTY.	WEIGHT/ CASE (LBS.)	A	B
1315	10	3	2.8125"	4.5625"

Rev. 0, 06/23

**BUILT FOR DURABILITY.  
BUILT FOR RELIABILITY.  
BUILT FOR WORK.™**

1-855-798-6657 | SOUTHWIRE.COM

©2023 Southwire Company, LLC. All rights reserved.  
\*Registered Trademark & ™Trademark of Southwire Company, LLC.