



Southwire™

TOP-BITE COMBINATION COUPLINGS

EMT SET SCREW TYPE TO FLEX

FEATURES

- Set screw type
- One piece tubular construction affording extra strength
- Dual gripping saddle clamps
- Saddle clamps ride up and down on screw for ease of installation
- Tri combo head screw

APPLICATION

- To connect Flex, AC, and MC cables to EMT conduit

STANDARD MATERIAL

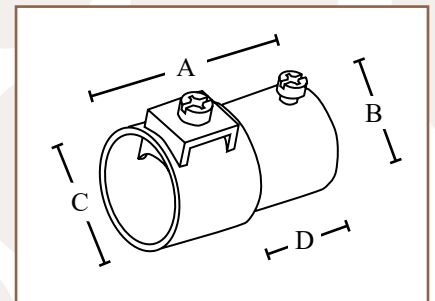
- Steel

STANDARD FINISH

- Zinc plated



420TBS



| PART # | SIZE | INNER QTY. | MASTER QTY. | WEIGHT/CASE (LBS.) | A | B | C | D |
|--------|------|------------|-------------|--------------------|--------|--------|--------|--------|
| 420TBS | 3/8" | 50 | 250 | 21 | 1.563" | .875" | .75" | .625" |
| 421TBS | 1/2" | 25 | 125 | 17 | 2" | .875" | 1.062" | .625" |
| 422TBS | 3/4" | 20 | 100 | 18 | 2.125" | 1.125" | 1.25" | .8125" |

Rev. 0, 01/23

**BUILT FOR DURABILITY.
BUILT FOR RELIABILITY.
BUILT FOR WORK.™**

1-855-798-6657 | SOUTHWIRE.COM

©2023 Southwire Company, LLC. All rights reserved.
*Registered Trademark & ™Trademark of Southwire Company, LLC.