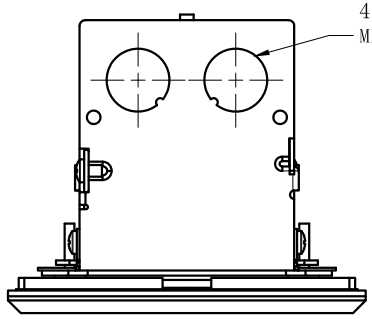
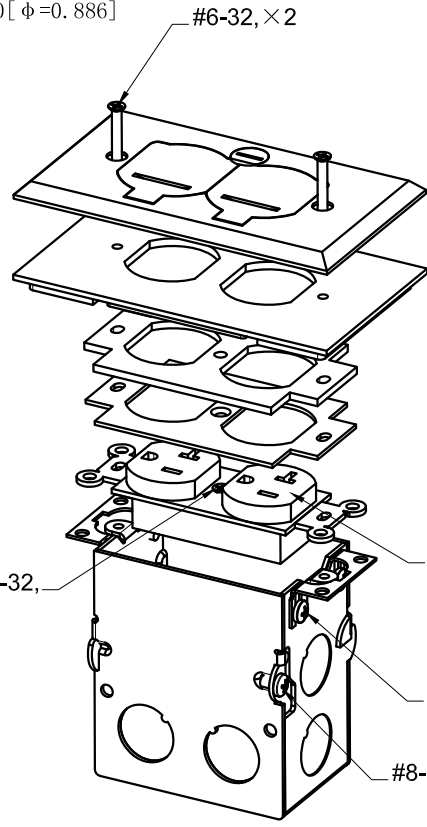


SIDES	BOTTOM
4 1/2" KNOCKOUTS	1/2" KNOCKOUTS
2 1/2" KNOCKOUTS	
Material:Brass	
Material:Steel-0.0625"-G60 Galvanized	
1 pcs #6-32×1/2 Screws Installed, Material: Nickel-plated Brass	
2 pcs #6-32×1 1/4 Screws Installed, Material:Nickel-plated Brass	
2 pcs #8-32×1/4 Screws Installed	
4 pcs #8-32×3/16 Screws Installed	
1 PCS #10-32×3/8 green zinc plate Screws Installed	



4 1/2"KNOCKOUTS $\phi=22.50$ [$\phi=0.886$]
MIRROR



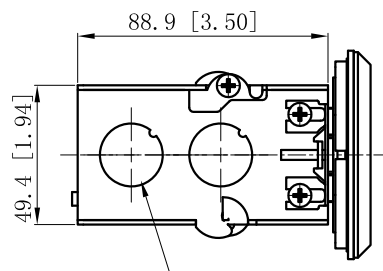
#6-32, × 2

1 Duplex receptacle

#6-32,

#8-32, × 4

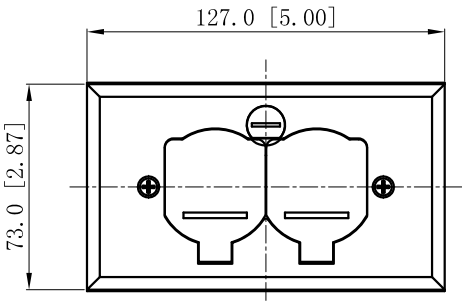
#8-32, × 2



88.9 [3.50]

49.4 [1.94]

4 1/2"KNOCKOUTS $\phi=22.50$ [$\phi=0.886$]
MIRROR



127.0 [5.00]

73.0 [2.87]

This data sheet is for reference only.GARVIN INDUSTRIES reserves the right to make changes to the design without prior notice.

DESCRIPTION
TRADE REFERENCE TERMS

STANDARD PACKING
20 PCS

GARVIN INDUSTRIES		
Rectangular - recessed floor cover		
SIZE	DWG NO.	REV
A4	FBCVBR-1TR-KIT	
DATA SHEET		