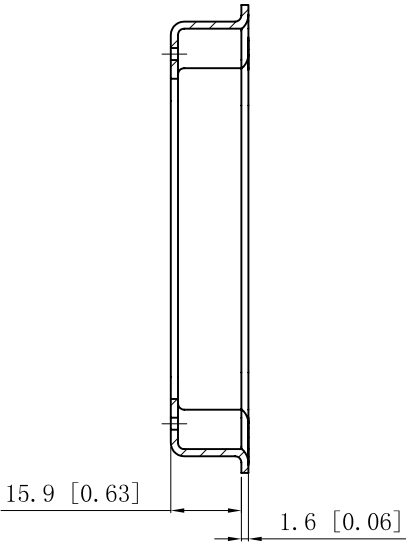
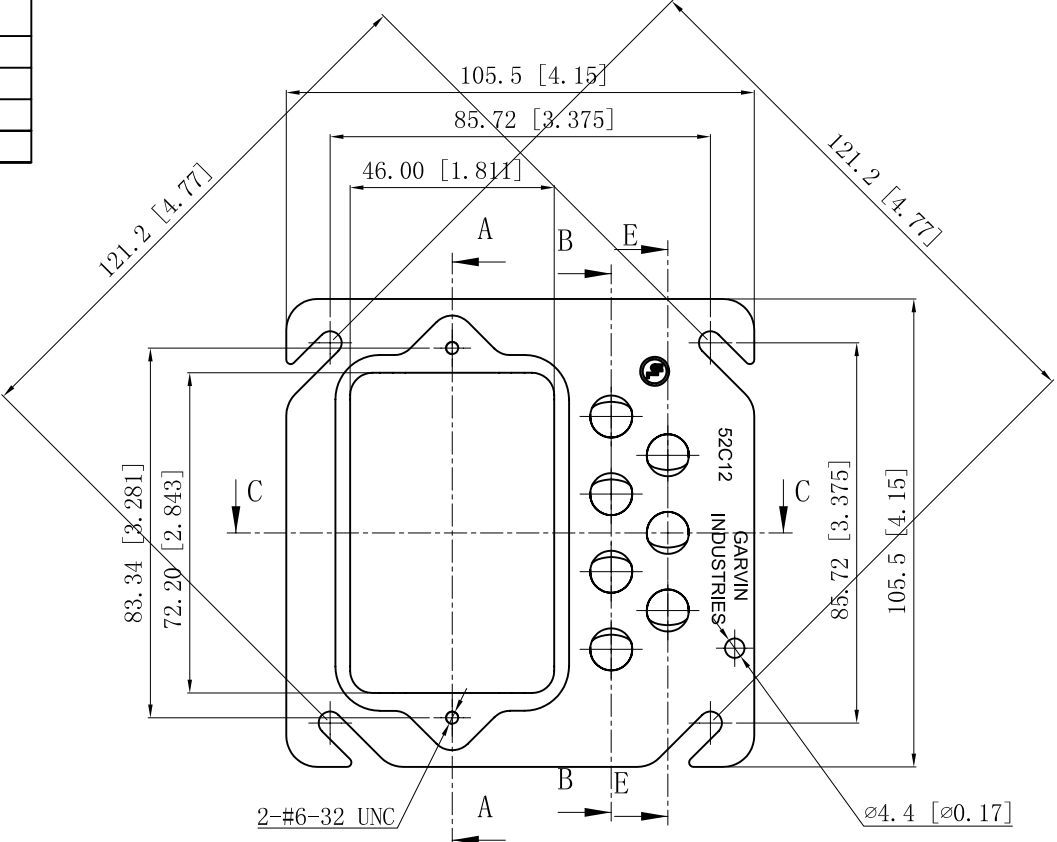
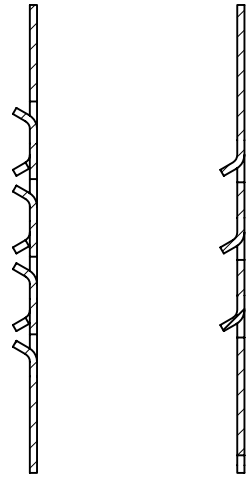


SIDES	BOTTOM
Material: Steel-0.0625MIN"-G60 Galvanized	

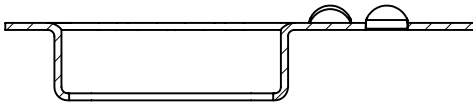


CUTAWAY VIEW A-A



CUTAWAY VIEW B-B

CUTAWAY VIEW E-E



CUTAWAY VIEW C-C

DESCRIPTION
TRADE REFERENCE TERMS

This data sheet is for reference only .GARVIN INDUSTRIES reserves the right to make changes to the design without prior notice.

STANDARD PACKING	<h1 style="text-align: center;">GARVIN INDUSTRIES</h1>		
25 PCS			
TITLE	4" SQ. "OFFSET" DEVICE RING		
SIZE	DWG NO.	REV	
A4	52C12	A	
DATA SHEET			