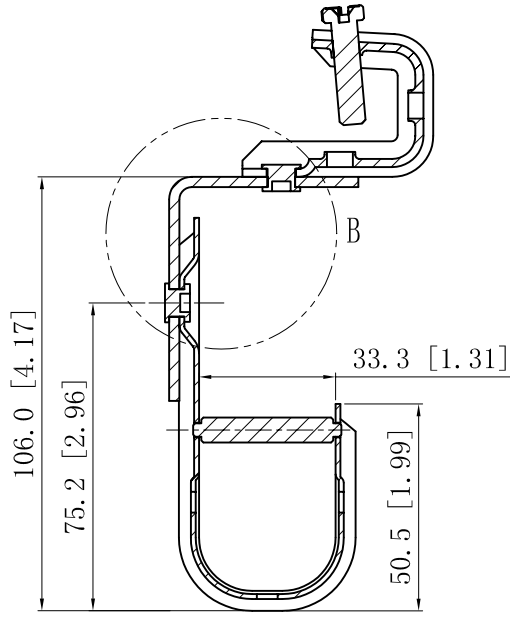
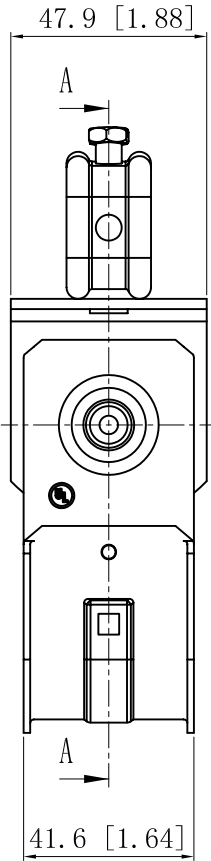
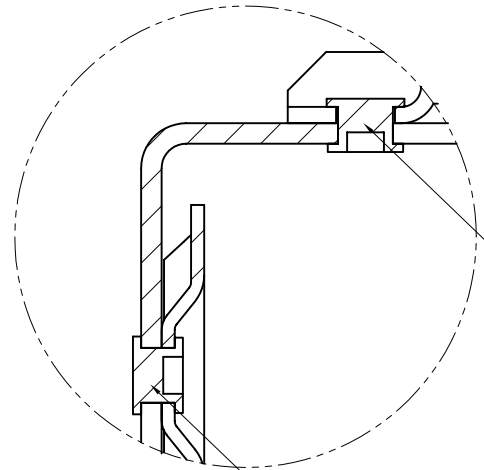


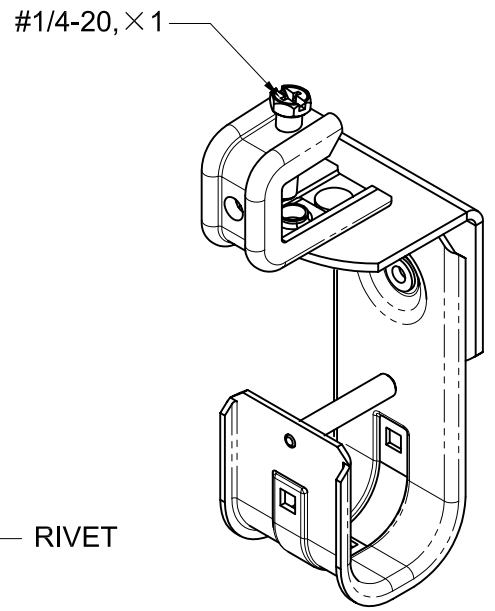
SIDES	BOTTOM
Material: Steel-0.047"-G60 Galvanized	



CUTAWAY VIEW A-A



VIEW B



RIVET

RIVET

DESCRIPTION
TRADE REFERENCE TERMS

STANDARD PACKING
50 PCS

This data sheet is for reference only .GARVIN INDUSTRIES reserves the right to make changes to the design without prior notice.

TITLE			REV
GARVIN INDUSTRIES			
J-HOOKS WITH BEAM CLAMPS			C
SIZE	DWG NO.	JHK-21-BC	
A4		DATA SHEET	