



Southwire™

REDUCERS

FEATURES

- Male and female elements of the bushing are solvent weld
- Flush style; suitable for underground use

APPLICATION

- A bushing designed to fit into a bell end or female fitting to reduce from one diameter to the next smaller conduit diameter

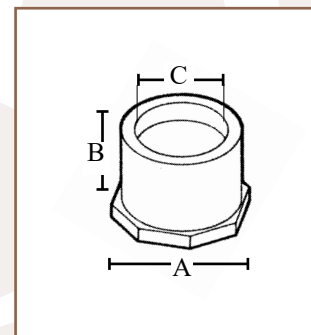
STANDARD MATERIAL

- PVC



1132

PART #	SIZE	MASTER QTY.	WEIGHT/ CASE (LBS.)	A	B	C
1132	3/4" X 1/2"	100	2	1.05"	1"	.852"
1133	1" X 3/4"	100	4	1.315"	1.18"	1.064"
1134	1-1/4" X 1"	50	4	1.66"	1.42"	1.33"
1135	1-1/2" X 1-1/4"	50	4	1.90"	1.37"	1.677"
1136	2" X 1-1/2"	25	5	2.375"	1.60"	1.918"
1137	2-1/2" X 2"	25	7	2.875"	1.90"	2.393"
1138	3" X 2-1/2"	25	10	3.50"	2.25"	2.89"
1139	4" X 3"	20	11	4.50"	2.60"	3.515"
1140	4" X 3-1/2"	20	9	4.50"	2.60"	4.015"



Rev. 0, 03/23

**BUILT FOR DURABILITY.
BUILT FOR RELIABILITY.
BUILT FOR WORK.™**

1-855-798-6657 | SOUTHWIRE.COM

©2023 Southwire Company, LLC. All rights reserved.
*Registered Trademark & ™Trademark of Southwire Company, LLC.