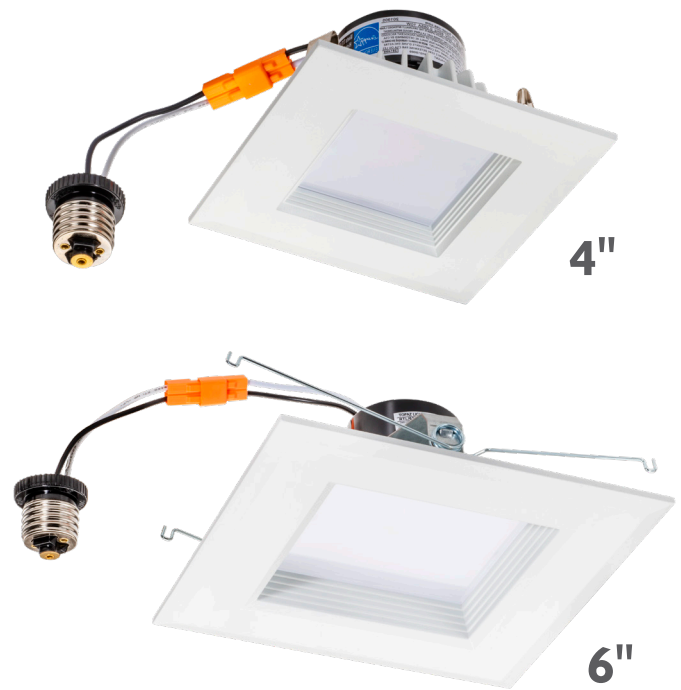




LED Recessed Downlights DESIGNER - SQUARE BAFFLE TRIM



Superior Color Rendering

Topaz delivers with our designer series, easy-to-install, 90 CRI recessed downlights. Perfect for retrofit or new construction applications, these downlights boast exceptional lumen per watt efficacy and are available in 4" and 6" options. Dimmable down to 5% of maximum lumen output, our downlights work seamlessly with most leading-edge dimmer technology.

FEATURES

- ENERGY STAR® Certified
- CRI of 90 provides exceptional color rendering
- For use in insulated or non-insulated ceilings
- Airtight certified per ASTM E283
- Quick connects for easy installation
- 50,000 hour life (L70)
- 4" replaces 50W Halogen; 6" replaces 65W Halogen
- Dimmable to 5% on most LED dimmers¹

SUGGESTED APPLICATIONS

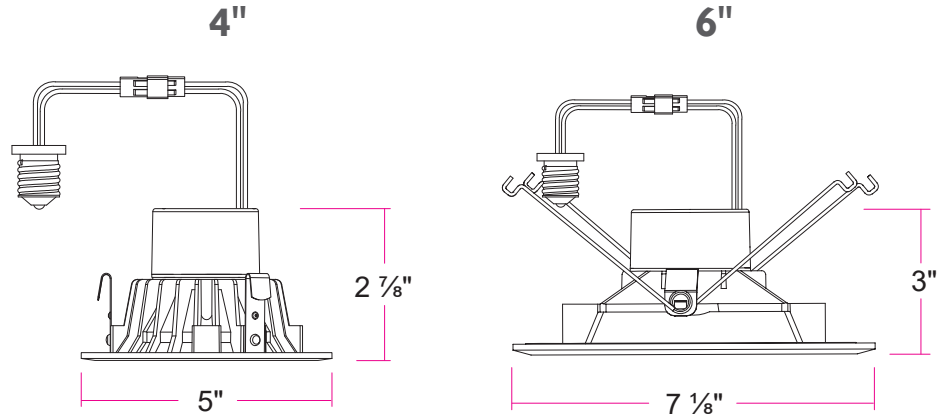
- Retrofit and new construction
- Residential and multi-family
- Hospitality
- Office lighting



LED Recessed Downlights Designer - Square Baffle Trim

GENERAL SPECIFICATIONS

- Input Voltage:** 120V, 50/60Hz
- Functional Life (L70):** 50,000 Hours
- CRI:** 90
- Base:** E26
- Ambient Operating Temp:** -4°F to 113°F
- Finish:** White
- Dimmable:** to 5%
- Location Rating:** Wet
- Power Factor:** >0.9



SPECIFICATIONS / ORDER INFO

Catalog Number	Order Code	UPC	Size	Wattage	Input Current	CCT	Lumens	LPW	Beam Angle	ENERGY STAR®	Halogen Replacement	PK QTY	Unit Weight
RTL/43SQ/WH/90/D-28	79715	751338093829	4"	10W	0.09	3000K	715	72	98°	Y	50W	1	0.7 Lbs.
RTL/44SQ/WH/90/D-28	79717	751338093836	4"	10W	0.09	4000K	760	76	98°	Y	50W	1	0.7 Lbs.
RTL/63SQ/WH/90/D-28	79263	751338000186	6"	16W	0.14	3000K	1,000	63	98°	Y	65W	1	0.9 Lbs.
RTL/64SQ/WH/90/D-28	79265	751338000193	6"	16W	0.14	4000K	1,100	69	98°	Y	65W	1	0.9 Lbs.

Not for sale in California.

NOMENCLATURE

Example: RTL/43SQ/WH/90/D-28

RTL	4 6	X	3	WH	90	D
LED Recessed Trim	Size (in)	CCT	Style	White	90 CRI	Dimmable
		↓ 2 (Soft White) 3 (Warm White) 4 (Cool White) 5 (Daylight)	↓ 0 (Smooth) 3 (Baffle) 7 (Gimbal) SQ (Square)			

NOTES:

Dimming - This unit is designed to be compatible with most leading edge dimmers. (Dimming range 100% - 5%) Fixture performance may vary depending on dimmer manufacturer and circuit loading. Avoid mixing load types on the same circuit: Do not dim LED while also dimming CFL or incandescent loads. Topaz Lighting Corp. has found the following dimmers to be compatible with this unit: Leviton: IPL06, 6674 and Lutron: CTCL-153P, DVCL-153P. Specifications subject to change without notice.

Revised July 2020

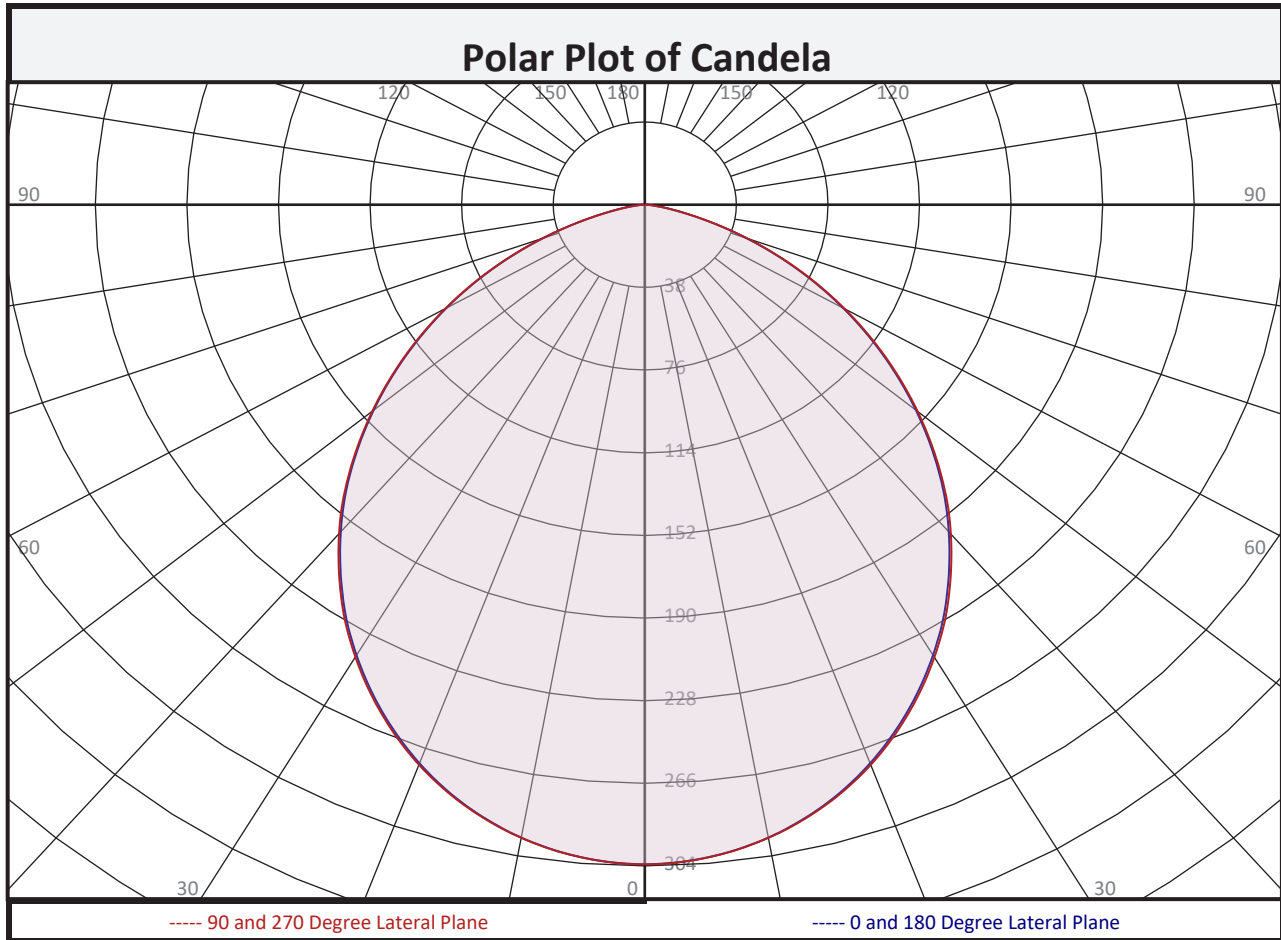


Job Name/Title: _____ Catalog Number _____

Contractor: _____ Notes: _____

**LED Recessed Downlights
Designer - Square Baffle Trim**

4"



Zonal Flux Summary										
Zone (Deg Vert)	Flux (Lumens)	Percent of Total		Zone (Deg Vert)	Flux (Lumens)	Percent of Total		Zone (Deg Vert)	Flux (Lumens)	Percent of Total
0-10	28.6	4.0%		90-100	0.0	0.0%		0-20	109.3	15.3%
10-20	80.7	11.3%		100-110	0.0	0.0%		0-30	228.1	32.0%
20-30	118.9	16.7%		110-120	0.0	0.0%		0-40	365.6	51.2%
30-40	137.5	19.3%		120-130	0.0	0.0%		0-60	610.8	85.6%
40-50	134.4	18.8%		130-140	0.0	0.0%		0-80	710.2	99.5%
50-60	110.8	15.5%		140-150	0.0	0.0%		10-90	685.3	96.0%
60-70	71.9	10.1%		150-160	0.0	0.0%		20-50	390.7	54.7%
70-80	27.6	3.9%		160-170	0.0	0.0%		40-90	348.3	48.8%
80-90	3.6	0.5%		170-180	0.0	0.0%		60-90	103.1	14.4%
0-90	713.9	100.0%		90-180	0.0	0.0%		0-180	713.9	100.0%

Revised July 2020



Job Name/Title: _____ Catalog Number _____

Contractor: _____ Notes: _____

LED Recessed Downlights Designer - Square Baffle Trim

4"

Circle of Light Plot				
Height(ft)	Illuminance at Nadir (fc)	Ground-level distance to half-of-nadir illuminance (ft)		
		0-180 deg	90-270 deg	
6.0	8.4	7.07	7.10	
8.0	4.7	9.43	9.47	
10.0	3.0	11.79	11.83	
12.0	2.1	14.14	14.20	
14.0	1.5	16.50	16.57	
16.0	1.2	18.86	18.93	

Average Luminance (cd/m ²)			
	0 deg Plane	45 deg Plane	90 deg Plane
0	56876	56876	56876
45	45661	46706	45928
55	39518	41468	39795
65	30774	33358	31058
75	16750	19487	16947
85	5787	5840	5873

Spacing Criterion	
0 degree plane:	1.2
90 degree plane:	1.2
180 degree plane:	1.2
270 degree plane:	1.2

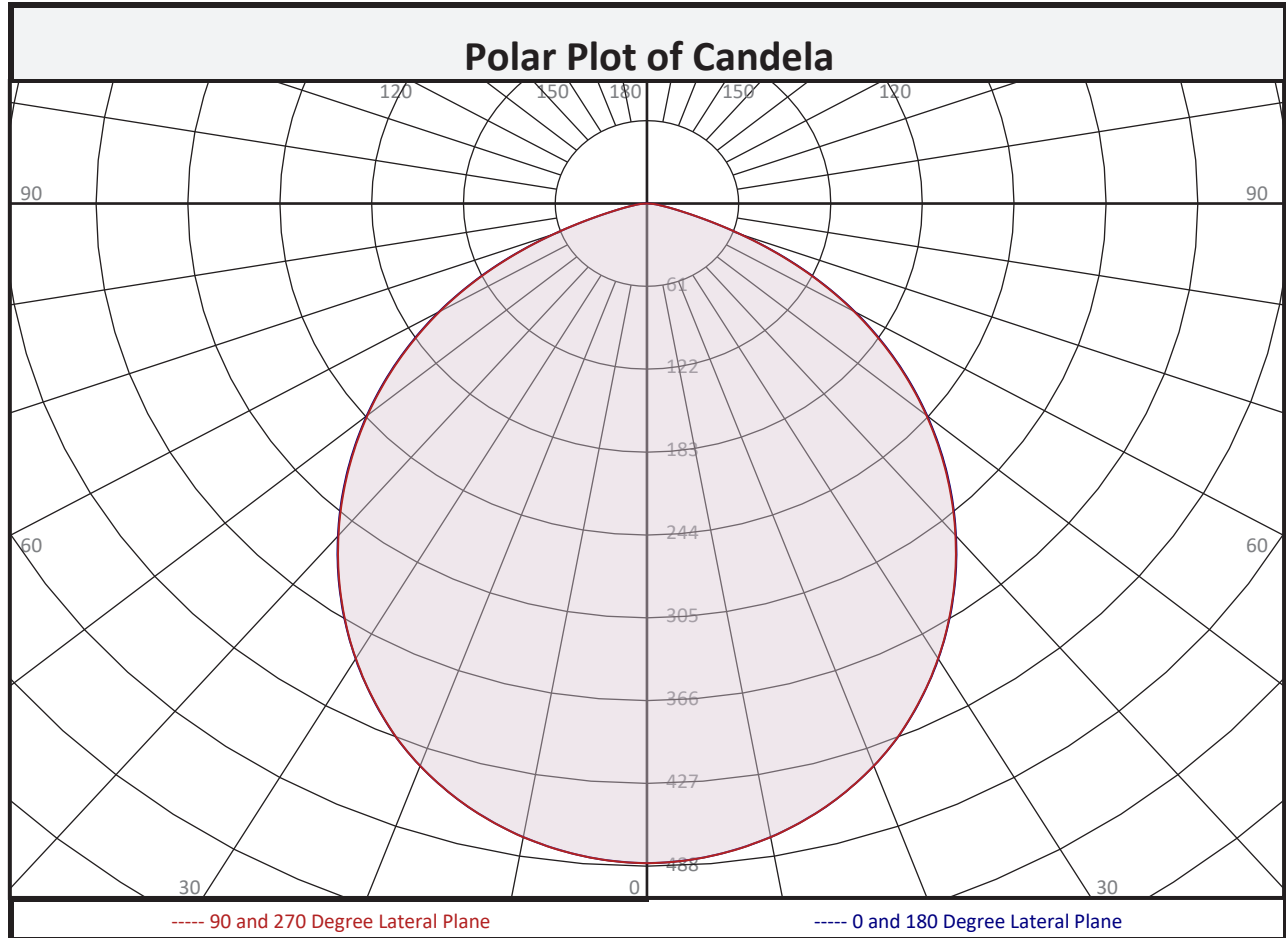


Job Name/Title: _____ Catalog Number _____

Contractor: _____ Notes: _____

LED Recessed Downlights Designer - Square Baffle Trim

6"



Zonal Flux Summary										
Zone (Deg Vert)	Flux (Lumens)	Percent of Total		Zone (Deg Vert)	Flux (Lumens)	Percent of Total		Zone (Deg Vert)	Flux (Lumens)	Percent of Total
0-10	45.8	4.0%		90-100	0.0	0.0%		0-20	175.4	15.2%
10-20	129.6	11.2%		100-110	0.0	0.0%		0-30	367.3	31.8%
20-30	191.9	16.6%		110-120	0.0	0.0%		0-40	590.0	51.1%
30-40	222.7	19.3%		120-130	0.0	0.0%		0-60	992.5	86.0%
40-50	219.1	19.0%		130-140	0.0	0.0%		0-80	1149	99.5%
50-60	183.4	15.9%		140-150	0.0	0.0%		10-90	1109	96.0%
60-70	118.5	10.3%		150-160	0.0	0.0%		20-50	633.7	54.9%
70-80	38.4	3.3%		160-170	0.0	0.0%		40-90	564.7	48.9%
80-90	5.2	0.5%		170-180	0.0	0.0%		60-90	162.2	14.0%
0-90	1155	100.0%		90-180	0.0	0.0%		0-180	1155	100.0%

Revised July 2020



Job Name/Title: _____ Catalog Number _____

Contractor: _____ Notes: _____

LED Recessed Downlights Designer - Square Baffle Trim

6"

Circle of Light Plot				
Height(ft)	Illuminance at Nadir (fc)	Ground-level distance to half-of-nadir illuminance (ft)		
		0-180 deg	90-270 deg	
6.0	13.5	7.14	7.13	
8.0	7.6	9.52	9.51	
10.0	4.9	11.90	11.89	
12.0	3.4	14.28	14.27	
14.0	2.5	16.66	16.65	
16.0	1.9	19.04	19.03	

Average Luminance (cd/m ²)			
	0 deg Plane	45 deg Plane	90 deg Plane
0	37183	37183	37183
45	30574	30945	30481
55	27019	27789	26902
65	20658	23053	20502
75	8197	11711	8358
85	4025	3862	4076

Spacing Criterion	
0 degree plane:	1.2
90 degree plane:	1.2
180 degree plane:	1.2
270 degree plane:	1.2