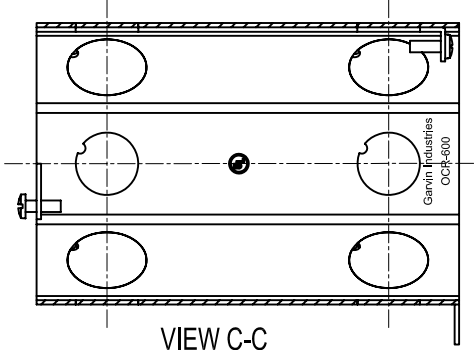
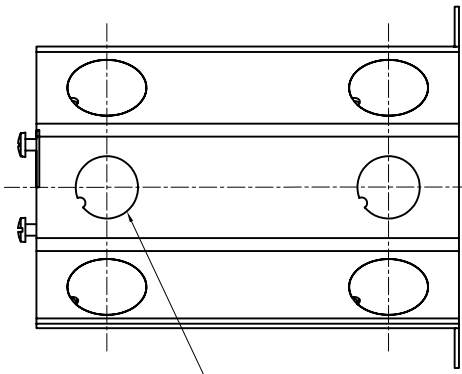
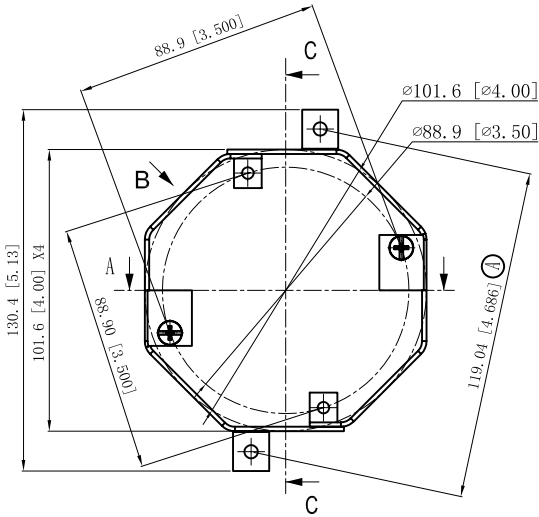


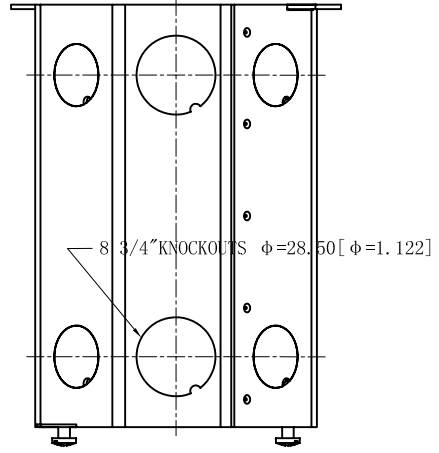
SIDES	BOTTOM
8 1/2" KNOCKOUTS	
8 3/4" KNOCKOUTS	
4 PCS 8-32x1/2 Screws Installed	
Material: Steel-0.0625"-G60 Galvanized	



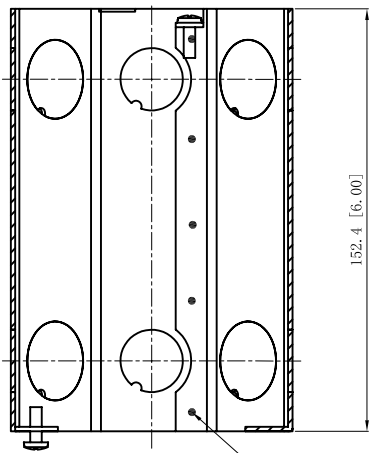
VIEW C-C



8 1/2" KNOCKOUTS $\phi = 22.50 [\phi = 0.886]$

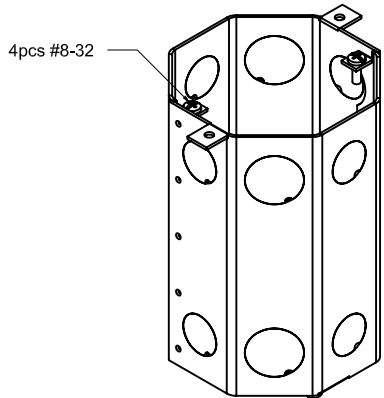


VIEW B



VIEW A-A

10 PLACES SPOT WELDING



This data sheet is for reference only .GARVIN INDUSTRIES reserves the right to make changes to the design without prior notice.

DESCRIPTION
TRADE REFERENCE TERMS

STANDARD PACKING
20 PCS

GARVIN INDUSTRIES		
TITLE OCTAGON CONCRETE RINGS		
SIZE A4	DWG NO. OCR-600	REV C
DATA SHEET		