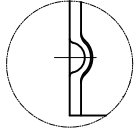
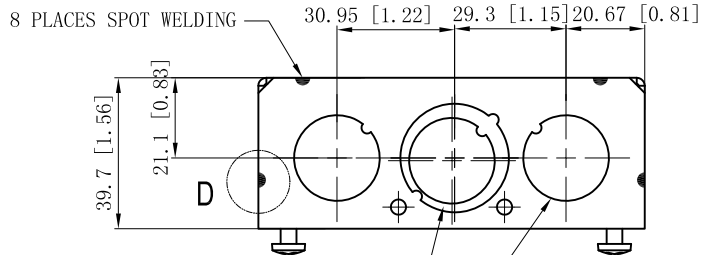


SIDES	BOTTOM
8 1/2" KNOCKOUTS	2 1/2" KNOCKOUTS
4 1/2"-3/4" MOON KNOCKOUTS	2 3/4" KNOCKOUTS
	1 Ground Hump
2 PCS 8-32x1/2 Screws Installed	
Material: Steel-0.0625"-G60 Galvanized	

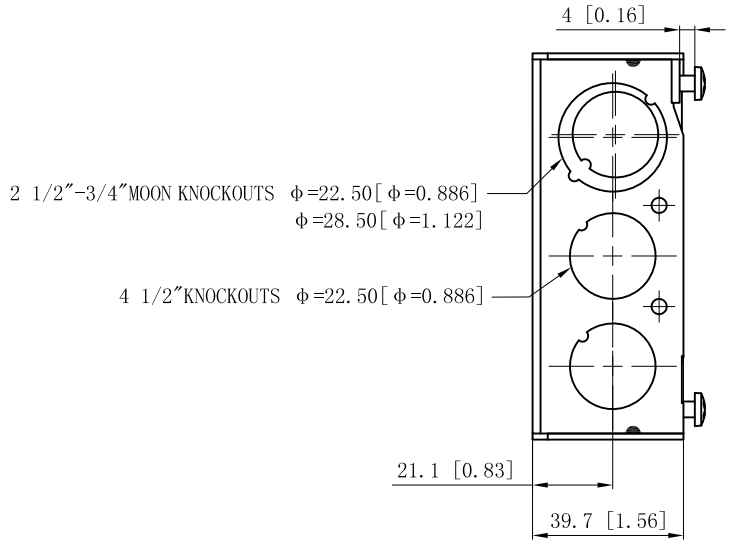


WELDING STYLE DETAIL VIEW D



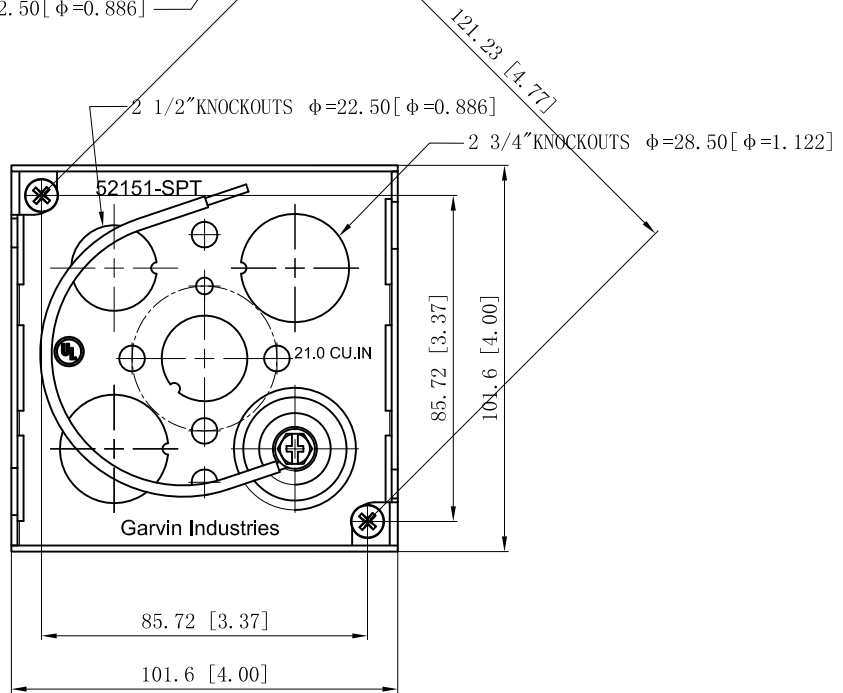
2 1/2"-3/4" MOON KNOCKOUTS $\phi=22.50$ [$\phi=0.886$]
 $\phi=28.50$ [$\phi=1.122$]

4 1/2" KNOCKOUTS $\phi=22.50$ [$\phi=0.886$]



2 1/2"-3/4" MOON KNOCKOUTS $\phi=22.50$ [$\phi=0.886$]
 $\phi=28.50$ [$\phi=1.122$]

4 1/2" KNOCKOUTS $\phi=22.50$ [$\phi=0.886$]



2 1/2" KNOCKOUTS $\phi=22.50$ [$\phi=0.886$]

2 3/4" KNOCKOUTS $\phi=28.50$ [$\phi=1.122$]

This data sheet is for reference only. GARVIN INDUSTRIES reserves the right to make changes to the design without prior notice.

DESCRIPTION
TRADE REFERENCE TERMS

STANDARD PACKING
50 PCS

GARVIN INDUSTRIES		
TITLE 4" SQUARE BOXES (1-1/2" DEEP)		
SIZE A4	DWG NO. 52151-SPT	REV A
DATA SHEET		