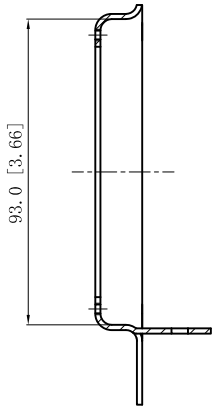
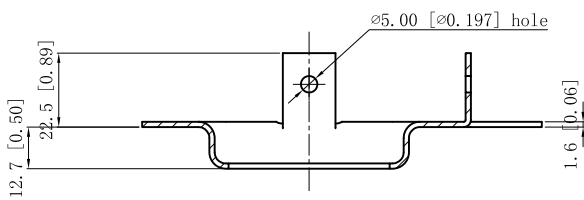
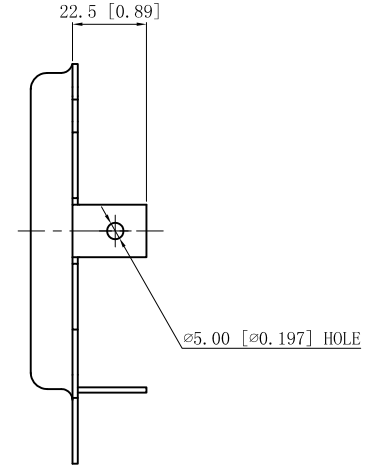
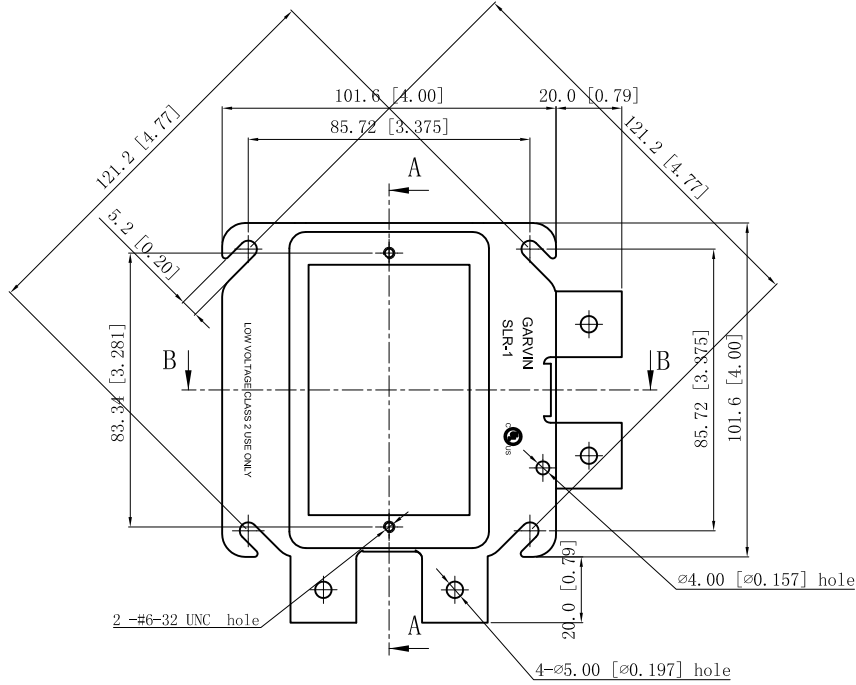


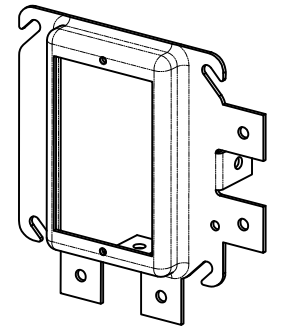
SIDES	BOTTOM
Material: Steel-0.0625"-(G60 or C.R.S) Galvanized	



CUTAWAY VIEW A-A



CUTAWAY VIEW B-B



This data sheet is for reference only .GARVIN INDUSTRIES reserves the right to make changes to the design without prior notice.

DESCRIPTION
TRADE REFERENCE TERMS

STANDARD PACKING
50 PCS

TITLE			GARVIN INDUSTRIES	
TITLE			4" SQUARE" SELF-LEVELING" DEVICE RINGS	
SIZE	DWG NO.	SLR-150		REV
A4		DATA SHEET		D