



Southwire™

CONDUIT BODIES

LB TYPE

FEATURES

- Lightweight; enables easy installation in small areas
- Rectangular shaped conduit body with a removable cover
- One entrance hub at the opposite end in the back (floor)

APPLICATION

- Use for a change of direction of the conduit run with the back hub usually exiting through a wall

STANDARD MATERIAL

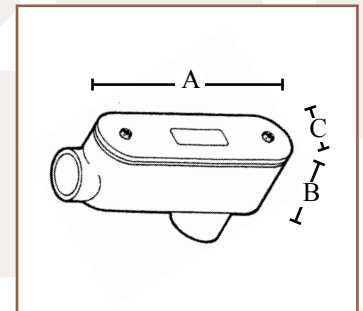
- PVC
- Screws - Zinc plated steel



1141

1147

PART #	SIZE	MASTER QTY.	WEIGHT/CASE (LBS.)	A	B	C
1141	1/2"	25	5	4.1875"	1.4375"	1.3125"
1142	3/4"	15	4	4.9375"	1.625"	1.50"
1143	1"	10	4	5.875"	2"	1.75"
1144	1-1/4"	10	8	7.5625"	2.375"	2.50"
1145	1-1/2"	10	9	8.5625"	2.75"	2.625"
1146	2"	5	8	9.8125"	3.375"	3.125"
1147	2-1/2"	5	24	1' 3"	4.5625"	4.625"
1148	3"	5	25	1' 3.0625"	4.5625"	4.625"
1149	3-1/2"	4	26	1' 4.1875"	5.50"	5.625"
1150	4"	4	26	1' 4.1875"	5.50"	5.625"



Rev. 0, 05/23

**BUILT FOR DURABILITY.
BUILT FOR RELIABILITY.
BUILT FOR WORK.™**

1-855-798-6657 | SOUTHWIRE.COM

©2023 Southwire Company, LLC. All rights reserved.
*Registered Trademark & ™Trademark of Southwire Company, LLC.