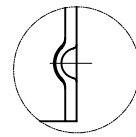
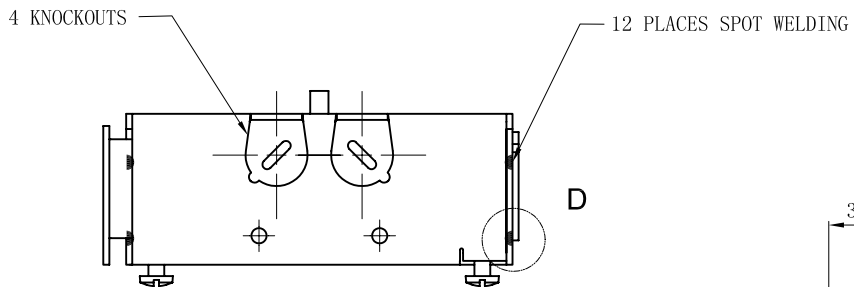
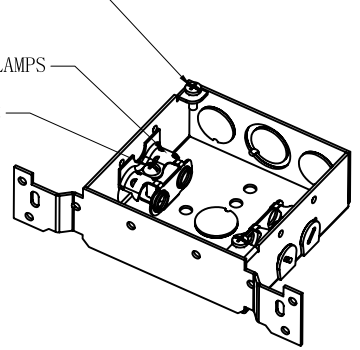
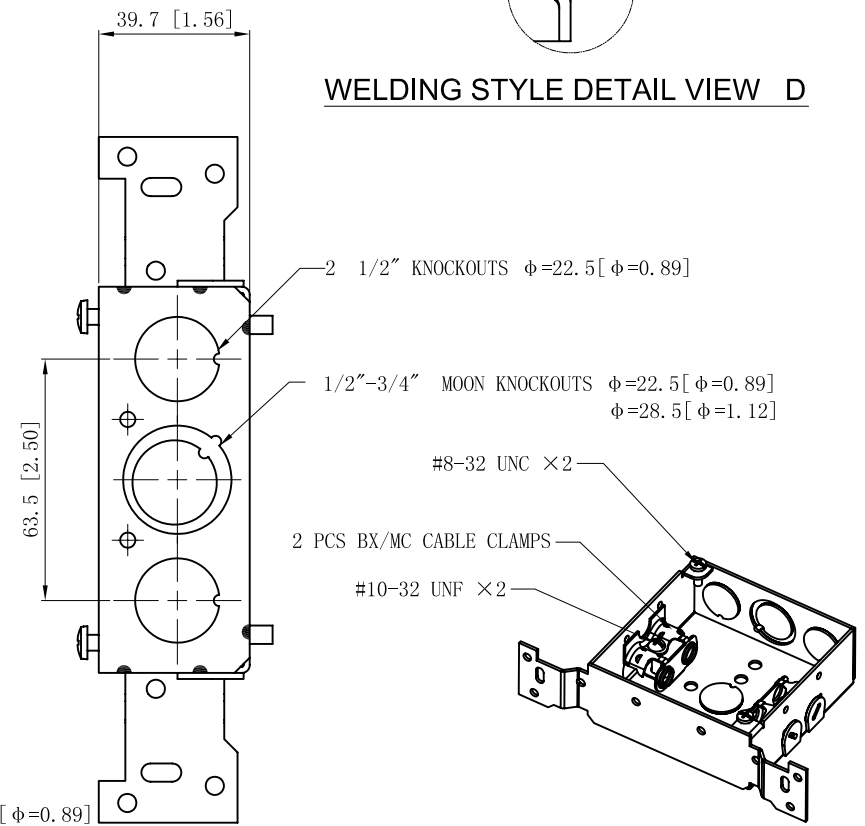
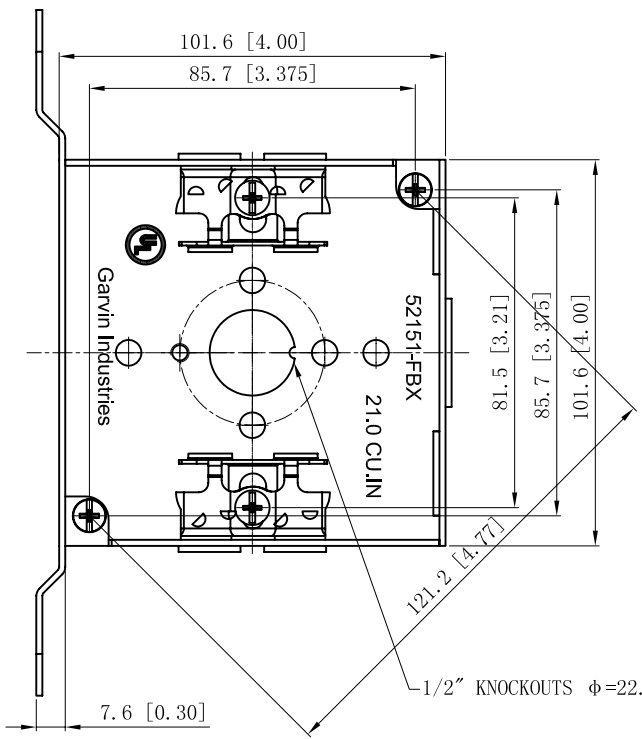
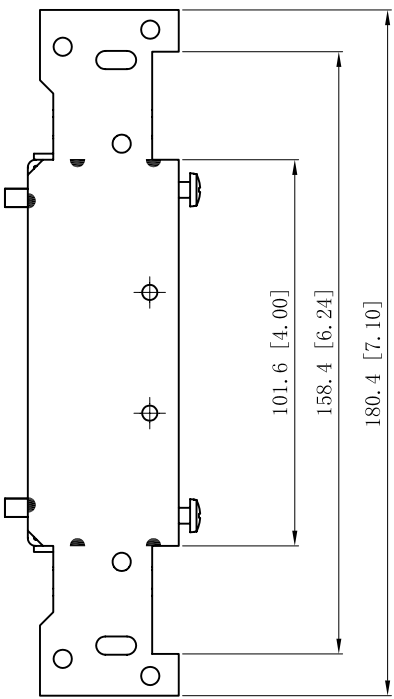


SIDES	BOTTOM
4 KNOCKOUTS	1/2" KNOCKOUTS
2 1/2" KNOCKOUTS	
1/2"-3/4" MOON KNOCKOUTS	
2 PCS 8-32×1/2 Screws Installed	
2 PCS 10-32×1 Screws Installed	
Material:Steel-0.0625"-G60 Galvanized	



WELDING STYLE DETAIL VIEW D



DESCRIPTION
TRADE REFERENCE TERMS

STANDARD PACKING
25 PCS

This data sheet is for reference only.GARVIN INDUSTRIES reserves the right to make changes to the design without prior notice.

<b>GARVIN INDUSTRIES</b>			
4"SQ. BRACKET BOXES (1-1/2"DEEP)			
SIZE	DWG NO.	TITLE	REV
A4	52151-FBX	DATA SHEET	B