

Surface Mount Brackets FOR AREA & FLOOD LIGHTS



Secure Surface Mounting Made Easy

Topaz's Surface Mount Brackets are designed to easily install slipfitter mount area or flood lights to a solid surface or wall. These wall mounts are constructed of A500 grade B steel with a bronze finish. Brackets are wet location rated and can securely hold fixtures up to 110 Lbs.

FEATURES

- Steel construction
- Bronze finish
- Max. arm weight: 110 Lbs.

APPLICATIONS

- For use with area and flood lights
- Steel and concrete poles

Surface Mount Brackets FOR AREA & FLOOD LIGHTS

GENERAL SPECIFICATIONS

Construction: A500 grade B steel

Location Rating: Wet

ITEM SPECIFICATIONS / ORDER INFO

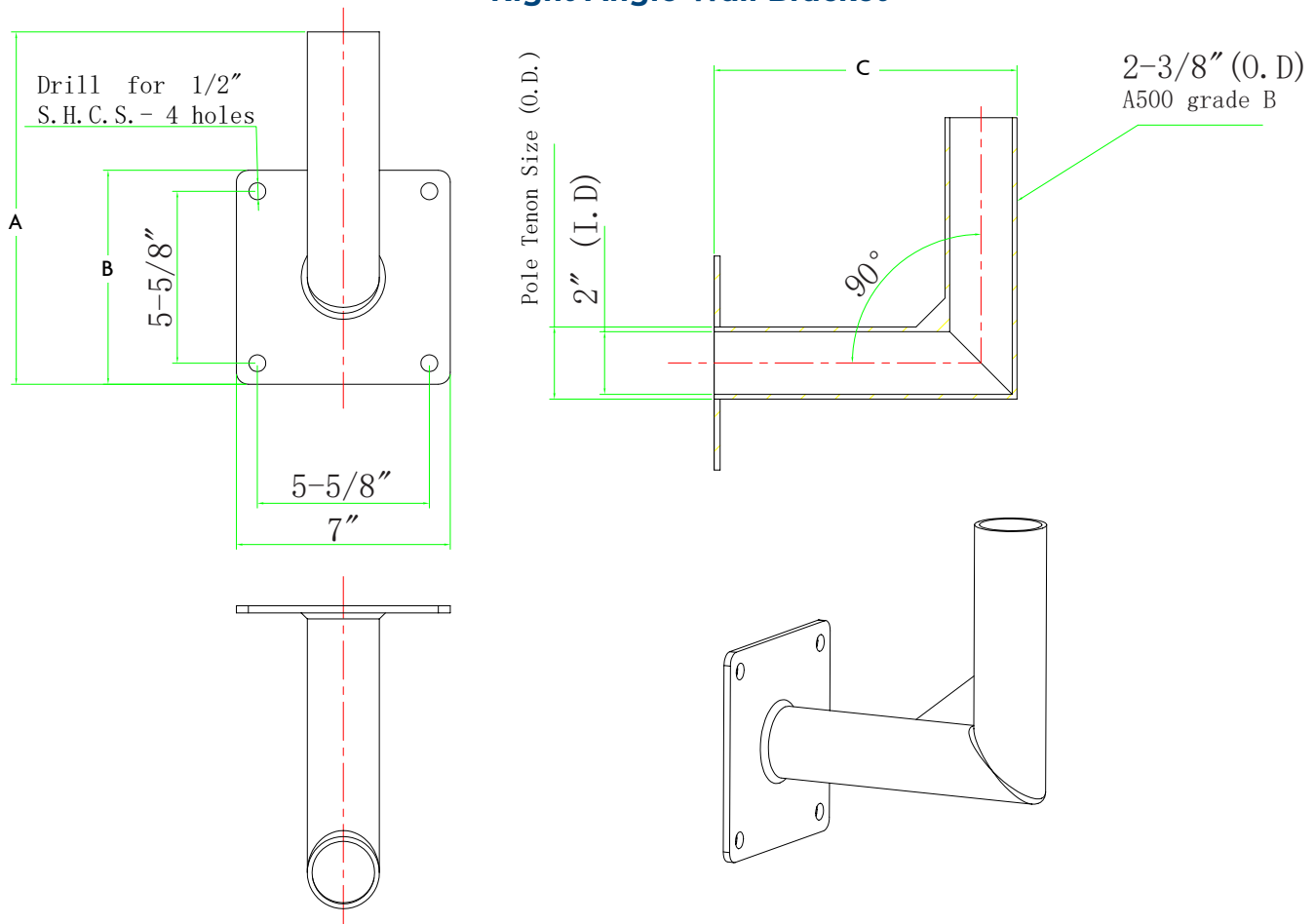
Catalog Number	Order Code	UPC	DIM A	DIM B	DIM C	Pole Tenon Size (O.D.)	Unit Weight	Maximum Load Weight (Per Fixture)
RAWB/BZ-96	70742	751338038806	11 1/2"	7"	9 7/8"	2 3/8"	6.61 Lbs.	110 Lbs.
SMTA/BZ-96	70958	751338038905	6 1/8"	7"	5 5/8"	2"	3.52 Lbs.	110 Lbs.

NOMENCLATURE

RA = 90° Right Angle **WB** = WB = Wall Bracket / **BZ** = Bronze Finish

SM = Surface Mount **TA** = Tenon Adapter / **BZ** = Bronze Finish

Right Angle Wall Bracket



NOTES:

The mounting arms and tenon adapters are designed for applications in areas of normal winds. Consult a qualified engineer prior to the design of systems on structures or areas known to have abnormal winds such as airports, bridges, or coastal areas. Failure to consider these factor in the system design could result in the failure of the pole or mast arm, and consequently personal injury or property damage.

Specifications subject to change without prior notice.

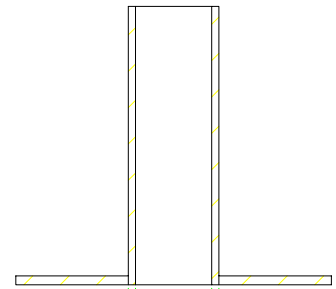
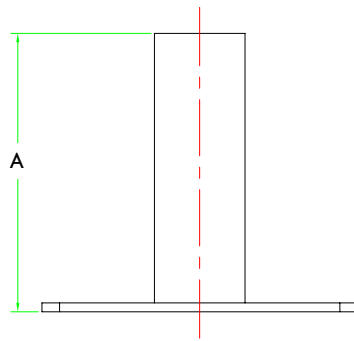
WARNING: Some products included in this specification sheet may be subject to the warning requirements of California's Proposition 65. Please refer to your product packaging for more information.



March 2021

Surface Mount Brackets FOR AREA & FLOOD LIGHTS

Straight Surface Mount Bracket



1-3/4" id

Pole Tenon Size (O.D.)

Drill for 1/2"
S. H. C. S. - 4 holes

