

## LED T8U REPLACEMENT LAMP

INSTALLATION GUIDE

### Items:

**L4T8B/U6/835/15F-70**

**L4T8B/U6/840/15F-70**

**L4T8B/U6/850/15F-70**

## Installation Instructions

**WARNING:** THIS PRODUCT MUST BE INSTALLED IN ACCORDANCE WITH THE APPLICABLE INSTALLATION CODE BY A PERSON FAMILIAR WITH THE CONSTRUCTION AND OPERATION OF THE PRODUCT AND THE HAZARDS INVOLVED

**RISK OF SHOCK:** DISCONNECT POWER BEFORE INSTALLATION

Risk of fire/electric shock - the electrical rating of this product is 120-277V. Installer must determine whether they have 120-277V at the fixture before installation.

Risk of fire/electric shock – T8U LED tube installation requires knowledge of fluorescent lighting luminaires and electrical systems. If not qualified, DO NOT attempt installation. Contact a qualified electrician.

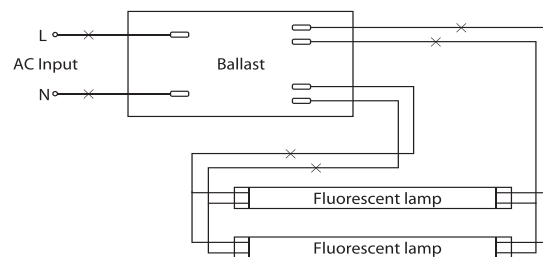
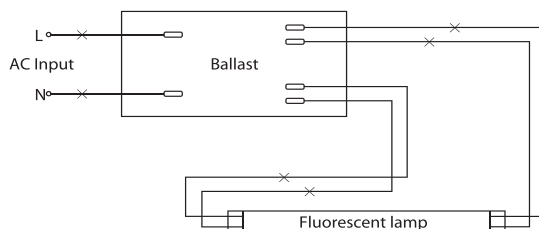
Risk of fire/electric shock – Install this kit only in the luminaires that have the construction features and dimensions shown in the drawings and/or photographs.

Risk of fire/electric shock – Do not use this kit in luminaires that employ shunted bi-pin lamp holders (found in fixtures that use instant start ballasts).

Do not make or alter any open holes in an enclosure of wiring or electrical components during installation.

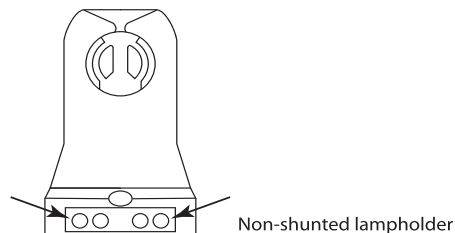
### Removing fluorescent lamp system

1. Disconnect power from fixture
2. Remove fluorescent bulb
3. Remove wiring compartment cover
4. Cut all wires which are connected to ballast and remove it



### STOP!

**DO NOT** install this product in a fixture that uses shunted lamp holders (found in all fixtures with instant start ballasts). Installing this product with shunted lamp holders will cause a short circuit condition in the lamp holder and create a fire or shock hazard. Before continuing, determine if the lamp holders currently installed in the fixture are shunted or non-shunted. If the current lamp holders are shunted, cut the wires away from the lamp holders and install non-shunted lamp holders, making new connections with the lead wires at terminals indicated here:

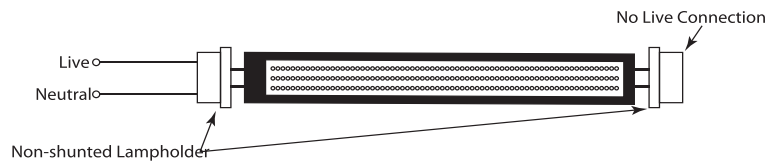


## Installation Instructions Continued

### Retrofitting fixtures with ONE LAMP

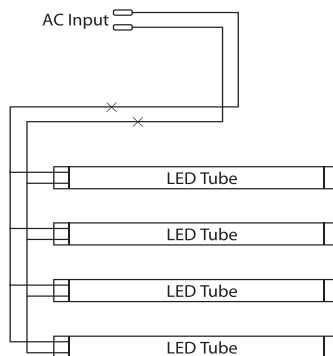
**NOTE:** Only one end of this LED tube receives power. The “powered” end is indicated with a sticker on the tube itself. Before beginning installation, determine which end of the fixture will be the “powered” end and which end will be the “dead” end.

1. Make sure AC power to fixture is OFF
2. Make sure ground wire from AC supply is securely connected to ground screw inside fixture.
3. Connect black (live) and white (neutral) lead wires from lamp holders on “powered” end to incoming AC supply black (LIVE) and white (NEUTRAL) wires with approved wire connectors. If only one lamp is being installed, proceed to step 4 below.



### Retrofitting fixtures with MULTIPLE LAMPS

After completing steps 1 - 3 above, connect terminals on the “powered” lamp holder for first lamp to matching terminals on “powered” lamp holder for second lamp with black (live) and white (neutral) wires, being sure to maintain polarity. Repeat this “daisy chain” connection for each additional lamp.



4. When all connections are complete, place appropriate connectors/wire nuts on the end of any unused wires.
5. Replace wiring compartment cover
6. Place sticker that is included with this product on wiring compartment cover or other conspicuous place on or inside of fixture. Sticker reads: “This fixture has been modified. The ballast has been removed. DO NOT install fluorescent lamps in this fixture”
7. Place sticker that is included with this product somewhere near the “powered end” socket(s). Sticker reads: “The socket(s) on this end of the luminaire are supplying line voltage. Be sure to install the powered end of the LED tube(s) into the sockets on this end of the luminaire.”
8. Install LED tube(s), matching the end of the lamp that has the “L/N” sticker to the lamp holder that is connected to the Live and Neutral wires.
9. Re-connect power to fixture

**The luminaire wiring has now been modified and will no longer operate fluorescent lamps.**

**Do not use with dimmers.**

**Suitable for dry and damp locations .**

**This device is not intended for use with emergency exits.**

