

LED Emergency Light

REMOTE CAPABLE



Maximize Safety with Customizable Configurations

Topaz places a high priority on the safety of the offices, warehouses, retail, and public spaces that you build. Our Remote Capable Emergency Lights are designed to allow easy ceiling or wall mount installations, providing safe and reliable illumination in the event of an emergency. Featuring a high impact, flame retardant housing and adjustable lamp heads. The built-in battery backup will immediately switch on upon power failure. This fixture also has the option to add up to two single or one double remote head lamp to expand egress illumination options. This luminaire meets required NFPA, UL, NEC and OSHA standards.

FEATURES

- Powers single or double remote heads for customizable configurations
- Meets NFPA 70, NFPA 101, UL924, NEC/OSHA Standards
- 90-minute battery backup with accessible push to test button
- Dual lamp heads track and swivel for full range of adjustability
- High impact, UL 94-5VA flame retardant housing
- Ceiling or wall mount capable with included hardware

SUGGESTED APPLICATIONS

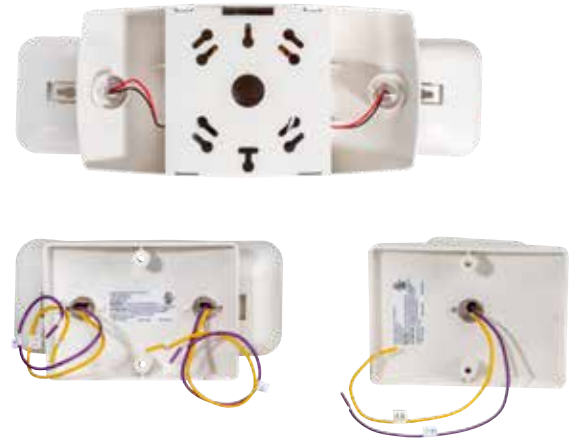
- Emergency lighting for commercial, industrial, retail and other public spaces
- Stairways, hallways



LED Emergency Light REMOTE CAPABLE

GENERAL SPECIFICATIONS

- Frequency:** 50/60Hz
- Recharge Time:** 24 hours
- Emergency Duration/Run Time:** 90 minutes
- Efficacy:** Up to 110 LPW
- CRI:** 80
- Mounting Options:** Ceiling or wall mounting capable
- Emergency Light Housing:** White, high impact, UL 94-5VA flame retardant injection mold thermoplastic with polycarbonate lens
- Remote Head Housing:** White, high impact, UL 94-5VA flame retardant ABS
- AC Supply Test Button:** Yes
- Location Rating:** Damp
- Ambient Operating Temperature:** 50°F to 104°F
- Battery Type:** 3.6V, 1000mAh Ni-Cad
- EL2/LED/WH/RC:** Maximum remote head load 1.5 W



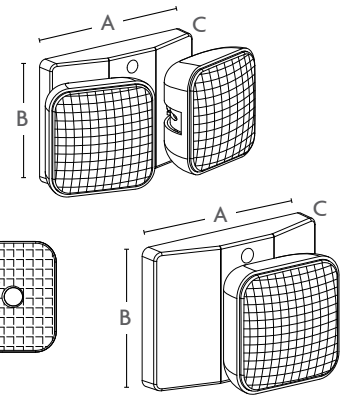
ITEM SPECIFICATIONS / ORDER INFO

Catalog Number	Order Code	UPC	Lumens	Input Wattage	Output Wattage	Input Voltage	Input Current	Number of Lamp Heads
EL2/LED/WH/RC	70916	751338037892	220	1W	2W	120/277V	0.1/0.05A	2
EL1/LED/WH/RH	70917	751338037908	75	0.75W	0.75W	3.6VDC	n/a	1
EL2/LED/WH/RH	70918	751338037922	150	1.5W	1.5W	3.6VDC	n/a	2

Not for sale in California.

NOMENCLATURE

- Example: **EL2/LED/WH/RC**
EL2 = Emergency Light 2 Head / **LED** = LED / **WH** = White / **RC** = Remote Capable
EL1 = Emergency Light 1 Head / **RH** = Remote Head

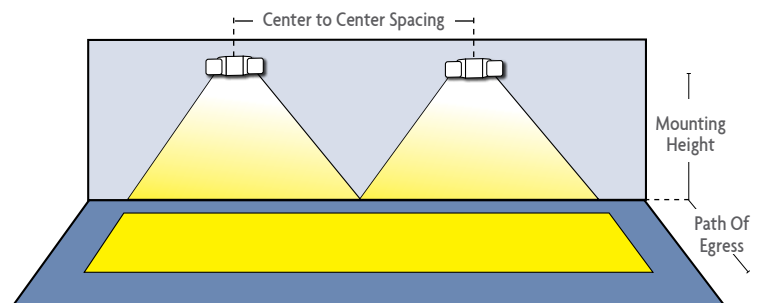


PRODUCT DIMENSIONS / LINE DRAWING

Catalog Number	(A)	(B)	(C)	Weight
EL2/LED/WH/RC	12.5"	4.5"	2.88"	1 Lb.
EL1/LED/WH/RH	6.0"	4.25"	3.5"	0.44 Lbs.
EL2/LED/WH/RH	6.0"	4.25"	3.38"	0.66 Lbs.

SPACING GUIDELINES

Catalog Number	Mounting Height	Center To Center Spacing	Path of Egress
EL2/LED/WH/RC	7.5'	25'	6'
	10'	24'	6'
EL1/LED/WH/RH	7.5'	11'	6'
	10'	9'	6'
EL2/LED/WH/RH	7.5'	20'	6'
	10'	18'	6'



Compliant NFPA 101 requires 1.0 foot-candle average and 0.1 footcandle minimum with a 40:1 maximum/minimum ratio.

NOTES:

All exit and emergency fixture batteries will be prorated for 5 years.
 Specifications subject to change without prior notice.

This device complies with Part 15 of the FCC Rules. Operation is subject to the following two conditions: (1) this device may not cause harmful interference, and (2) this device must accept any interference received, including interference that may cause undesired operation.

WARNING: Some products included in this specification sheet may be subject to the warning requirements of California's Proposition 65. Please refer to your product packaging for more information.

November 2020