

LED Traditional Wall Pack

ECONOMY



An Economic Wall Pack for Cost-Effective HID Replacement

Topaz's Economy Traditional Wall Pack is the ideal solution for commercial and residential applications. This classic fixture is a great option to uniformly illuminate walkways, loading docks and common areas. Constructed with aluminum housing and UV resistant polycarbonate lens, it is made to withstand tough environments. It also features an integrated dusk-to-dawn photocell and 0-10V driver for dimming and building controls. This wall pack is a cost-effective way to easily transition from HID to LED outdoor lighting.

FEATURES

- Aluminum housing and UV resistant polycarbonate lens
- Four NPT 1/2" threaded hubs
- Intergrated dusk-to-dawn photocell
- 0-10V driver for dimming and building controls
- Economical choice for HID replacement

SUGGESTED APPLICATIONS

- Commercial and residential
- Warehouses
- Loading areas
- Walkways
- Parking areas





Job Name/Title: _____ Catalog Number _____

Contractor: _____ Notes: _____

LED Traditional Wall Pack ECONOMY

GENERAL SPECIFICATIONS

Input Voltage, Frequency: 120-277V, 50/60Hz
Power Factor, THD %: >0.9, <20%
Dimmable: 0-10V
Photocell Included
Efficacy: Up to 125 LPW
Minimum CRI: 80
IES Distribution: Type IV

Functional Life (L70): 50,000 Hours
Location Rating: Wet
IP Rating: IP65
Ambient Operating Temperature: -40°F to 122°F
Mounting: Wall mount
 60W typical for mounting heights up to 20'
 120W typical for mounting heights up to 30'

ITEM SPECIFICATIONS / ORDER INFO

Catalog Number	Order Code	UPC	Lumens	Wattage	Input Current 120V/277V	CCT	Beam Angle	DLC ID*
F-WPE/60W/50K/BZ/PC	70480	751338038936	7,500	60W	0.6/0.22A	5000K	97°	PLMRWA9STNZ4
F-WPE/120W/50K/BZ/PC	70550	751338038943	15,000	120W	1.2/0.48A	5000K	97°	PLR5R5QM3B7J

NOMENCLATURE

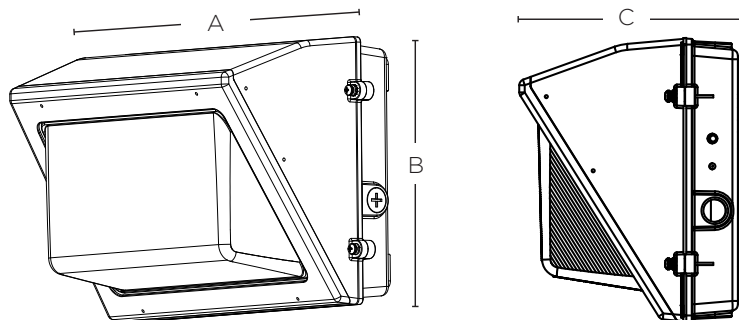
F-WPE = Fixture Wall Pack Economy / **60W** = 60 Watt / **50K** = 5000K CCT / **BZ** = Bronze / **PC** = Photocell included
 / **120W** = 120 Watt

ENERGY SAVINGS

Catalog Number	LED Wattage	HID Replacement Wattage	Watts Saved	Yearly Savings	5 Year Savings
Based on 12 hours/day and \$0.11/kWh					
F-WPE/60W/50K/BZ/PC	60W	160W-200W	140W	\$67	\$337
F-WPE/120W/50K/BZ/PC	120W	320W-400W	280W	\$135	\$675

DIMENSIONS / WEIGHTS

Catalog Number	(A)	(B)	(C)	Weight
F-WPE/60W/50K/BZ/PC	14.36"	9.30"	7.39"	7.1 Lbs.
F-WPE/120W/50K/BZ/PC	14.36"	9.30"	7.39"	7.1 Lbs.



NOTES:

*DLC Primary Use Designation: Outdoor Non-Cutoff and Semi-Cutoff Wall-Mounted Area Luminaires

Dimming with standard 0-10V control system or wall dimmers such as Leviton IP710, DS710 or Lutron DVSTV. Dimming complies with IEC60929 Annex E. Fixture may not be compatible with all dimmers. Visit www.topaz-usa.com/led-dimmer-compatibility for up-to-date dimmer compatibility information.

Specifications subject to change without prior notice. Replacement wattage shown depends on application and fixture.

This device complies with Part 15 of the FCC Rules. Operation is subject to the following two conditions: (1) this device may not cause harmful interference, and (2) this device must accept any interference received, including interference that may cause undesired operation.

WARNING: Some products included in this specification sheet may be subject to the warning requirements of California's Proposition 65. Please refer to product packaging for more information.

Revised July 2021