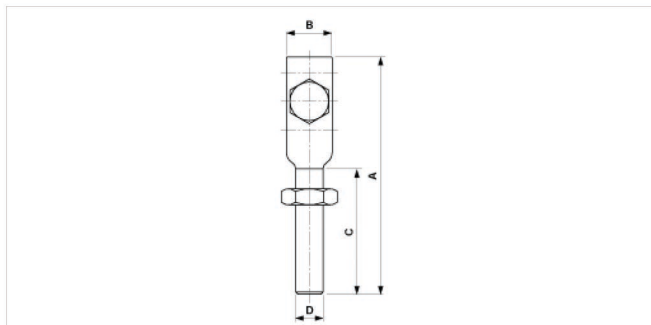


Supporting clamp for switches and crossings, 1/2", threaded length L = 55 mm

Item number D0528-01



Dimensions

B: 20 mm
A: 104 mm
C: 55 mm

D: 1/2"

Material and weight

Weight: 0.200 kg
Material: CuNiSi



Southwire™



A COLAS RAIL COMPANY

Contact Us: Transit@southwire.com