



Southwire™

JUNCTION BOXES

FEATURES

- NEMA 3 rated where indicated
- A surface mounted enclosure without entrance hubs which allows multiple conduits to be connected and wire splices made within

APPLICATION

- Appropriate round hole for conduit entrance must be cut
- Male adapters or box adapters may be used to secure conduit to the box
- May be concrete encased or buried (not warranted or listed to be watertight for all circumstances)

STANDARD MATERIAL

- PVC
- Screws - Zinc plated steel



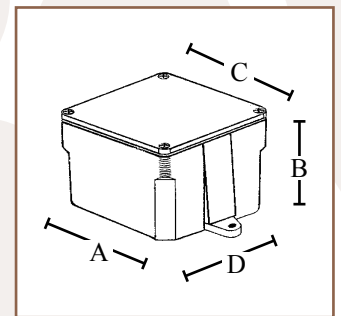
1221

PART #	INSIDE DIMENSION	MASTER QTY.	WEIGHT/CASE (LBS.)	A	B	C	D
1221*	4" X 4" X 2"	10	7	4.375"	2.375"	4.375"	4.375"
1222*	4" X 4" X 4"	10	11	4.25"	4.375"	4.25"	4.25"
1223*	4" X 4" X 6"	10	15	4.25"	6.3125"	4.25"	4.25"
1224*	5" X 5" X 2"	10	9	5.25"	2.3125"	5.25"	5.25"
1225TZ*	6" X 6" X 4"	10	23	6.375"	4.375"	6.75"	6.375"
1226*	6" X 6" X 6"	5	14	6.375"	6.3125"	6.6875"	6.375"
1227*	8" X 8" X 4"	5	18	8.50"	4.50"	8.875"	8.50"
1228	8" X 8" X 6"	4	18	8.3125"	6.4375"	9"	8.3125"
1229*	8" X 8" X 7"	4	21	8.75"	7.75"	9"	8.75"
1230TZ*	12" X 12" X 4"	2	14	12.50"	4.4375"	12.875"	12.50"
1231*	12" X 12" X 6"	2	18	12.375"	6.50"	12.875"	12.375"
1232*	16" X 14" X 6"	1	12	16.75"	6.75"	17.125" X 15.125"	14.75"
1233**	24" X 18" X 8"	1	23	24.125"	8.25"	24.25" X 18.75"	18.25"
1234†	24" X 24" X 8"	1	36	24.25"	8.25"	24.1875"	24.25"
1235TZ†	36" X 24" X 8"	1	34	24.25"	8.25"	24.25" X 36.25"	36.25"

* NEMA 3 rated

** UL listed with only a Type 1 NEMA rating

† Not UL listed



Rev. 0, 03/23

**BUILT FOR DURABILITY.
BUILT FOR RELIABILITY.
BUILT FOR WORK.™**

1-855-798-6657 | SOUTHWIRE.COM

©2023 Southwire Company, LLC. All rights reserved.
*Registered Trademark & ™Trademark of Southwire Company, LLC.