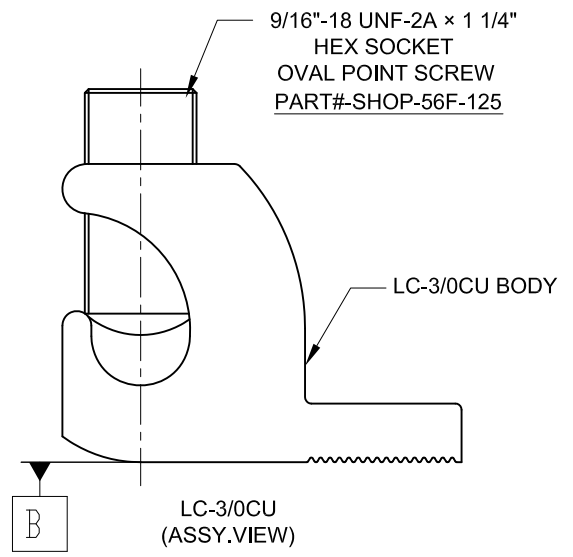
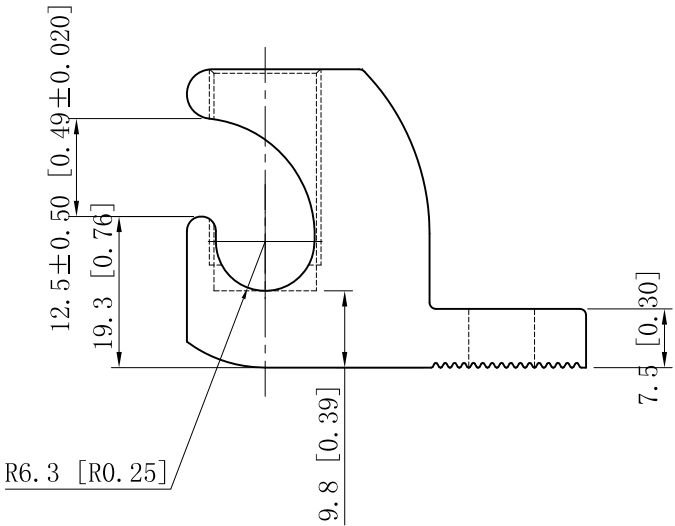
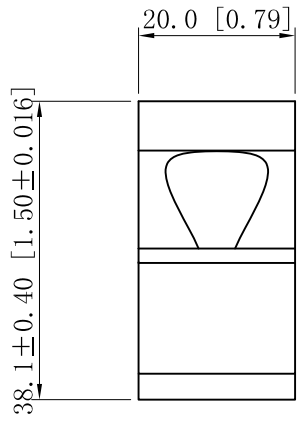
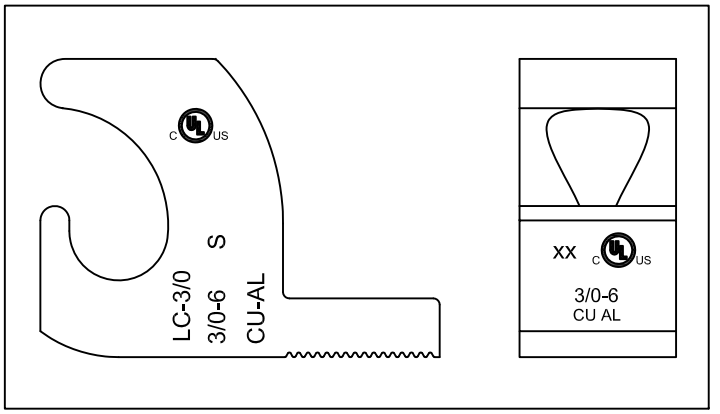
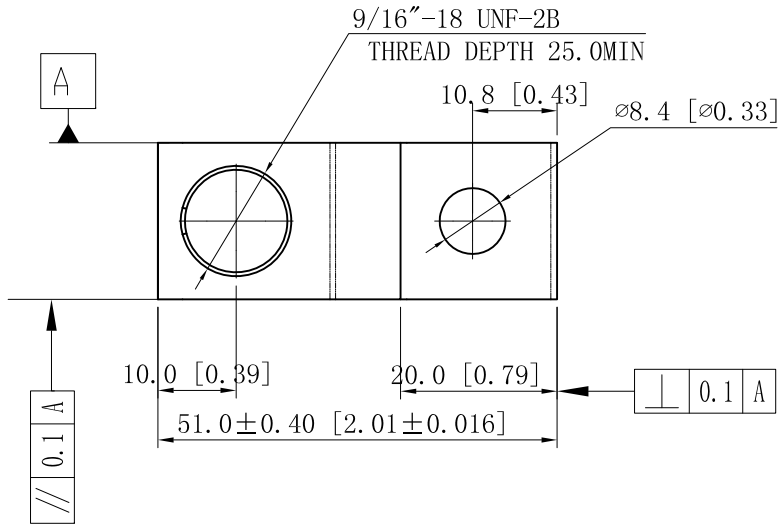


SIDES	BOTTOM
Material: COPPER C110/C101	



This data sheet is for reference only .GARVIN INDUSTRIES reserves the right to make changes to the design without prior notice.

DESCRIPTION
TRADE REFERENCE TERMS

STANDARD PACKING	GARVIN INDUSTRIES		
	#3/0-#6 COPPER LAY-IN LUG		
	SIZE A4	DWG NO. 3/0-6CL	REV A
	DATA SHEET		