

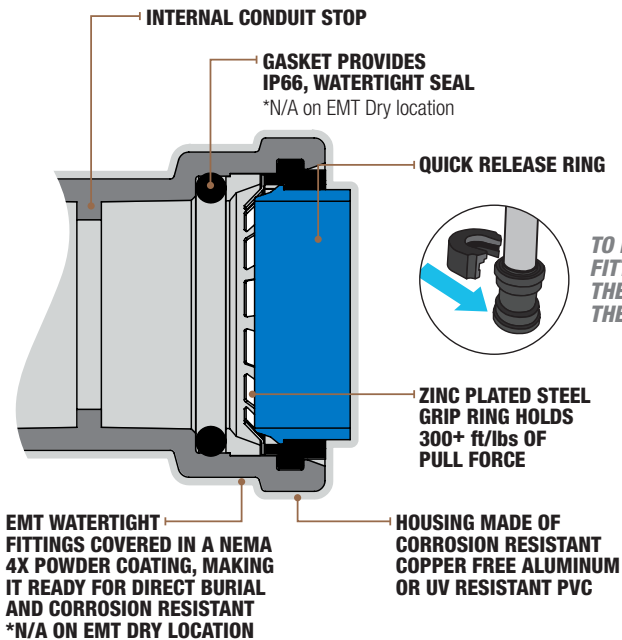
## EMT PULL ELBOW CONNECTORS

### 1/2" – 1-1/4"

Southwire<sup>®</sup> SIMPush<sup>™</sup> EMT pull elbow connectors are used for joining UL-approved thin wall EMT to form a 90° bend connecting to a box.

#### FEATURES:

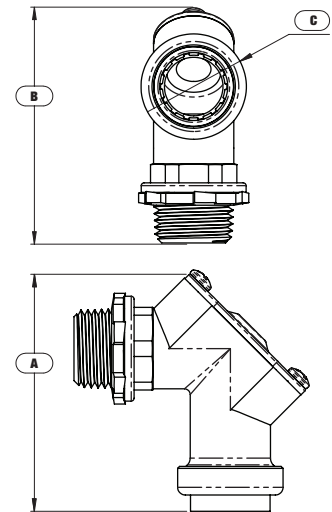
- Corrosion-resistant copper-free diecast aluminum construction
- Provides continuous ground
- Internally coated with lubricating grease
- Tested to 100 removal cycles for reuse
- Locking teeth are constructed from zinc-plated steel
- Body door is domed aluminum construction with zinc-plated steel screws
- Includes zinc-plated steel lock nut



**CERTIFICATIONS/RATINGS:**  
**E-FILE #: E474447**



DFTMPE050, DFTMPE075,  
DFTMPE100, DFTMPE125



Stock #	Model #	Trade Size	Quantity Per Box	H (in.) A	W (in.) B	L (in.) C	Associated Removal Tool Model #	Removal Tool Included
<b>CONTRACTOR PACK</b>								
65072202	E-PB-050WT	1/2"	25	2.51	2.522	1.105	E-RT-1P	YES
65072302	E-PB-075WT	3/4"	15	2.981	2.882	1.282	E-RT-1P	YES
65072402	E-PB-100WT	1"	7	3.677	3.622	1.6	E-RT-P2	YES
65072502	E-PB-125WT	1-1/4"	6	4.515	4.378	2.09	E-RT-P2	YES

Project Name:

Contractor:

Address:

**BUILT FOR DURABILITY.  
BUILT FOR RELIABILITY.  
BUILT FOR WORK.™**

1-855-798-6657 | [SOUTHWIRETOOLS.COM](http://SOUTHWIRETOOLS.COM)

©2020 Southwire Company, LLC. All rights reserved.  
\*Registered Trademark & ™Trademark of Southwire Company, LLC.