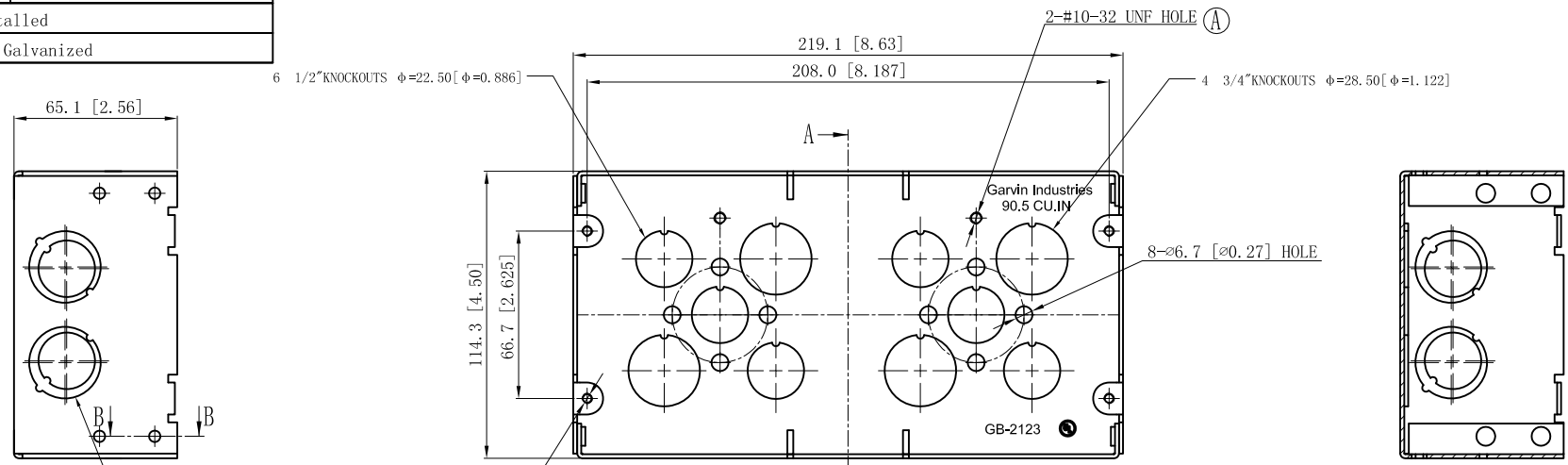
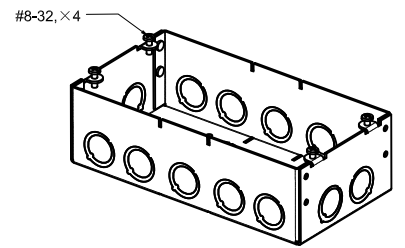
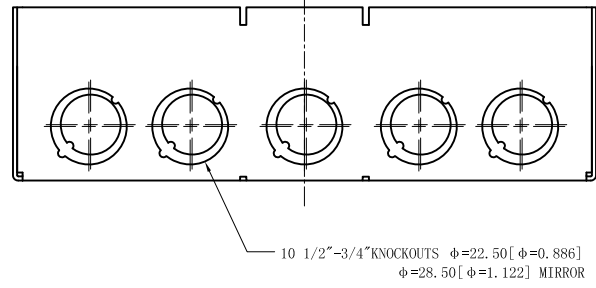
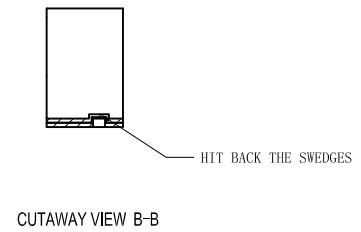


SIDES	BOTTOM
14 1/2"-3/4" KNOCKOUTS	6 1/2" KNOCKOUTS
	4 3/4" KNOCKOUTS
4 PCS 8-32x1/2 Screws Installed	
Material: Steel-0.0625"-G60 Galvanized	



CUTAWAY VIEW A-A



This data sheet is for reference only .GARVIN INDUSTRIES reserves the right to make changes to the design without prior notice.

DESCRIPTION
TRADE REFERENCE TERMS

STANDARD PACKING
20 PCS

TITLE		GARVIN INDUSTRIES	
2-1/2" DEEP MULTI-GANG BOXES			
SIZE	DWG NO.		
A4	GB-2123		
DATA SHEET			
			REV E