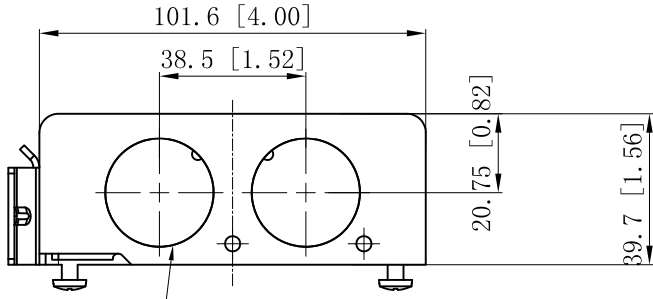
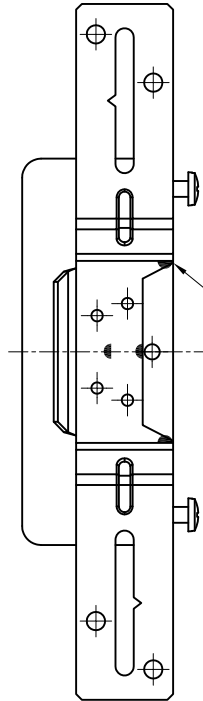


SIDES	BOTTOM
6 3/4" KNOCKOUTS	3 1/2" KNOCKOUTS
	2 3/4" KNOCKOUTS
2 PCS 8-32×1/2 Screws Installed	
Material: Steel-0.0625"-G60 Galvanized	



4 3/4" KNOCKOUTS $\phi = 28.50$ [$\phi = 1.122$]

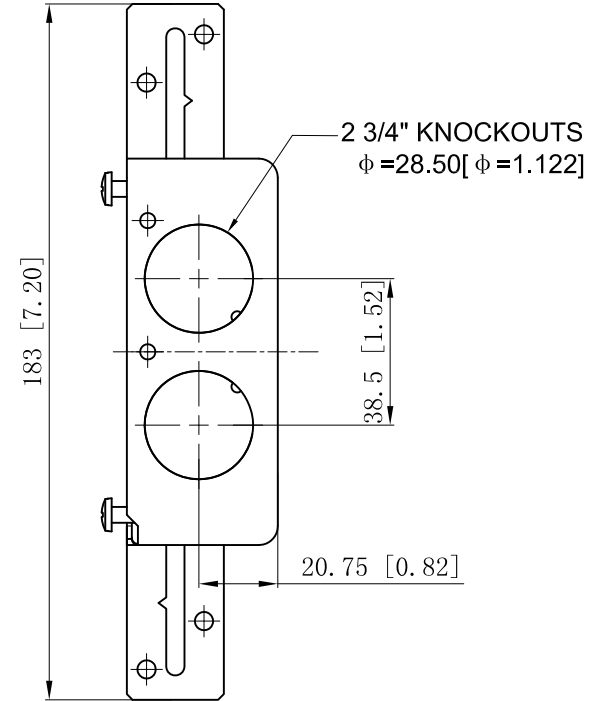
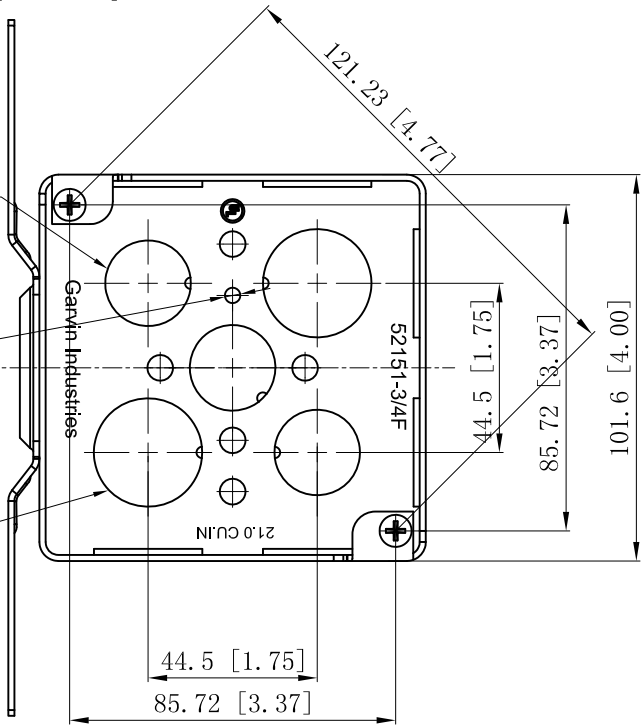


3 1/2" KNOCKOUTS $\phi = 22.50$ [$\phi = 0.886$]

4 PLACES SPOT WELDING

#10-32 UNF

2 3/4" KNOCKOUTS $\phi = 28.50$ [$\phi = 1.122$]



This data sheet is for reference only. GARVIN INDUSTRIES reserves the right to make changes to the design without prior notice.

DESCRIPTION
TRADE REFERENCE TERMS

STANDARD PACKING
25 PCS

GARVIN INDUSTRIES	
4" SQUARE BOXES 1-1/2" DEEP	
SIZE A4	DWG NO. 52151-3/4F
DATA SHEET	
REV A	